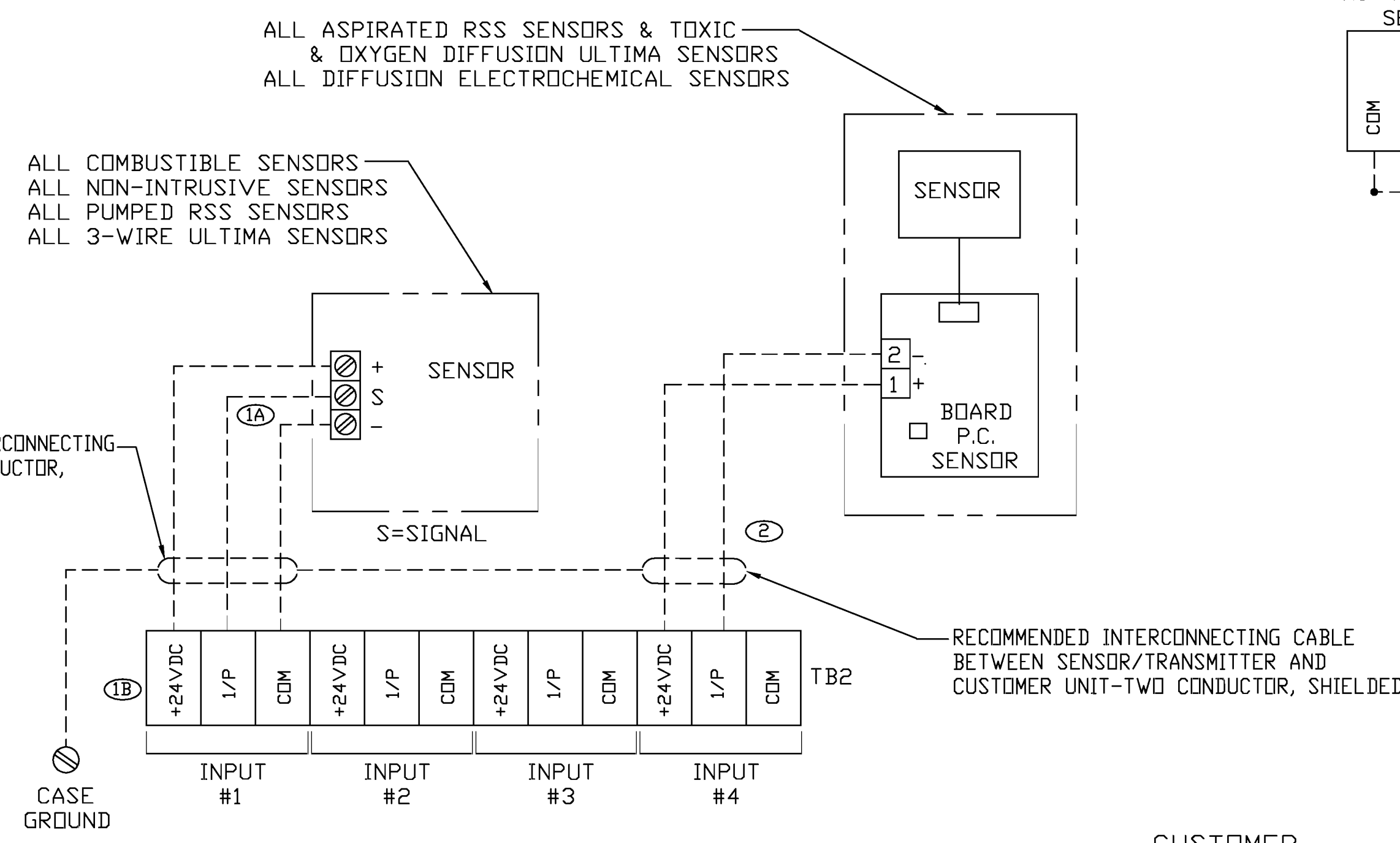
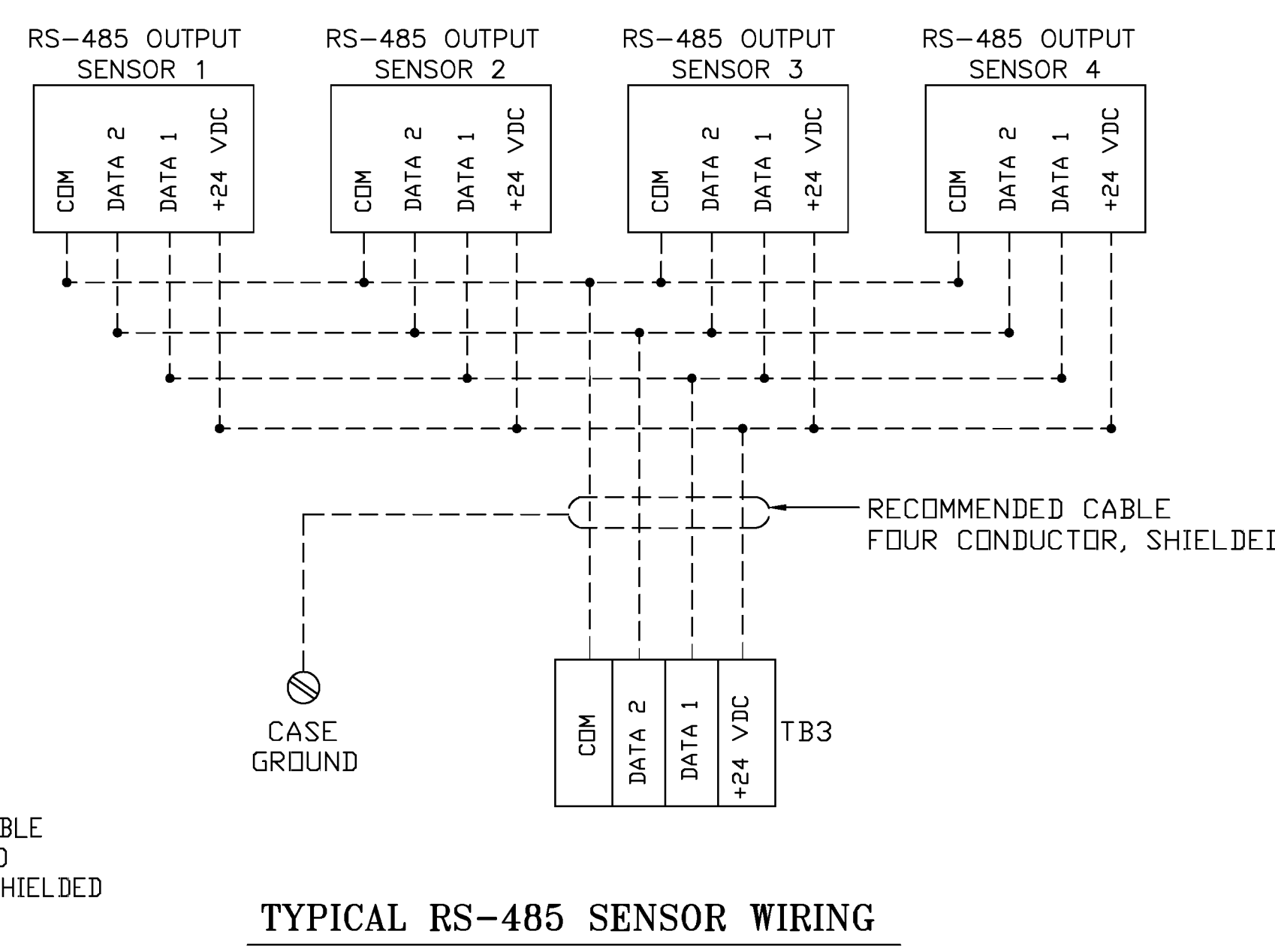


PARTS LIST				REVISIONS
ITEM NO.	PART NO. DRAWING NO.	REQ'D	DESCRIPTION	
				JUL 16 1997
①			A-SENSOR 'S' & 'L' CONNECTIONS WERE REVERSED. B-TB2 CONNECTIONS 'COM' & '+24VDC' WERE REVERSED. ECO24942	1-7-98
			MMB RJC	
				JAN 15 1998
②			REVISED PICTORIAL ECO-50000146447 BJP DWG	12-10-01
				DEC 18 2001



TYPICAL 4-20mA SENSOR WIRING



TYPICAL RS-485 SENSOR WIRING

- NOTES:
- DASHED LINES INDICATE FIELD CONNECTIONS BY OTHERS.
 - DIMENSIONS SHOWN IN INCHES (MILLIMETERS).
 - CABLE WIRING SIZE FOR SENSORS: SEE SENSOR MANUAL OR SENSOR INSTALLATION OUTLINE DRAWING.
 - WEIGHT: 11LBS. (5KG).
 - ENCLOSURE CLASSIFICATION: DESIGNED FOR NEMA 4X.
 - 24 VOLTS DC CAN BE THE BACKUP POWER WHEN THE UNIT IS POWERED WITH 117/220 VA. THIS CAN FORM A NON-INTERRUPTIBLE SYSTEM.
 - RELAYS RATING: FORM C, 10AMPS @ 125 VAC - (SPDT).
 - APPROVALS: CSA NRTL/C

QTY.

215345	QUAD GAS II, GAS MONITORING SYSTEM, 110 VOLTS AC
216322	QUAD GAS II, GAS MONITORING SYSTEM, 220 VOLTS AC

CUSTOMER _____
P.O. # _____
MSA # _____
LOCATION _____
TAG # _____
TOTAL NO. OF UNITS _____

DOCUMENT CONTROLLED BY	FILE REF. NO. J001-004	THIS DRAWING IS THE PROPERTY OF MINE SAFETY APPLIANCES COMPANY, PITTSBURGH, PENNSYLVANIA, AND IS MADE AVAILABLE TO YOU IN CONFIDENCE AND SUBJECT TO THE FOLLOWING NO PERMISSION IS GRANTED TO PUBLISH, USE, REPRODUCE, TRANSMIT OR DISCLOSE THIS DRAWING, OR ANY INFORMATION OR IDEA CONTAINED THEREIN TO OTHERS WITHOUT THE PRIOR WRITTEN CONSENT OF MINE SAFETY APPLIANCES COMPANY EXCEPT FOR THE MANUFACTURE OF ARTICLES FOR MINE SAFETY APPLIANCES COMPANY.		DO NOT SCALE DWG.
INTERCHANGEABLE-PART	MINE SAFETY APPLIANCES COMPANY PITTSBURGH, PA.	MINE SAFETY APPLIANCES COMPANY		SCALE N.T.S.
AUTHORIZED COUNTRY	M.S.A. STANDARD SHOP PRACTICES APPLY	DRAWN BY M.M.BANKERT	DATE 3-21-97	JOB NO. E610970
AUER	M. EAST	CHECKED BY PAUL SCHMITT	DATE 7-14-97	AGENCY CONTROLLED
AUSTRALIA	MSA EUROPE	PROJECT ENGINEER PAUL SCHMITT	DATE 7-14-97	YES
BRAZIL	NETHERLANDS	QUALITY ASSURANCE KEVIN MCKEIGUE	DATE 7-11-97	NO
CANADA	PERU	MANUFACTURING GARY SEIGH	DATE 7-11-97	
CHILE	S.E. ASIA			
CHINA	FRANCE			
RED = R	VIOLET = V			
ORANGE = O	GRAY = A			
YELLOW = Y	WHITE = W			
PINK = P	TAN = T			

INSTALLATION OUTLINE
QUAD GAS II, COMMON RELAYS
DSK3015-327