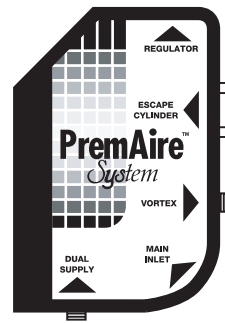


PremAire

System



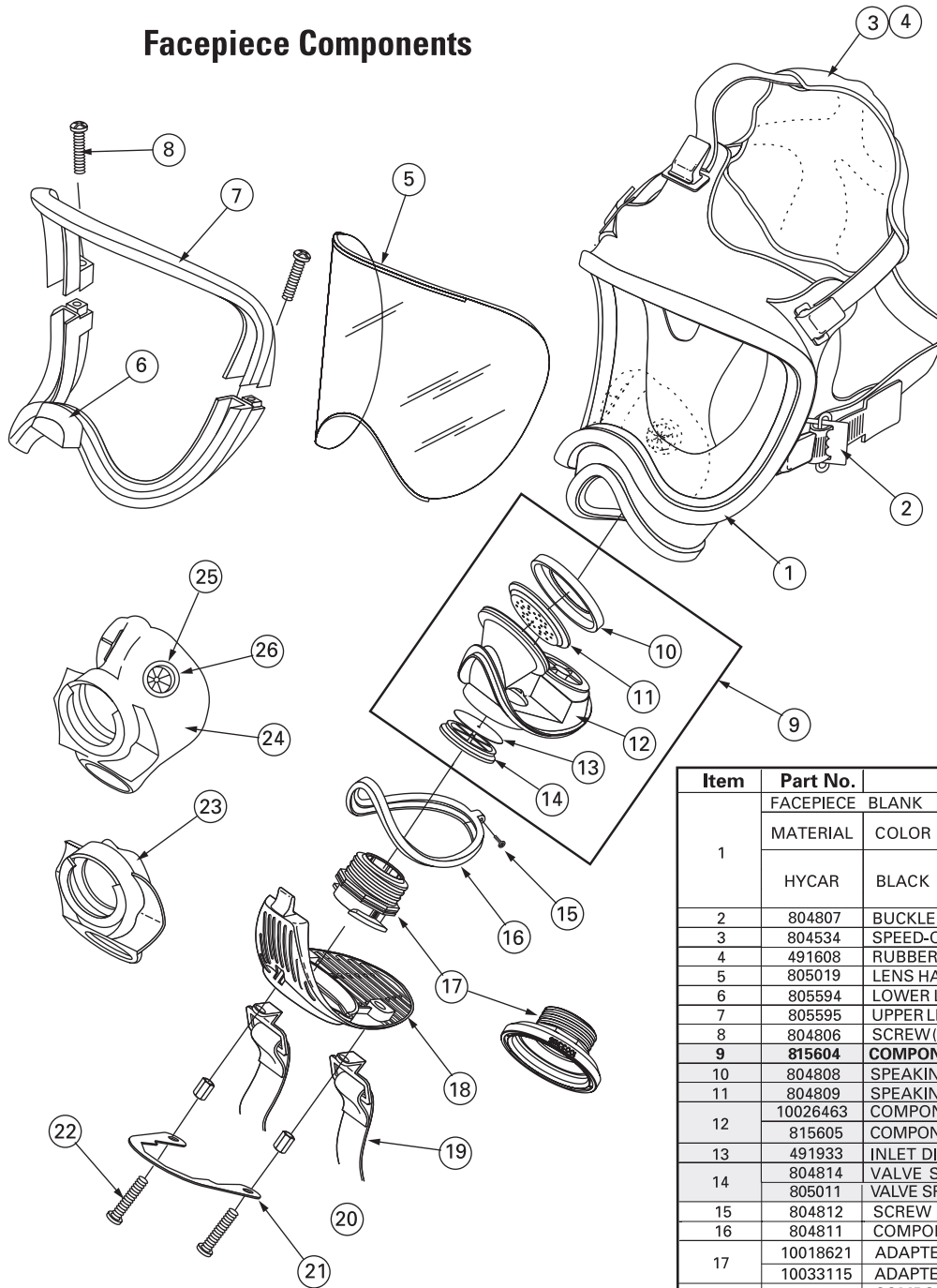
For More Information, call 1-800-MSA-2222 or Visit Our Website at www.MSAafety.com

MINE SAFETY APPLIANCES COMPANY
CRANBERRY TWP., PENNSYLVANIA, U.S.A. 16066

Ultra Elite™

pressure demand facepiece (NON NFPA)

Facepiece Components

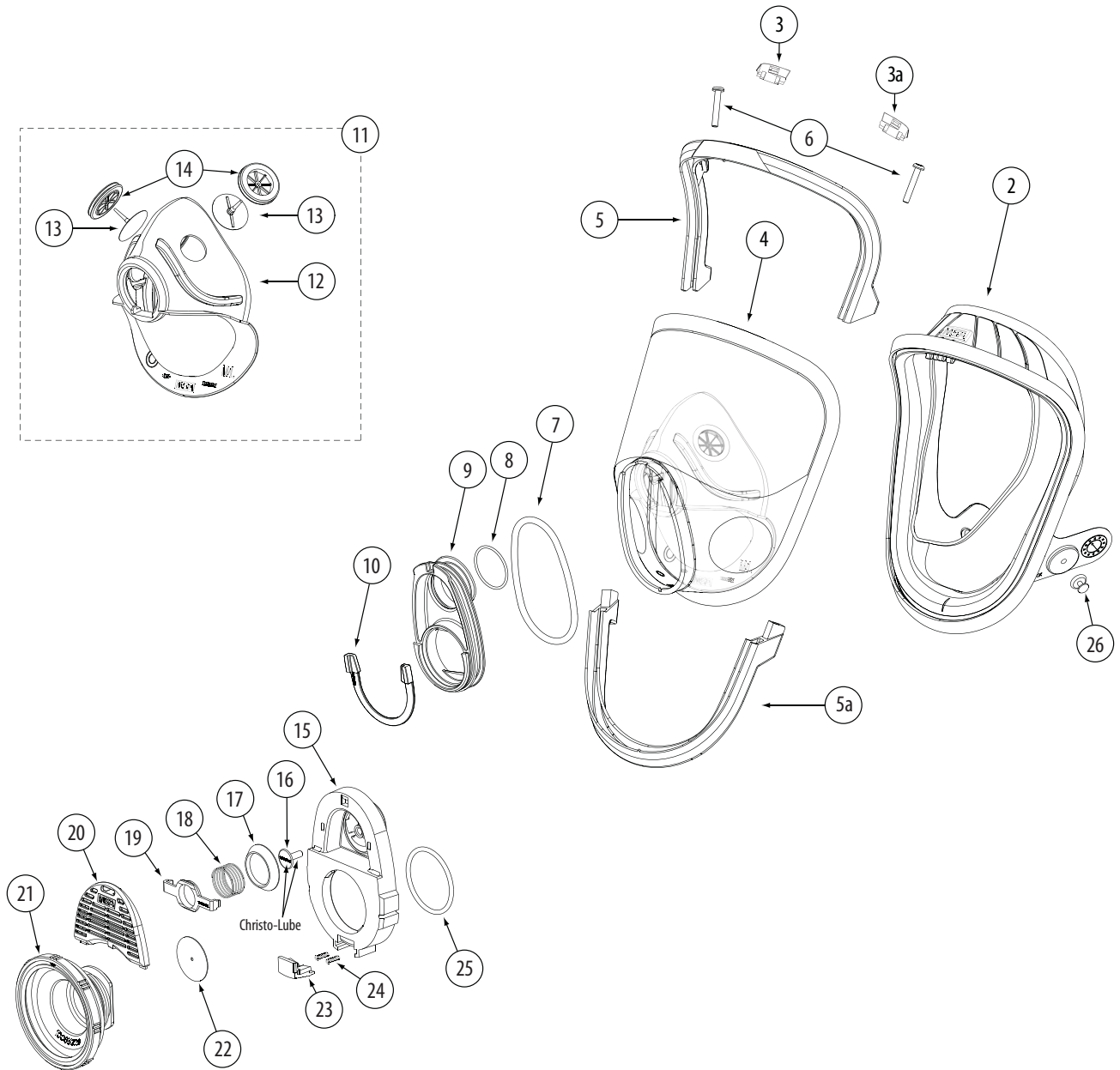


Item	Part No.	Description		
1	FACEPIECE BLANK			
	MATERIAL	COLOR	FACEPIECE BLANKS	FACEPIECE ASSEMBLY
	HYCAR	BLACK	495242 (Small)	808916 (Small)
			495239 (Medium)	808911 (Medium)
495245 (Large)			808921 (Large)	
2	804807	BUCKLE ASSEMBLY WITH D-RING		
3	804534	SPEED-ON HARNESS ASSEMBLY (with buckles)		
4	491608	RUBBER HARNESS (with Buckles)		
5	805019	LENS HARDCOAT		
6	805594	LOWER LENS RING		
7	805595	UPPER LENS RING		
8	804806	SCREW (2)		
9	815604	COMPONENT HOUSING ASSEMBLY (complete)		
10	804808	SPEAKING DIAPHRAGM RETAINER		
11	804809	SPEAKING DIAPHRAGM		
12	10026463	COMPONENT HOUSING ASS'Y (COMPLETE)		
	815605	COMPONENT HOUSING ONLY w/EXHALATION VALVE		
13	491933	INLET DISC		
	804814	VALVE SPIDER		
14	805011	VALVE SPIDER (FIREHAWK)		
15	804812	SCREW		
16	804811	COMPONENT HOUSING RING		
	10018621	ADAPTER ASS'Y (SLIDE)		
	10033115	ADAPTER ASS'Y (Push-To-Connect)		
17	804819	COMPONENT HOUSING COVER (Black)		
	10034500	COMPONENT HOUSING COVER (Black) SLIDE		
18	804829	NECKSTRAP		
19	804829	NECKSTRAP		
20	804829	NECKSTRAP		
21	804829	NECKSTRAP		
22	10032208	COMPONENT HOUSING SCREWS		
NOSECUP ASSEMBLY (with valves)				
24	495188	MEDIUM BLACK		
	495189	LARGE BLACK		
25	804822	VALVE SEAT (kit)		
26	804823	VALVE DISC (kit)		

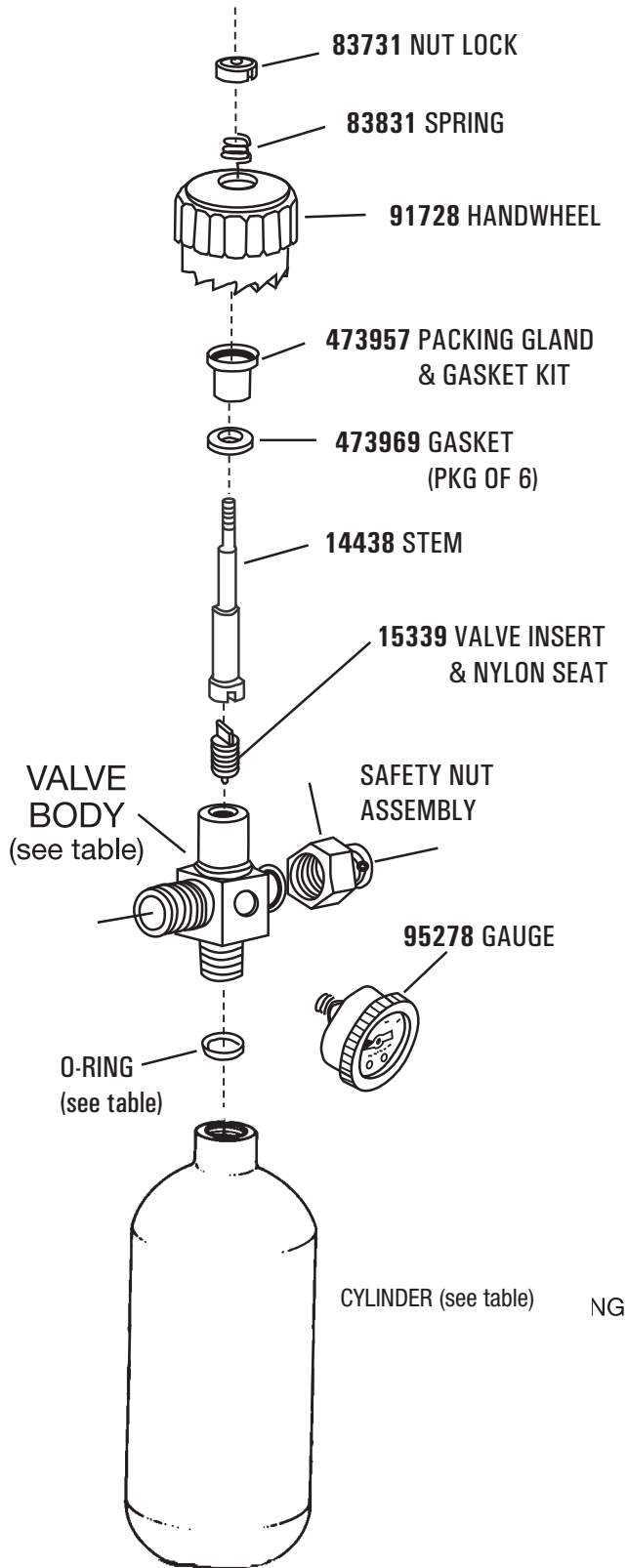
Advantage 4000 Facepiece

Item	P/N	Description
1	10083797	Hycar® Facepiece Assembly, Small
	10083793	Hycar Facepiece Assembly, Medium
	10008301	Hycar Facepiece Assembly, Large
	10083796	Silicone, Facepiece Assembly, Small
	10083792	Silicone, Facepiece Assembly, Medium
	10083800	Silicone, Facepiece Assembly, Large
2	10073455	Hycar Faceblank, Small
	10073459	Hycar Faceblank, Medium
	10073457	Hycar Faceblank, Large
	10083926	Silicone Faceblank, Small
	10083925	Silicone Faceblank, Medium
	10083927	Silicone Faceblank, Large
3	10028302	Right Adapter Clip
3a	10027774	Left Adapter Clip
4	10074738	Single Port Lens, 4100-H
	10084808	Single Port Lens, 4100-S
5	10073460	Upper Lens Ring
5a	10073461	Lower Lens Ring
6	10026562	Screw (2 req'd)
7	10025297	Housing O-Ring
8	10084819	O-Ring
9	10061973	Inlet Housing
10	10061996	U-Clip
11	10090392	Nosecup Assembly, Small
	10090391	Nosecup Assembly, Medium/Large
12	10065306	Nosecup, Small
	10065305	Nosecup, Medium/Large
13	804823	Inlet Check Valve Disc (2 req'd)
14	804822	Inlet Check Valve Seat (2 req'd)
15	10065329	Component Housing
16	10061994	Stem
17	10061995	Exhalation-valve
18	10081456	Exhalation Spring
19	10061998	Spring Retainer
20	10061974	Exhalation-valve Cover
21	10061978	Push-to-Connect Adapter
22	10065085	Inhalation Valve
23	10061976	Locking Button
24	10065303	Spring (2 req'd)
25	10065301	O-Ring
26	10025288	Head Harness Button (2 req'd)
	10029294	Lens Cover (Not Shown)
	10075903	Cloth Net Head Harness (Not Shown)
	10075901	Silicone Head Harness (Not Shown)
	10107784	Kevlar Net Head Harness (Now Shown)
	604070	Christo-Lube Lubricant (Not Shown)
	465008	Drawstring Bag (Not Shown)

Advantage 4000 Facepiece

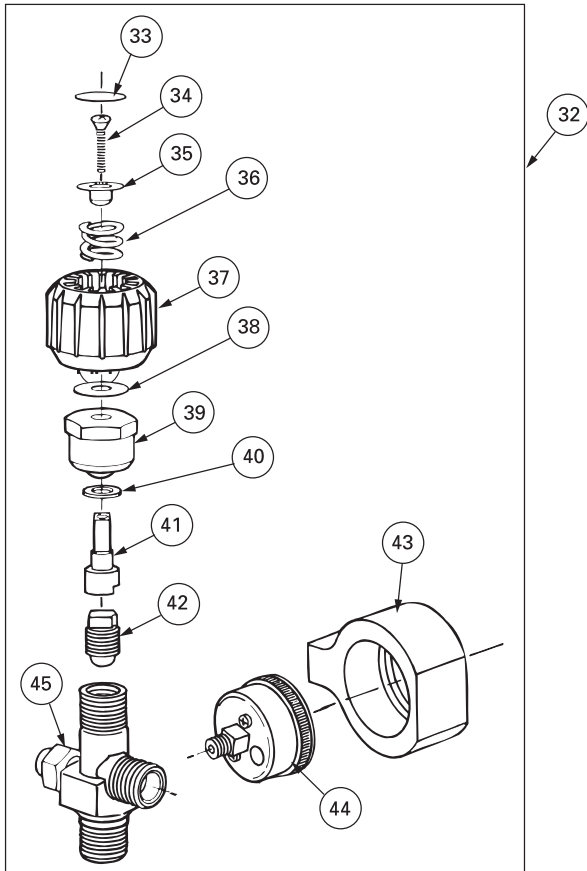


10042420-SP — Cylinder (Carbon) and Valve Assembly
10042423-SP — Cylinder (Carbon) and Valve Assembly
802191-SP — Cylinder (Aluminum) and Valve Assembly
818159-SP — Cylinder (Aluminum) and Valve Assembly

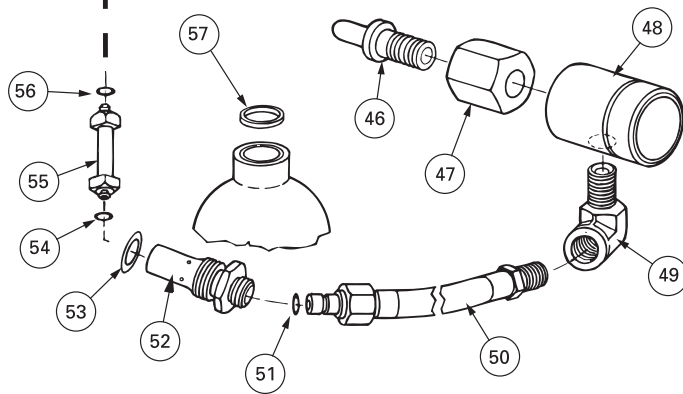


Cylinder	Valve Ass'y	Valve Body	O-RING
Carbon	10002083	818108	633549
Aluminum 3000	10002084	818109	633550
Aluminum 2216	818158	818110	68542

Escape Cylinder Kit



ESCAPE CYLINDER		
31	10042420-SP	5 MINUTE CARBON (includes valve assembly)
	10042423-SP	10 MINUTE CARBON (includes valve assembly)
	802191-SP	10 MINUTE ALUMINUM (includes valve assembly)
	818159-SP	5 MINUTE ALUMINUM (includes valve assembly)
32	492554	VALVE ASSEMBLY
33	492581	LABEL
34	635435	SCREW
35	635434	FERRULE SPRING
36	635436	SPRING
37	492252	HANDWHEEL
38	495641	GASKET
39	635439	NUT
40	635443	PACKAGING GASKET
41	635438	STEM
42	635440	INSERT AND NYLON SEAT
43	470735	GAUGE GUARD
44	95278	GAUGE
45	635442	SAFETY NUT



Item	Part No.	Description
1	497131	MANIFOLD PLUG ASSEMBLY To Install escape Cylinder Remove plug assembly
2	631604	O-RING
3	496697	MANIFOLD ASSEMBLY
4	496880	MANIFOLD
5	636159	PLUG
6	496884	BELT BRACKET
7	636165	SCRE W (3 REQUIRED)
8	636159	PLUG
		QUICK DISCONNECT SOCKET LOCKING TYPES
9	636489	CEJN
	636466	SNAPTITE, ALUMINUM
	638522	SNAPTITE, STANLESS STEEL
	638520	FOSTER, STANLESS STEEL
10		DUAL SUPPLY KIT
11	497201	EXTENSION HOSE 8" inches
	492871	EXTENSION HOSE 15" inches
12	630326	CHECK VALVE
13	811940	FILTER ASSEMBLY
	811984	REPLACEMENT FILTER KIT
14	53858	ADAPTER
15		QUICK DISCONNECT SOCKET (See Table Chart)
		VORTEX TUBE (with Elbow)
16	497185	COOL TUBE
	800699	WARM/COOL TUBE
		HOSE
17	496805	6 INCHES
	801011	12 INCHES
		QUICK DISCONNECT SOCKET
18	628770	FOSTER/ST
	66272	SNAPTITE (SHOWN)
	636757	SCRE W (2 REQUIRED)
		VORTEX BRACKET
20	800692	WARM/COOL
	496883	COOL
		QUICK DISCONNECT PLUG
21	56549	FOSTER/ST
	66273	SNAPTITE (1/4 NPM)
22	633541	QUICK DISCONNECT SOCKET (3/8 NPT)
23	496881	BRACKET ASSEMBLY
		QUICK DISCONNECT PLUG
24	633539	3/8 NPT
	635172	1/4 NPT
25	631468	ELBOW 1/4 NPT
26	491574	MUFFLER
27		BULKHEAD FITTINGS
28		ADAPTER
29	491566	O-RING
30		WASHER
46	85109	FITTING AIR NOSE BALL
47	75223	COUPLING NUT
48	493660	REGULATOR ASSEMBLY (includes coupling air nut and fitting air nose ball)
49	631468	ELBOW
		HOSE
50	497261	4 INCH LEFT HIP
	497234	18 INCH RIGHT HIP
	804607	21 INCH RIGHT HIP
51	63198	O-RING
52	496286	PLUNGER HOUSING
53	631604	O-RING
54	631610	O-RING
55	476136	PLUNGER REGULATOR
56	631610	O-RING
57	633549	O-Ring

Firehawk Mask Mounted Regulator

Component		Regulator Assembly							
		10050147	10050148	10050149	10050150	10050151	10050152	10050153	10050154
1	Diaphragm, Silicone	10018540	•	•	•	•	•	•	•
2	U-Clip	10018547	•	•	•	•	•	•	•
3	Retainer, Spring	10018622	•	•	•	•	•	•	•
4	Spring, Button	10018965	•	•	•	•	•	•	•
5	Hose, 30", QC	10033174			•				•
	Hose, 42", QC	10033175			•				•
	Hose, 30", No QC	10033177	•				•		
	Hose, 42", No QC	10033176		•				•	
6	Spring, Diaphragm	10020931	•	•	•	•	•	•	•
7	Oring, Viton, Black	10023509	•	•	•	•	•	•	•
8	Oring, Buna-N, Black	10037951	•	•	•	•	•	•	•
9	Button, PTC	10024111	•	•	•	•	•	•	•
10	Button, STC	10024112				•	•	•	•
	Button, PTC	10024111	•	•	•	•			
11	Valve Assembly	10087295	•	•	•	•	•	•	•
12	Housing, Regulator	10087304	•	•	•	•	•	•	•
13	Cover, Purge	10026139	•	•	•	•	•	•	•
14	Seal Ring	10031192	•	•	•	•	•	•	•
15	Insert	10032091	•	•	•	•	•	•	•
*	Lubricant	604070	•	•	•	•	•	•	•

* Lubricant 604070 must be applied to components marked with an asterisk. Refer to the maintenance manual for instructions.

Second stage critical repair parts contained within the black outlined box must be installed by CARE trained and certified repair technicians and tested with an MSA approved dynamic flow tester.

Firehawk Mask Mounted Regulator

		Regulator Assembly															
Component		10033116	10033117	10033118	10033119	10050031	10050032	10050361	10050493	10033170	10033171	10033172	10033173	10050033	10050034	10050360	10050492
1	O-ring, Silicone, Red	697453	*	*	*	*	*	*	*	*	*	*	*	*	*	*	*
2	O-ring, Fluoro., Blue	634669	*	*	*	*	*	*	*	*	*	*	*	*	*	*	*
3	Diaphragm, Silicone	10018540	*	*	*	*	*	*	*	*	*	*	*	*	*	*	*
4	U-Clip	10018547	*	*	*	*	*	*	*	*	*	*	*	*	*	*	*
5	Retainer, Spring	10018622	*	*	*	*	*	*	*	*	*	*	*	*	*	*	*
6	Knob, Bypass	10018774	*	*	*	*	*	*	*	*	*	*	*	*	*	*	*
7	Spring, Button	10018965	*	*	*	*	*	*	*	*	*	*	*	*	*	*	*
8	Body, Bypass	10018966	*	*	*	*	*	*	*	*	*	*	*	*	*	*	*
9	Insert, Bypass	10018971	*	*	*	*	*	*	*	*	*	*	*	*	*	*	*
10	Hose, 30", QC	10033174	*	*	*	*	*	*	*	*	*	*	*	*	*	*	*
	Hose, 42", QC	10033175	*	*	*	*	*	*	*	*	*	*	*	*	*	*	*
	Hose, 30", No QC	10033177	*	*	*	*	*	*	*	*	*	*	*	*	*	*	*
	Hose, 42", No QC	10033176	*	*	*	*	*	*	*	*	*	*	*	*	*	*	*
11	Screen, Bypass	10020784	*	*	*	*	*	*	*	*	*	*	*	*	*	*	*
12	Spring, Diaphragm	10020931	*	*	*	*	*	*	*	*	*	*	*	*	*	*	*
13	O-ring, Viton, Black	10023509	*	*	*	*	*	*	*	*	*	*	*	*	*	*	*
14	O-ring, Buna-N, Black	10037951	*	*	*	*	*	*	*	*	*	*	*	*	*	*	*
15	Button, PTC	10024111	*	*	*	*	*	*	*	*	*	*	*	*	*	*	*
16	Button, STC	10024112	*	*	*	*	*	*	*	*	*	*	*	*	*	*	*
	Button, PTC	10024111	*	*	*	*	*	*	*	*	*	*	*	*	*	*	*
17	Valve Assembly	10087295	*	*	*	*	*	*	*	*	*	*	*	*	*	*	*
18	Housing, Regulator	10087304	*	*	*	*	*	*	*	*	*	*	*	*	*	*	*
19	Cover, Purge	10026139	*	*	*	*	*	*	*	*	*	*	*	*	*	*	*
	Cover, Non-Purge	10047406	*	*	*	*	*	*	*	*	*	*	*	*	*	*	*
20	Seal Ring	10031192	*	*	*	*	*	*	*	*	*	*	*	*	*	*	*
*	Lubricant	604070	*	*	*	*	*	*	*	*	*	*	*	*	*	*	*

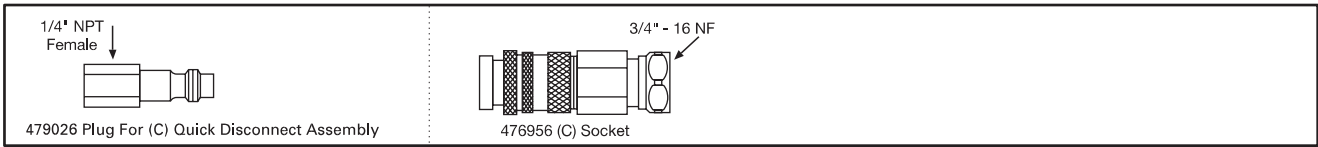
* Lubricant 604070 must be applied to components marked with an asterisk. Refer to the maintenance manual for instructions.

Second stage critical repair parts contained within the black outlined box must be installed by CARE trained and certified repair technicians and tested with an MSA approved dynamic flow tester.

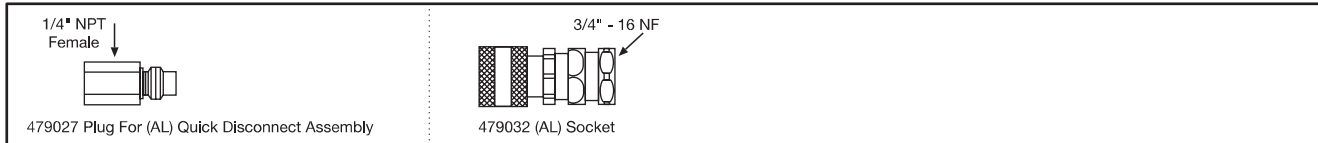
Quick Disconnects Table Chart

LOCKING TYPES

CEJN — Chrome (C)



SNAP-TITE — Aluminum (AL)

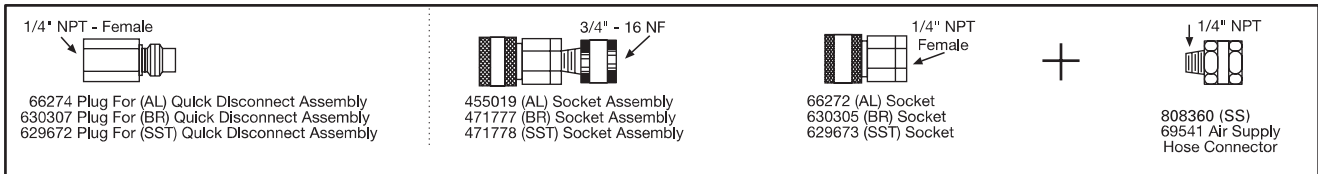


NON-LOCKING TYPES

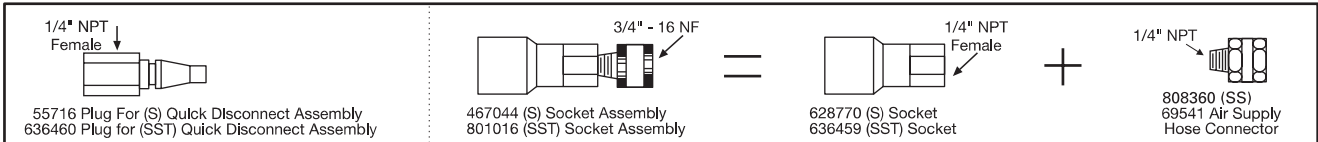
SNAP-TITE — Aluminum (AL)

Brass (BR)

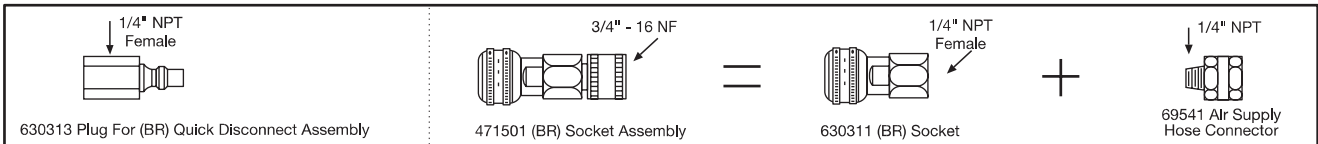
Stainless Steel (SST)



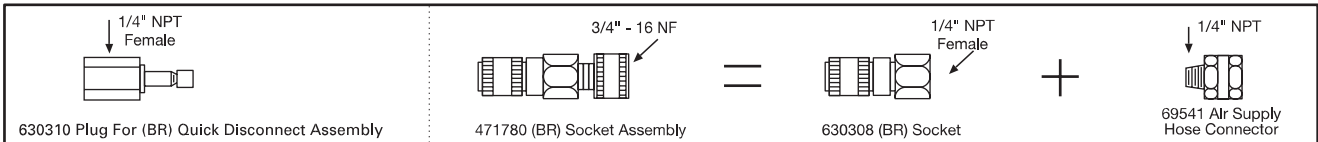
FOSTER — Steel (S) Stainless Steel (SST)



HANSEN — Brass (BR)

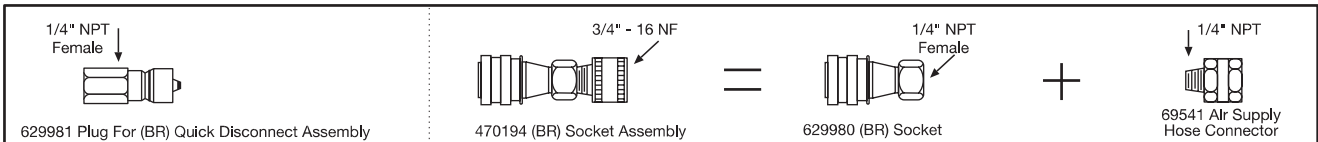


DUFF-NORTON — Brass (BR)

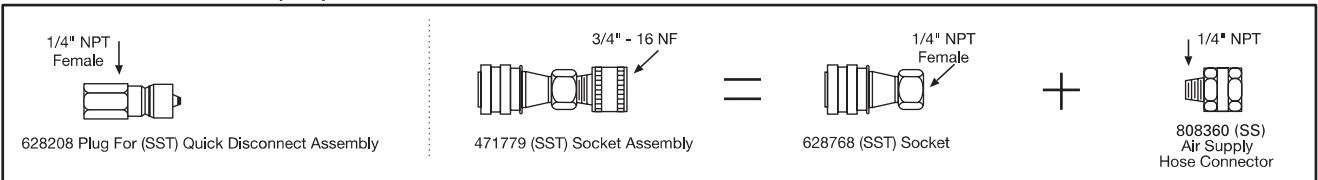


NON-LOCKING TYPES — WITH CHECK VALVE IN PLUG

FOSTER — Brass (BR)



HANSEN — Stainless Steel (SST)

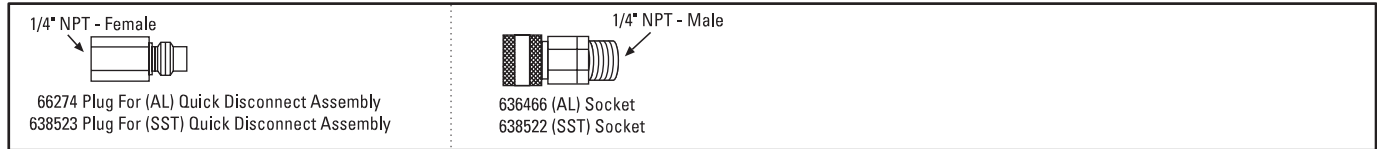


Second Stage Regulator Connections

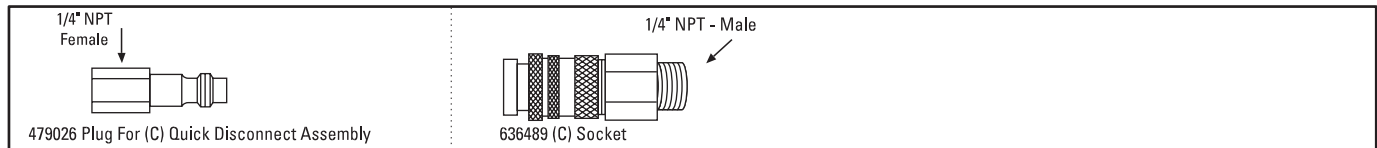
Quick Disconnect Connections

LOCKING TYPES

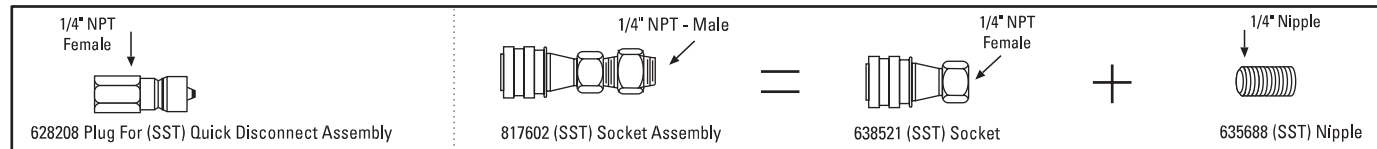
SNAP-TITE — Aluminum (AL)



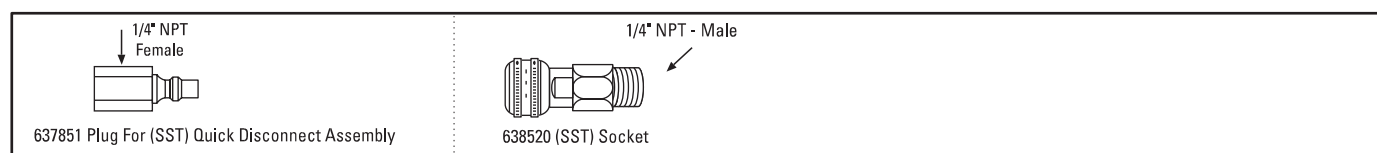
CEJN — Chrome (C)



HANSEN — Stainless Steel (SST)

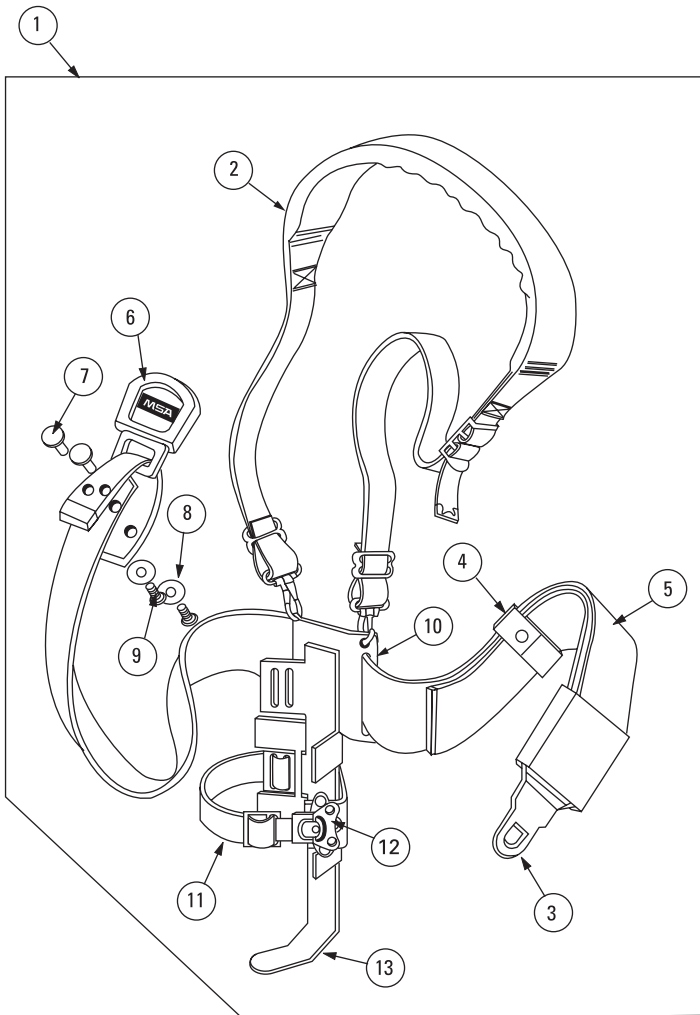
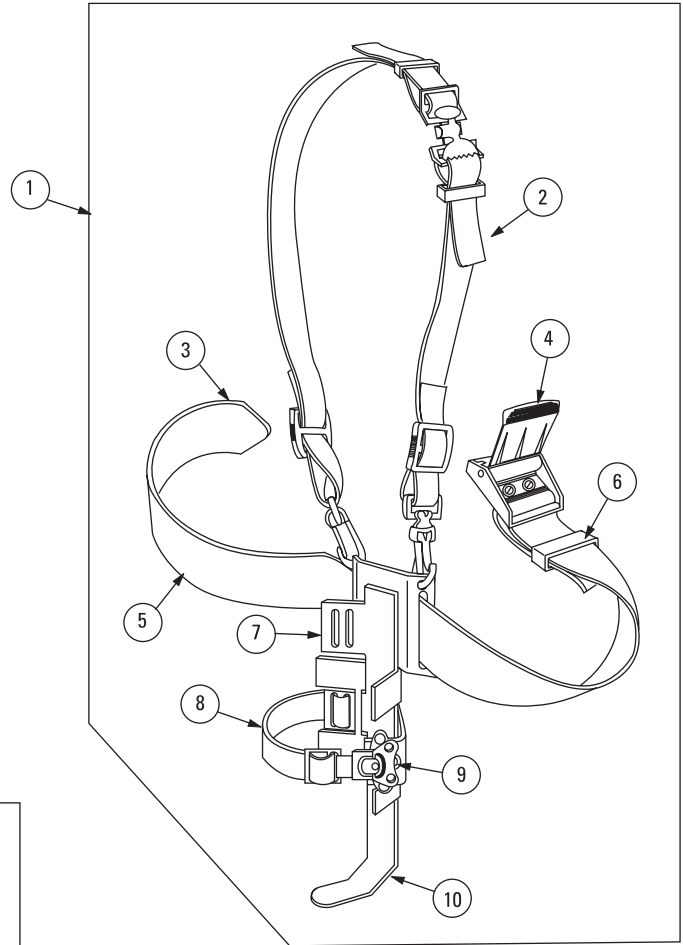


FOSTER — Stainless Steel (SST)



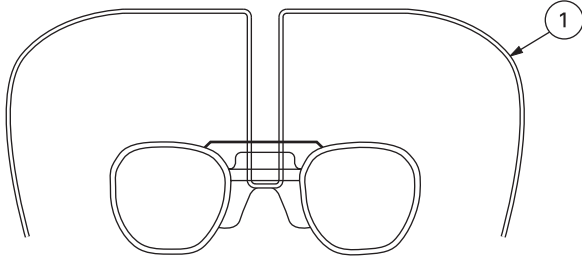
Cylinder Carrier Assembly

Item	Part No.	Description
1	494015	CARRIER URETHANE
2	492737	SHOULDER STRAP
3	492827	BELT ASSEMBLY
4	497655	BUCKLE ASSEMBLY
5	494068	BELT
6	635133	LOOP
7	492724	CYLINDER CARRIER
8	817164	CYLINDER STRAP
9	637552	LOCK AND CATCH
	66691	SCREW (2)
	66707	LOCK WASHER (2)
	61765	NUT (2)
10	492717	BRACKET

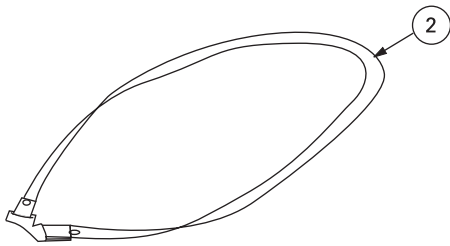


Item	Part No.	Description
1	470198	NYLON (Belt Assembly, 494030)
	802991	NOMEX (Belt Assembly, 802811)
2	474929	SHOULDER STRAP
3	635177	NYLON
	816624	NOMEX
4	474408	NYLON
	481291	NOMEX
5	475240	NYLON
	802812	NOMEX
6	630918	NYLON
	816618	NOMEX
7	66833	TEENUT (2)
8	66862	WASHER (2)
9	66309	SCREW (2)
10	492724	CYLINDER CARRIER
11	817164	CYLINDER STRAP
12	637552	LOCK AND CATCH
	66691	SCREW
	66707	LOCK WASHER
13	61765	NUT
	492717	BRACKET

Accessories



Item	Part No.	Description
1	SPECTACLE KIT	
	804638	Ultra Elite Facepiece
2	NECKSTRAP	
	804829	PBI Ultra Elite
3	REGULATOR CLIP	
	10022245	Firehawk Regulator



Accessories

Assembly Part Number	Description		
Vortex Kits			
800721	Warm/Cool Vortex less Quick Disconnects, Muffler and 6 in. hose		
800710	Warm/Cool Vortex with Snaptite Quick Disconnects, Muffler and 6 in. hose		
801014	Warm/Cool Vortex with Snaptite Quick Disconnects, Muffler and 12 in. hose		
800707	Cool Vortex less Quick Disconnects, Muffler and 6 in. hose		
800706	Cool Vortex with Snaptite Quick Disconnects, Muffler and 6 in. hose		
801012	Cool Vortex with Snaptite Quick Disconnects, Muffler and 12 in. hose		
Escape Cylinder Kits			
800696	Right Hip 5 minutes		
800697	Right Hip 10 minutes		
800694	Left Hip 5 minutes		
800695	Left Hip 10 minutes		
Dual Supply Kit			
496533	Snaptite/Al Quick Disconnect with 8 in. hose		
496531	Foster/Steel Quick Disconnect with 8 in. hose		
496549	Snaptite/Al Quick Disconnect less hose		
496547	Foster/Steel Quick Disconnect less hose		
800044	8" Hose less Quick Disconnect		
Miscellaneous Parts			
800810	Instructions CADET P.D. Airline	802998	Tabs
496958	Instructions PremAire P.D. Airline	802999	Quick Reference Chart
800808	Instructions Cylinder Kit	802996	Users Guide includes Binder, Tabs, Quick Reference Chart, Illustrated Parts List, All Instruction Manuals
497231	Instructions Vortex Kits		
497230	Instruction Dual Supply Kit		
802997	Binder	10017251	Users Maintenance Manual
Hose Assemblies			
Model P/N	Pt. No.	Hose Length (Feet)	
7-665-1	481071	8	Neoprene
7-665-1	455020	15	Neoprene
7-665-1	455021	25	Neoprene
7-665-1	455022	50	Neoprene
7-664-1	481051	8	Polyvinyl Chloride
7-664-1	471511	15	Polyvinyl Chloride
7-664-1	471512	25	Polyvinyl Chloride
7-664-1	471513	50	Polyvinyl Chloride
7-664-2	484225	100	Polyvinyl Chloride
5-511-1	491513	8	Nylon Coiled*
5-511-1	491514	15	Nylon Coiled*
5-511-1	491515	25	Nylon Coiled*
--	69542	--	Brass Adapter 1/4 Male NPT to 3/4 - 16 Male UNF
--	628232	--	Brass Adapter 1/4 Female NPT to 3/4 - 16 Male UNF
Pass Through Kit			
495658	Foster/Brass Quick Disconnect with Check Valve		
495659	Hansen/Stainless Steel Quick Disconnect with Check Valve		