



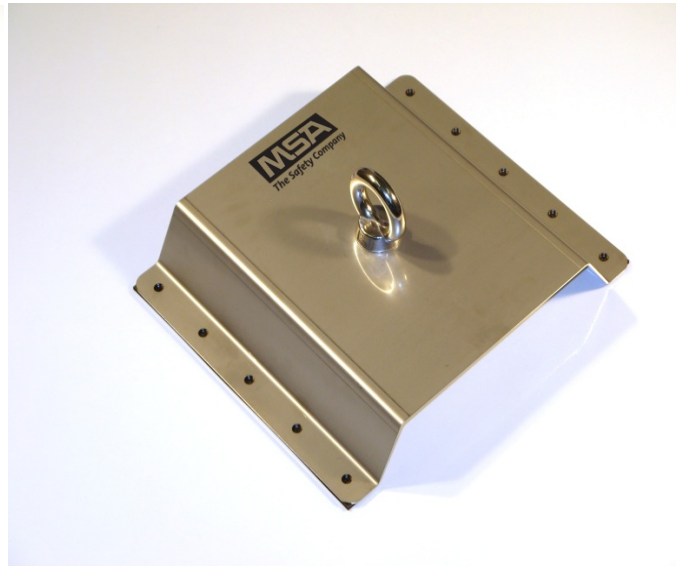
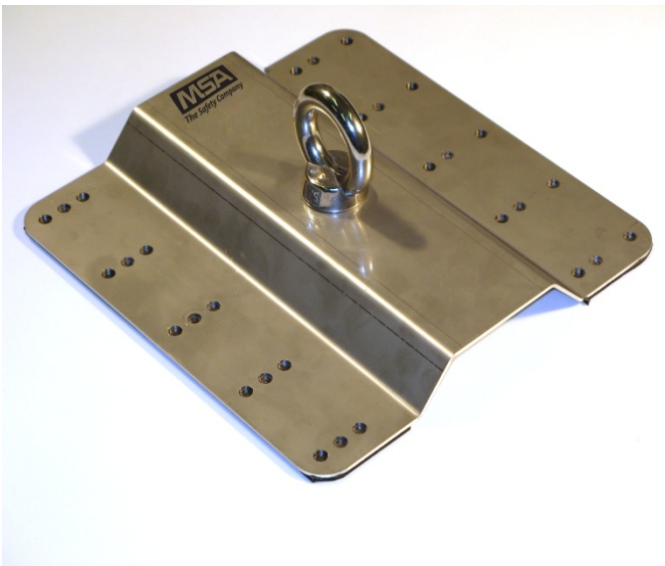
**The Safety Company**

Installation Guidelines for:-

## Top Mount Anchor Point

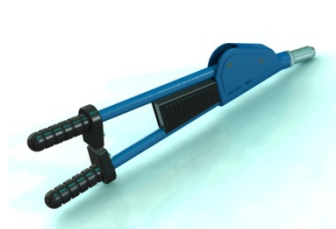
Code 766360

Code 766361



***Please Note: These Anchors need a special riveter for the 8mm Bulb Tite rivets.***

The riveter required is a Gesipa HN2 BT. Please make enquiries if you are unsure.



Hand Operated



Cordless Mechanical

### Disclaimer

### Installation of Safety Products

- The Manufacturer/Distributor cannot be held responsible for any product that is not installed correctly. Persons installing these Products must be approved installers. All persons installing Height Safety Products must know the 'Working At Heights' Regulations, have had Height Safety Training & be competent in all the relevant Australian Standards applicable to the work you are doing. Any installation diagrams are the manufacturers recommended methods and must be adhered to. The manufacturer/Distributor cannot be held responsible for incorrect installation documentation or procedures. The Distributor will endeavor to help and give guidance where necessary but cannot be held responsible for any 'mis-interpretations' or 'incorrect' advice. The Manufacturer/Distributor cannot warrant the structure to which the product is connected to. Assessment must be made by a qualified structural Engineer, unless it is clear to a competent person that it is structurally adequate. E&OE applies to all documentation.
- If you are uncertain and need help CALL:-

Enquiries Tel: (AUS) 1300 728 672 (NZ) 0800 441 335



**The Safety Company**

## TOP MOUNT ANCHOR POINT KIT INSTALLATION DETAILS

### Step 1

Secure eyebolt to plate, locking it off, facing the fall direction.

### Step 2

Place plate onto roof deck and fasten 2 x 14G screws through any 2 holes into the purlin/batten. Drill remaining 8 holes using an 8 mm drill bit and fasten with 8 mm Bulbtite rivets. (NOTE: A HN2 BT Gesipa Riveter is required for these rivets)

### Step 3

Remove any shavings to prevent corrosion and install data sign and label. Apply anchor point label within close proximity of anchor (preferably on the plate).

### Please Note!

Not all anchors can be used for abseil – contact MSA for details.

Prior to installation, quality of the roof/deck must be assessed for suitability by a competent person.

Min roof sheet thickness: 0.42 mm steel

Min roof sheet length: 2.4M or 3 battens

Pan Mount Plate the centre two fixings require: 2 x 14G x 45mm screws

Crest Mount Plate the centre two fixings require: 2 x 14G x 75mm screws – see Fig. 1

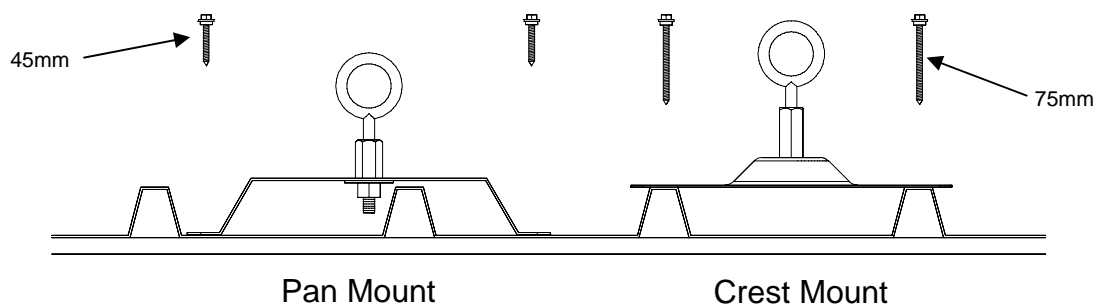


Fig. 1

Types of fixings:-



Use this type for fixing into  
Steel Purlins/Battens

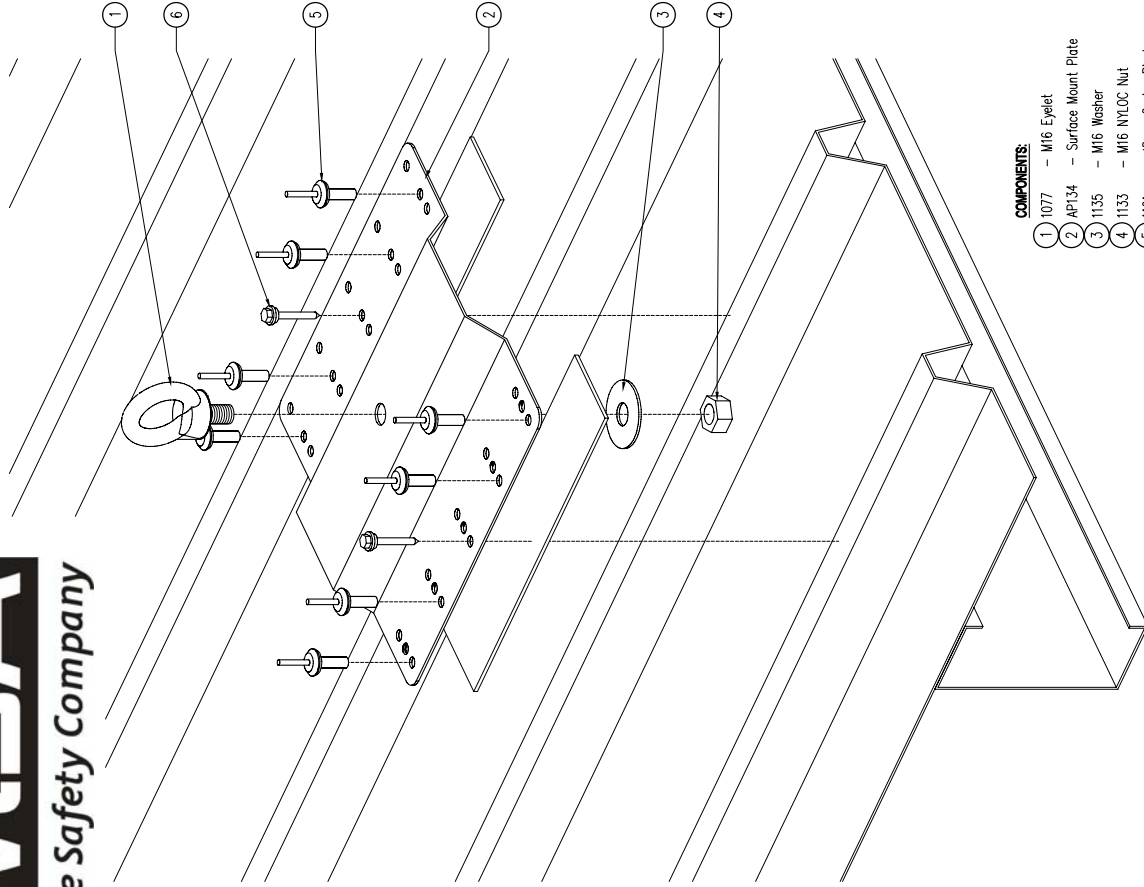


Use this type for fixing into  
Timber Purlins/Battens

**IF YOU ARE UNSURE, PLEASE CALL:-**  
**AUS – 1300 728 672**  
**NZ – 0800 441 335**



The Safety Company

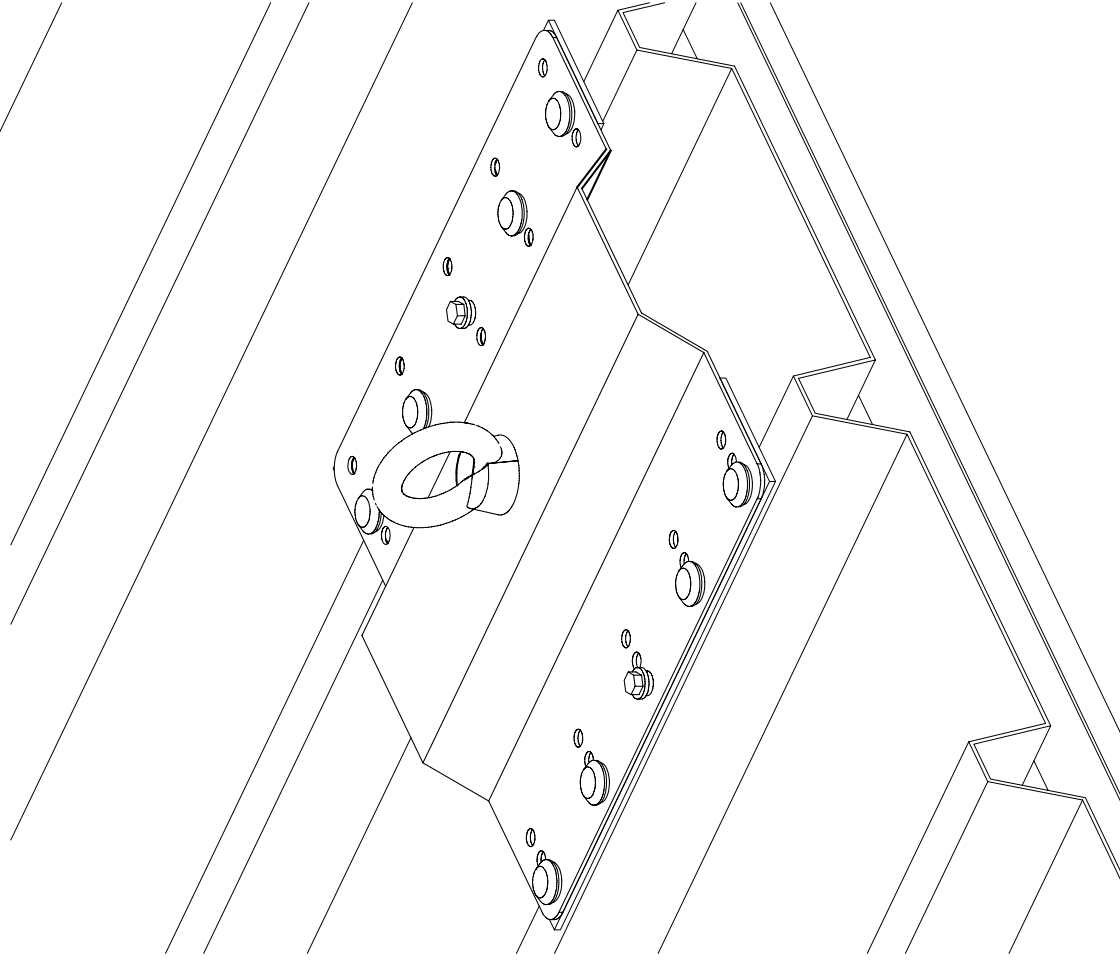


- COMPONENTS:**
- 1 1077 - M16 Eyelet
  - 2 AP134 - Surface Mount Plate
  - 3 1135 - M16 Washer
  - 4 1133 - M16 NYLOC Nut
  - 5 1161 - ø8mm Gesipa Rivet
  - 6 1153 - 14-10x75mm TEK Screws

### 766360 Universal Surface Mount Anchor Point Installation Details



The Safety Company



### 766360 Universal Surface Mount Anchor Point



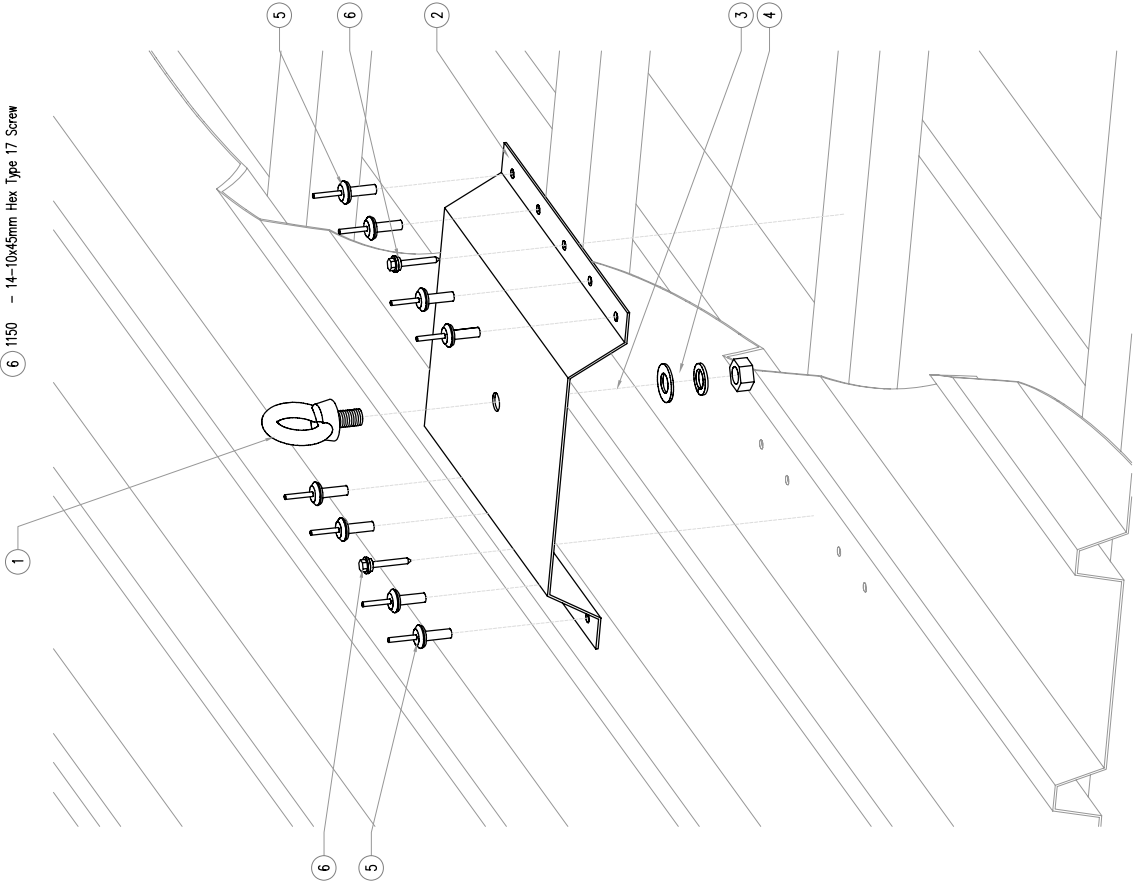
The Safety Company



The Safety Company

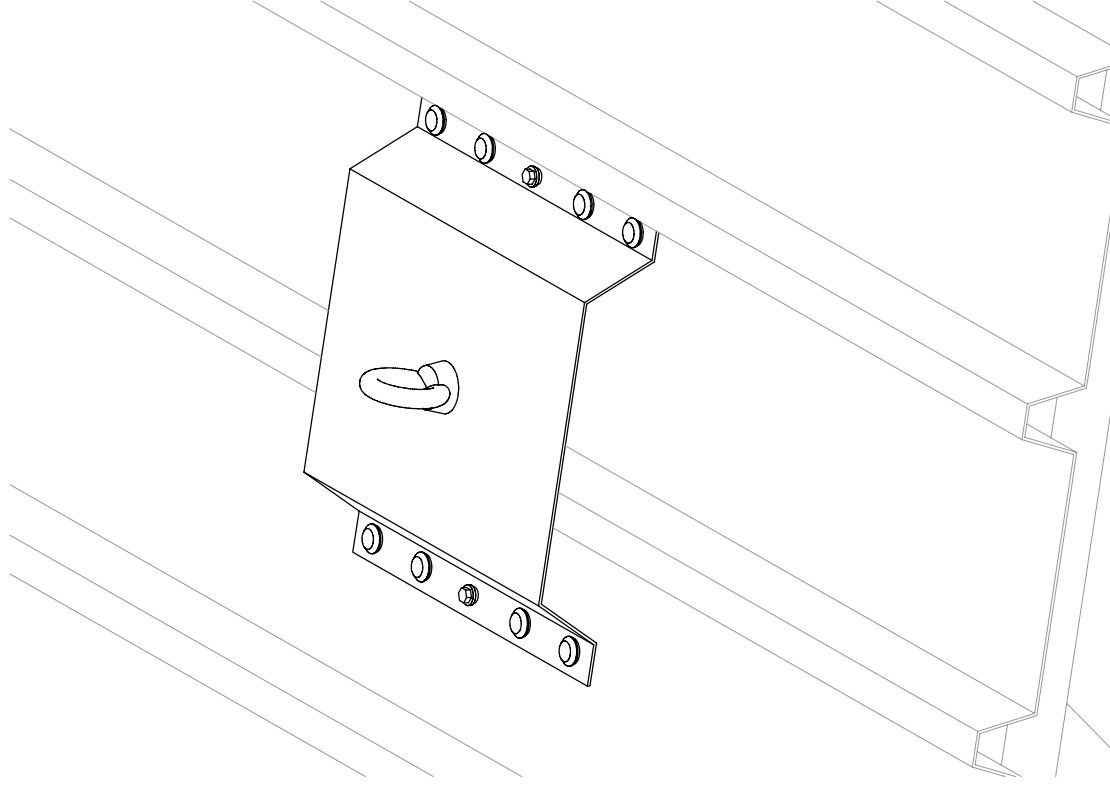
COMPONENTS:

- 1 1077 - Absell Eyelet 16mm
- 2 1081 - Surface Mount Plate
- 3 1135 - M16 Washer
- 4 1133 - M16 Nut
- 5 1161 - Ø8mm Gesipa Rivet
- 6 1150 - 14-10x45mm Hex Type 17 Screw



PLEASE NOTE: READ INSTALLATION GUIDE BEFORE INSTALLING ANCHORS.

### Top Hat Surface Mount Anchor Installation Details



PLEASE NOTE: READ INSTALLATION GUIDE BEFORE INSTALLING ANCHORS.

### Top Hat Surface Mount Anchor