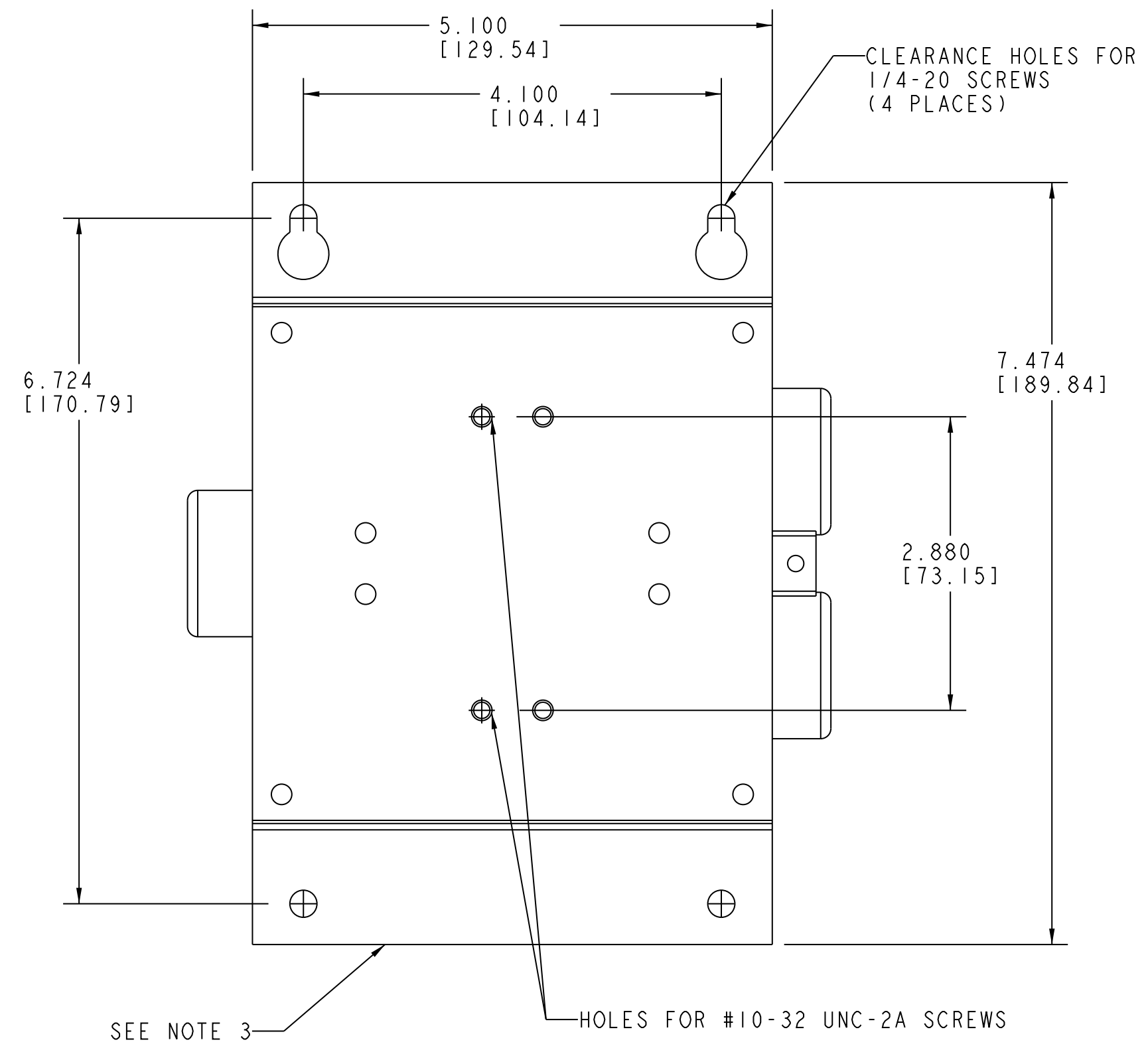
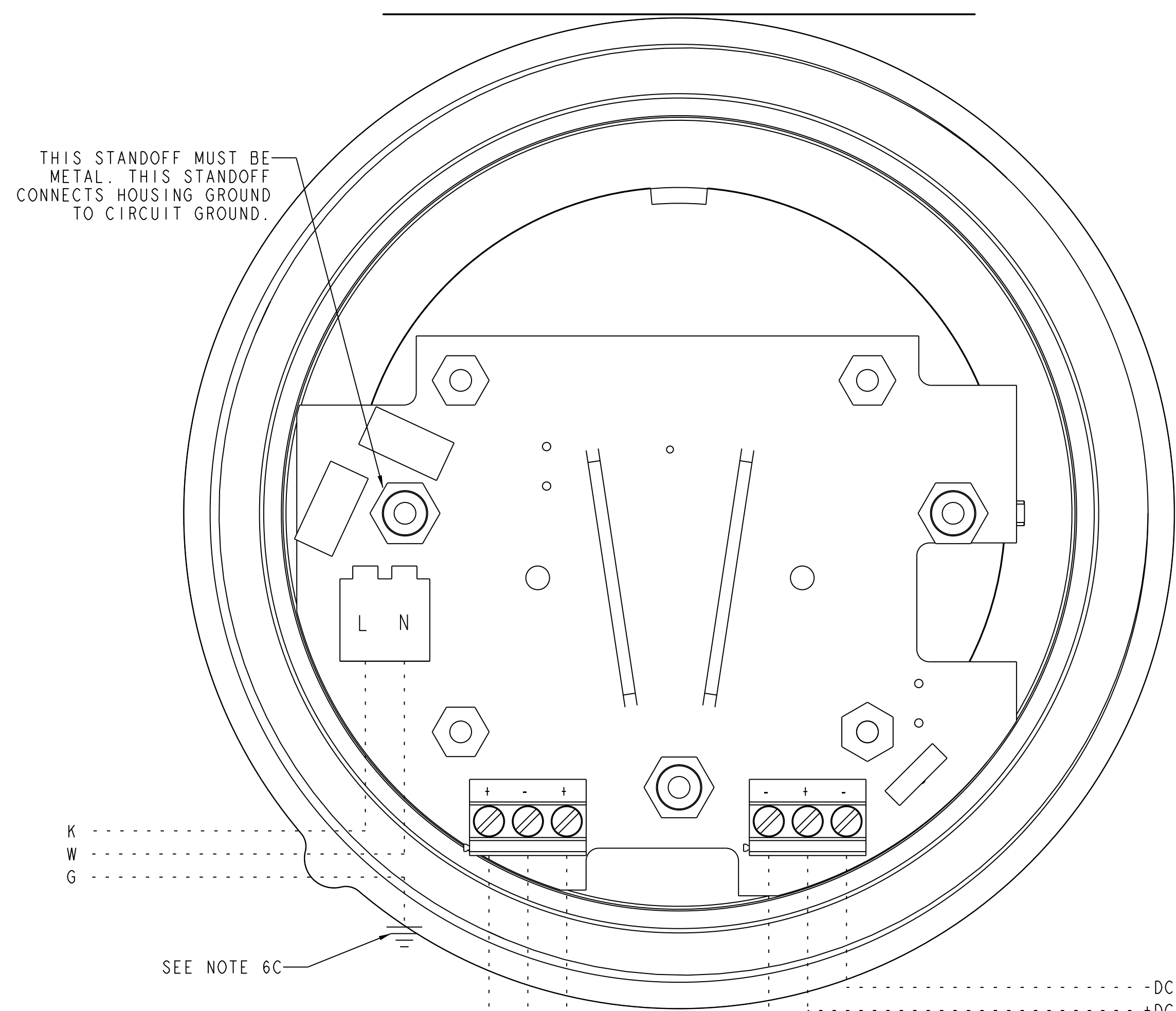


POWER SUPPLY SPECIFICATIONS		
	GENERAL PURPOSE	EXPLOSION PROOF
AC INPUT:	100-240 VAC	100-240 VAC
INPUT FREQUENCY:	50-60 Hz	50-60 Hz
DC OUTPUT:	24 VDC	24 VDC
MAX CURRENT OUTPUT:	0.46 AMPS	0.46 AMPS
OPERATING TEMPERATURE:	0-50 °C	0-50 °C
HAZARDOUS AREA RATING:	NONE	CLASS I, GROUPS A,B,C & D, DIV. I
WEIGHT:	10.4 LBS (4.72 KG)	10.4 LBS (4.72 KG)
MATERIAL:	316 STAINLESS STEEL	316 STAINLESS STEEL
ORDER NO.	10054810	10053967



- NOTES:
- DIMENSIONS SHOWN IN INCHES (MILLIMETERS).
 - - - INDICATES FIELD CONNECTIONS BY OTHERS.
 - P/N 10047561 IS OPTIONAL MOUNTING STRAP.
 - CHECK THIS TAG FOR HAZARDOUS RATING.
 - INSTALL IN ACCORDANCE WITH THE ELECTRICAL CODE OF THE COUNTRY IN USE.
 - OPERATIONAL REQUIREMENTS:
 - RECOMMENDED WIRE GAUGE TYPICALLY 16 GAUGE DEPENDING ON CURRENT REQUIRED AND DISTANCE FROM POWER SUPPLY.
 - MAXIMUM NUMBER OF DEVICES PER POWER SUPPLY DEPENDS ON DISTANCE AND DEVICE POWER REQUIREMENTS. SEE SPECIFIC PRODUCT INSTALLATION DRAWINGS FOR INDIVIDUAL CURRENT REQUIREMENTS.
 - TO GROUND ENCLOSURE, CONNECT GROUND TO GROUND SCREW WITHIN ENCLOSURE.

OPTIONAL MOUNTING BRACKET METHOD

QTY. ORDER NO.:
 GP 10054810
 XP 10053967

-----DC
 -----+DC
 -----DC
 -----+DC
 -----DC
 -----+DC

(24 VDC NOMINAL)

CUSTOMER.....
 P.O. #.....
 LOCATION.....
 TAG #.....

COLOR CODE	
BLACK = K	GREEN = G
BROWN = N	BLUE = B
RED = R	VIOLET = V
ORANGE = O	GRAY = A
YELLOW = Y	WHITE = W
PINK = P	TAN = T

AUTHORIZED COUNTRY	MSA	MINE SAFETY APPLIANCES CO. PITTSBURGH, PA 15230, USA	THIS DRAWING IS THE PROPERTY OF MSA AND IS MADE AVAILABLE TO YOU IN CONFIDENCE AND SUBJECT TO THE FOLLOWING: NO PERMISSION IS GRANTED TO PUBLISH, USE, REPRODUCE, TRANSMIT OR DISCLOSE THIS DRAWING, OR ANY INFORMATION CONTAINED THEREIN TO OTHERS WITHOUT THE PRIOR WRITTEN CONSENT OF MSA EXCEPT FOR THE MANUFACTURE OF ARTICLES FOR MSA. SCHUTZVERMERK NACH DIN 34 BEACHTEN. MSA AUER GmbH.	DO NOT SCALE DWG.
MSA STANDARD SHOP PRACTICES APPLY		JOB NO. 30005163 PH0730	APPROVAL AGENCY CODE: YES NIOSH ATTR. DOC.:	
CRITICAL Δ	CODE SYMBOLS	DRAWN BY WJE 6-1-2004	INSTALLATION OUTLINE, 24 VDC POWER SUPPLY MODULES, ULTIMA XE	
MAJOR A Δ	MINOR (NO MARK)	CHECKED BY D. BRUCE 6-24-04		
MAJOR B Δ		PROJ. ENGR. S. TURNER 6-23-04		
100% INSPECTION Δ		QUALITY ASSURANCE J. DANNHARDT 6-23-04		
TOLERANCES UNLESS OTHERWISE SPECIFIED		MANUFACTURING D. ALWARD 6-23-04	CADD REF: 10000020128	SCALE: 1:000
FRACTIONAL ± 1/64		DOCUMENT NO. D SK 10000020128		SHEET 1 OF 1
2 PL DEC. ± 0.01				
3 PL DEC. ± 0.005				
ANGULAR ± 1 deg.				
SEE MSA STANDARD SHOP PRACTICES FOR DRILLED HOLE TOLERANCES				