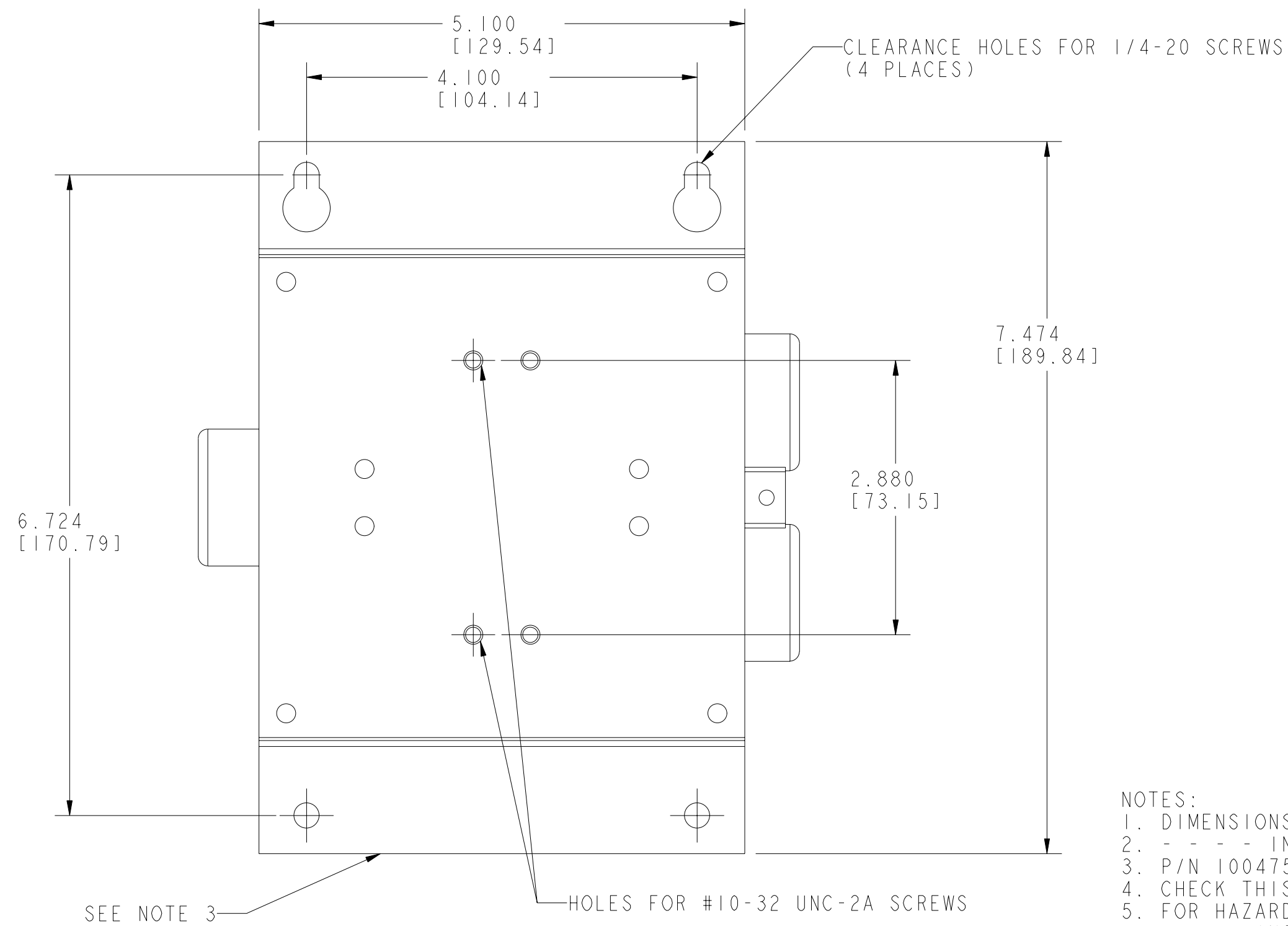
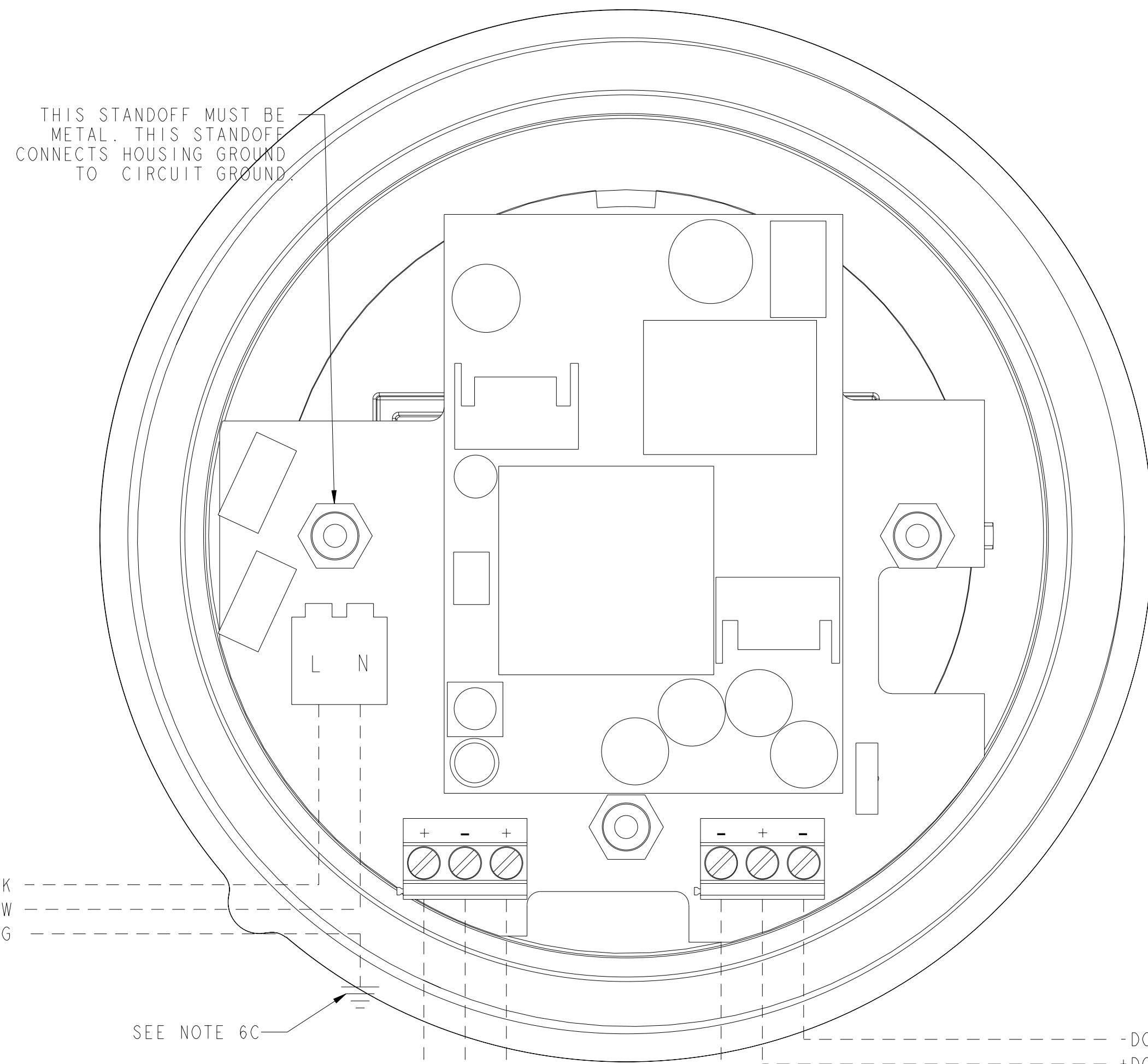


	GENERAL PURPOSE	EXPLOSION PROOF
AC INPUT:	100-240 VAC	100-240 VAC
INPUT FREQUENCY:	47-63 Hz	47-63 Hz
DC OUTPUT:	12 VDC	12 VDC
MAX CURRENT OUTPUT:	1.25 AMPS	1.25 AMPS
OPERATING TEMPERATURE:	0-50 °C	0-50 °C
HAZARDOUS AREA RATING:	NONE	CLASS I, GROUPS A,B,C & D, DIV. I
WEIGHT:	10.4 LBS (4.72 KG)	10.4 LBS (4.72 KG)
MATERIAL:	316 STAINLESS STEEL	316 STAINLESS STEEL
ORDER NO.	10054809	10053966



OPTIONAL MOUNTING BRACKET METHOD

- NOTES:
 1. DIMENSIONS SHOWN IN INCHES (MILLIMETERS).
 2. - - - INDICATES FIELD CONNECTIONS BY OTHERS.
 3. P/N 10047561 IS OPTIONAL MOUNTING STRAP.
 4. CHECK THIS TAG FOR HAZARDOUS RATING.
 5. FOR HAZARDOUS AREA INSTALLATION: INSTALL ACCORDING TO NATIONAL ELECTRICAL CODE HAZARDOUS AREA INSTALLATION GUIDELINES.
 6. OPERATIONAL REQUIREMENTS:
 A. RECOMMENDED WIRE GAUGE TYPICALLY 16 GAUGE DEPENDING ON CURRENT REQUIRED AND DISTANCE FROM POWER SUPPLY.
 B. MAXIMUM NUMBER OF DEVICES PER POWER SUPPLY DEPENDS ON DISTANCE AND DEVICE POWER REQUIREMENTS. SEE SPECIFIC PRODUCT INSTALLATION DRAWINGS FOR INDIVIDUAL CURRENT REQUIREMENTS.
 C. TO GROUND ENCLOSURE, CONNECT GROUND TO GROUND SCREW WITHIN ENCLOSURE.

-DC
 +DC
 -DC
 (12 VDC NOMINAL)
 +DC
 -DC
 +DC

QTY. ORDER NO.:
 GP 10054809
 XP 10053966

CUSTOMER _____
 P.O. # _____
 LOCATION _____
 TAG # _____

COLOR CODE	
BLACK = K	GREEN = G
BROWN = N	BLUE = B
RED = R	VIOLET = V
ORANGE = O	GRAY = A
YELLOW = Y	WHITE = W
PINK = P	TAN = T

AUTHORIZED COUNTRY	MSA MINE SAFETY APPLIANCES CO. PITTSBURGH, PA 15230, USA	THIS DRAWING IS THE PROPERTY OF MSA AND IS MADE AVAILABLE TO YOU IN CONFIDENCE AND SUBJECT TO THE FOLLOWING: NO PERMISSION IS GRANTED TO PUBLISH, USE, REPRODUCE, TRANSMIT OR DISCLOSE THIS DRAWING, OR ANY INFORMATION CONTAINED THEREIN TO OTHERS WITHOUT THE PRIOR WRITTEN CONSENT OF MSA EXCEPT FOR THE MANUFACTURE OF ARTICLES FOR MSA. SCHUTZVERMERK NACH DIN 34 BEACHTEN. MSA AUER GmbH.	DO NOT SCALE DWG.
	MSA STANDARD SHOP PRACTICES APPLY	APPROVAL AGENCY CODE: YES/NTOSH ATTR. DOC.:	
	CODE SYMBOLS	JOB NO. 30005163 PH0730	
	CRITICAL Δ	DRAWN BY WJE	DATE 6-1-2004
	MAJOR A Δ	CHECKED BY J. DANNHARDT	6-23-04
	MAJOR B Δ	PROJ. ENGR. S. TURNER	6-23-04
	100% INSPECTION Δ	QUALITY ASSURANCE J. DANNHARDT	6-23-04
	TOLERANCES UNLESS OTHERWISE SPECIFIED	MANUFACTURING D. ALWARD	6-23-04
	FRACTIONAL $\pm 1/64$	DOCUMENT NO. D SK	10000020130
	2 PL DEC. ± 0.01	CADD REF: 10000020130	SCALE: 1:000
	3 PL DEC. ± 0.005		SHEET 1 OF 1
	ANGULAR ± 1 deg.		
	SEE MSA STANDARD SHOP PRACTICES FOR DRILLED HOLE TOLERANCES		

**INSTALLATION OUTLINE,
 12 VDC POWER SUPPLY MODULES,
 ULTIMA XE**