

Workman Winch on Folding Davit

Technical Brief FP-PC015



Workman Winch has been approved for use on Folding Davit

The Workman Winch has been tested for use on the folding davit, part number 506613.

Attachment Procedure

Refer to davit instructions R622651 for more installation and use details and figures.

With the davit in the folded position, remove the quick release pin from the square tube of the davit. See the figures on the next page for part terminology.

- Insert the snaphook on the Workman Winch through the opening between the hinged bracket and the upper tube.
- Assemble the Workman Winch onto the square tube, such that the Workman Winch is on the lower side of the tube and the mounting holes are aligned.
- Align the hole in the square tube with the slot in the Workman Winch and insert the quick release pin through the bracket, square tube, and into the hole in the Workman Winch. Verify that the quick release pin is secure in the Workman Winch.
- Extract approximately 5 ft (1.5 m) of cable from the Workman Winch.
- Remove the clevis pin on the davit securing the end opposite the hinge.
- Remove the clevis pin from the hinge end.
- Pivot the upper tube until it is parallel to ground level.

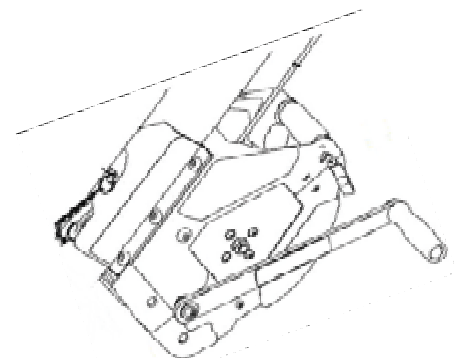


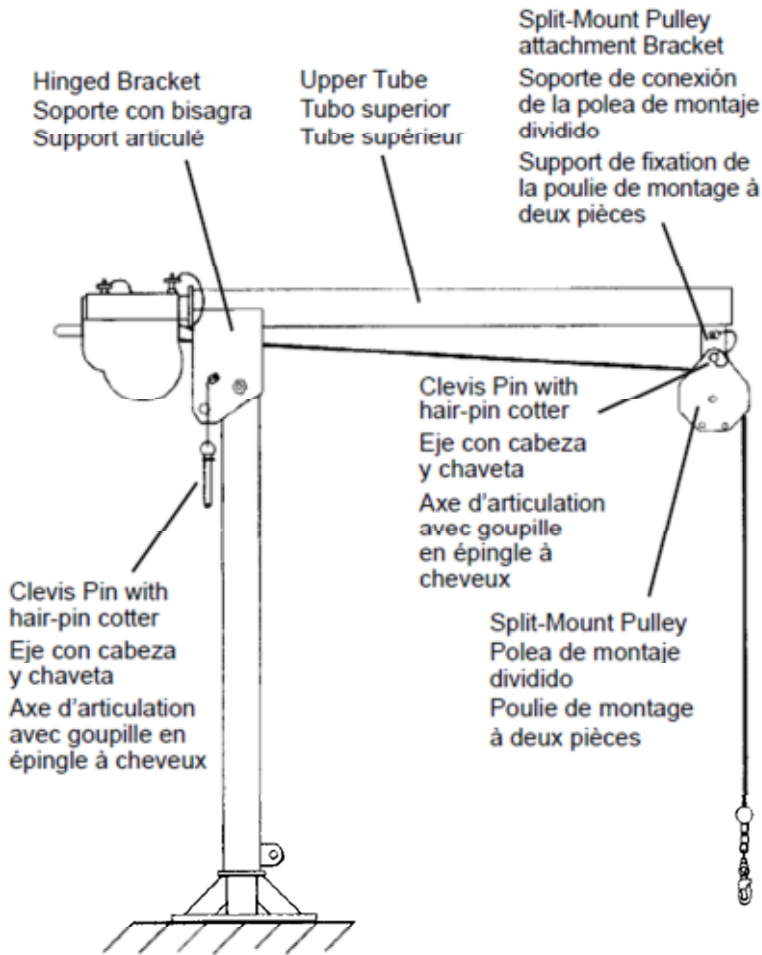
Caution!

Pivot the folding davit so as not to strike a person or object with the end of the upper tube or pinch fingers at the hinge bracket.

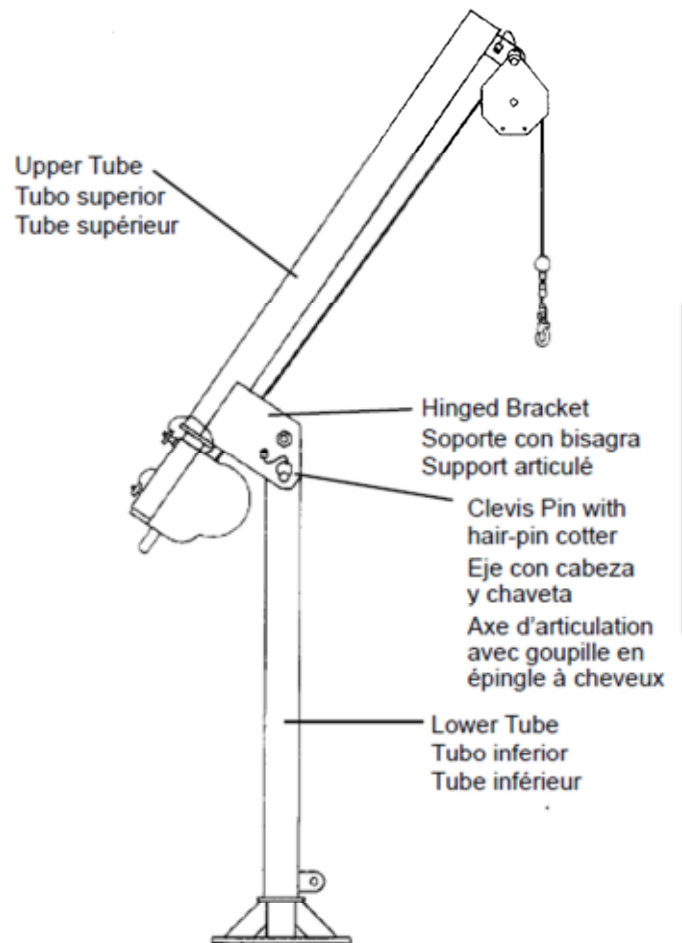


- Attach the Split-Mount Pulley (P/N 506222) to the davit by first inserting cable into the open end of the pulley then attaching the pulley to the pulley attachment bracket of the upper tube with clevis pin, attached to the bracket.
- Insert the hair-pin cotter through the end of the clevis pin.
- Remove the hair-pin cotter from the clevis pin in the hinged bracket and remove clevis pin.
- Pivot the upper tube until the holes in the hinge bracket and lower tube align. Insert the clevis pin, attached to the hinge bracket, through the bracket and the lower tube.
- Insert the hair-pin cotter through the end of the clevis pin.





ATTACHING THE SPLIT-MOUNT PULLEY
CONEXIÓN DE LA POLEA DE MONTAJE DIVIDIDO
INSTALLATION DE LA POULIE DE MONTAGE À DEUX PIÈCES



ERECTING THE FOLDING DAVIT
INSTALACIÓN DEL PESCANTE PLEGABLE
ÉRECTION DU BOSSOIR PLIANT

North American Part Numbers	
10147301	Workman Winch, 65', Stainless Steel Cable, 36CS swivel snaphook
10153757	Workman Winch, 65', Galvanized Cable, 36CS swivel snaphook
European Part Numbers	
10147296	MSA Workman Winch, 20 m, stainless-steel cable
10147566	MSA Workman Winch, 10 m, stainless-steel cable
10147567	MSA Workman Winch, 15 m, stainless-steel cable
10148278	MSA Workman Winch, 20 m, synthetic rope
10153828	MSA Workman Winch, 10 m, galvanized cable
10153829	MSA Workman Winch, 15 m, galvanized cable
10153830	MSA Workman Winch, 20 m, galvanized cable
10154687	MSA Workman Winch, 25 m, stainless-steel cable
10154688	MSA Workman Winch, 30 m, stainless-steel cable
10154689	MSA Workman Winch, 25 m, galvanized cable
10154690	MSA Workman Winch, 30 m, galvanized cable

Refer to the instructions provided with each product for specific product use instructions and warnings.

North America: Winch-10147048; Davit-R622651

Europe: Winch-10147049; Davit-R622651