

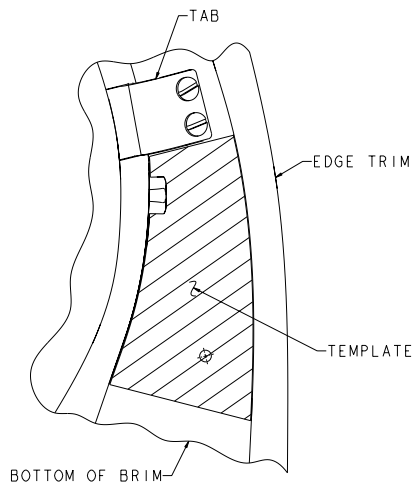
INSTALLING MOUNTING LOW PROFILE KIT FOR ESS GOGGLES

Mounting Kit (Parts List)

Item No.	Qty. Reqd.	Description
1	2	Acorn Nut
2	2	Lock Washer
3	2	Screw
4	2	Washer
5	2	Spacer
6	2	Washer

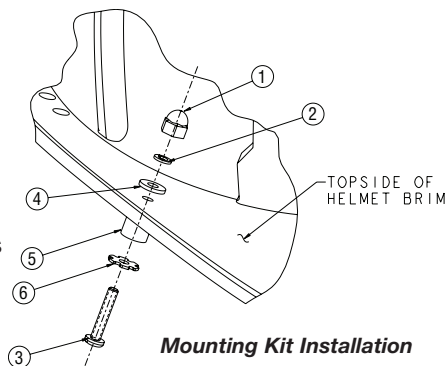
For 360, 515, 660, 664, 880, 1000, 1010, 1044 Helmets

1. Select the appropriate template (helmet model number located on template) and cut out.
2. Place the template on the bottom side of the brim.
3. Align the outside edge of the template with the inside edge of the trim.



Note: The shape of the template follows the shape of the brim.

4. Drill a hole into the brim where the crosshairs intersect.
5. Install the mounting kit as shown.

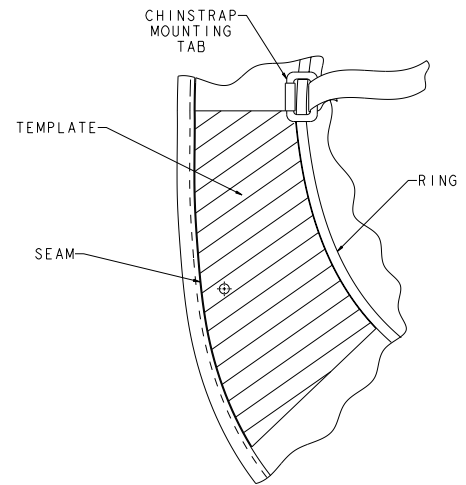


6. Turn the template over on other side and repeat instructions 2 through 5.
7. Complete the instructions for INSPECTING ESS GOGGLES and INSTALLING ESS GOGGLES.

For Leather Helmets

1. Select the template marked "LEATHER" and cut out.
2. Place the template on the bottom side of the brim.

3. Center the template between the ring and the seam with the labeled end against the chinstrap mounting.



Note: The shape of the template follows the shape of the brim.

4. Drill a hole into the brim where the crosshairs intersect. Install mounting kit. (see Mounting Kit Installation) Turn the template over on other side and repeat instructions 2 through 5.

INSPECTING ESS GOGGLES

CAUTION

Inspect the goggles' lens for black specks, contamination, spray marks, and scratches when inspected 12 inches from the eye. If such conditions exist, do not use the goggles.

INSTALLING ESS GOGGLES ONTO HELMETS (ALL MODELS)

1. Place the brass grommet of the goggles' right hand strap over the installed screw of the mounting kit.

Note: The washer in the mounting hardware will prevent the goggles from slipping off the screw.

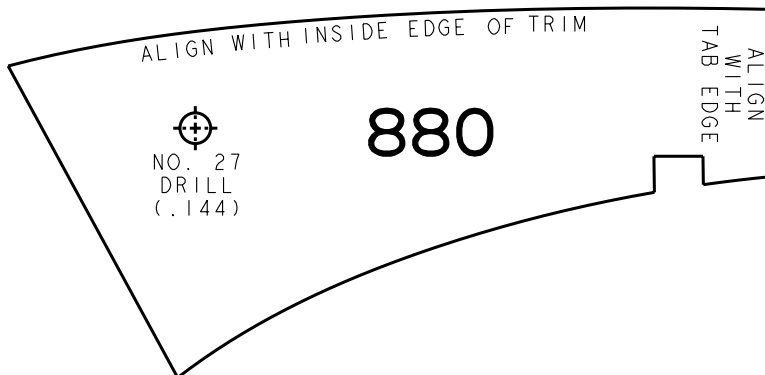
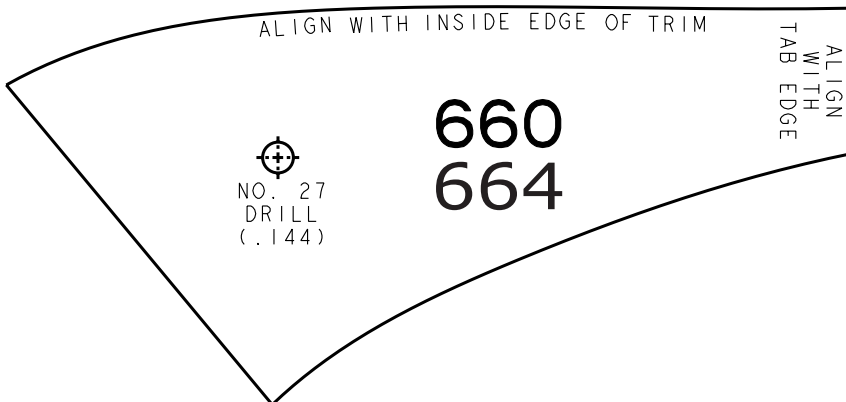
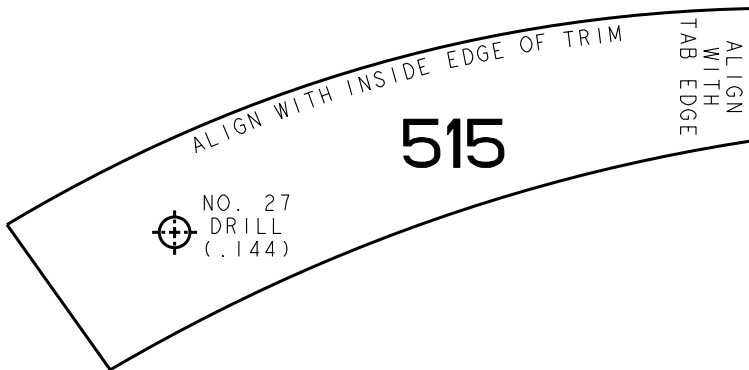
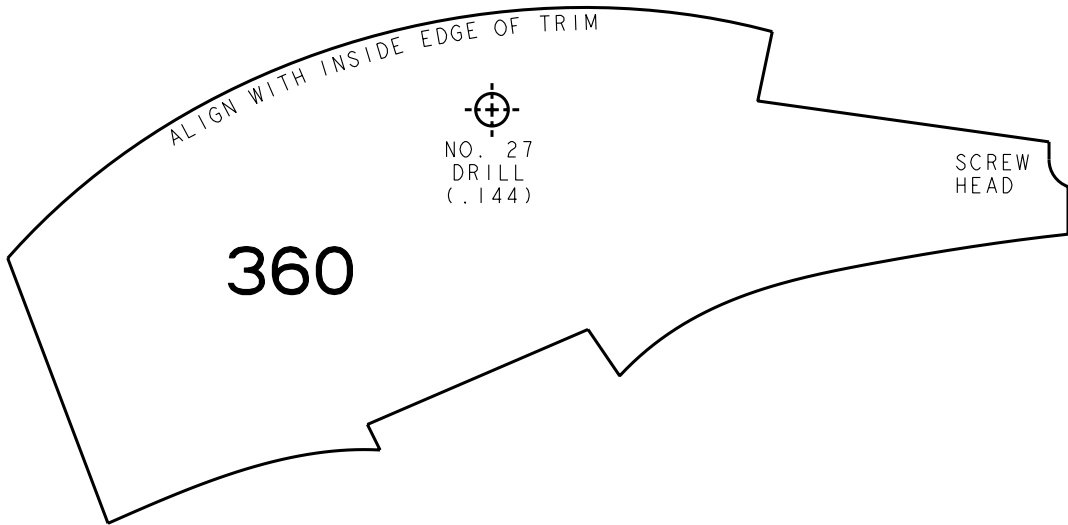
2. Place the brass grommet of the goggles' left hand strap over the installed screw of the mounting kit.

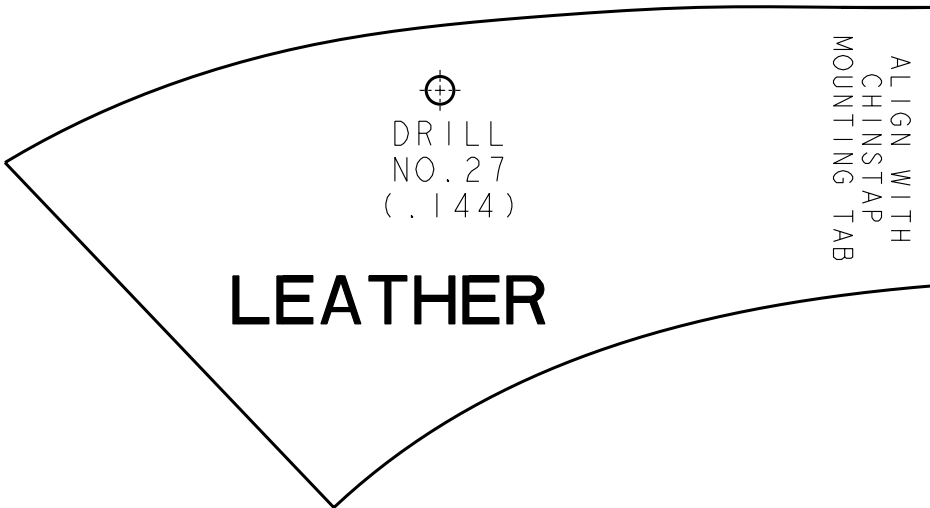
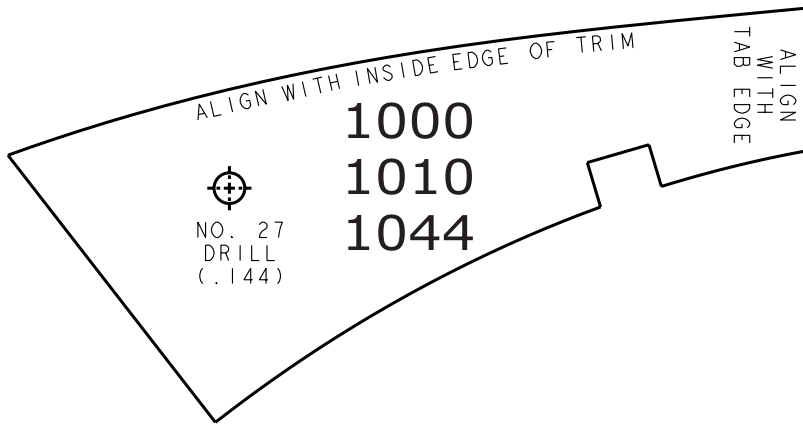
For More Information, call 1-800-MSA-2222 or Visit Our Website at www.MSAnet.com



MINE SAFETY APPLIANCES COMPANY
PITTSBURGH, PENNSYLVANIA, U.S.A. 15230

TEMPLATES





For More Information, call 1-800-MSA-2222 or Visit Our Website at www.MSAnet.com



MINE SAFETY APPLIANCES COMPANY
PITTSBURGH, PENNSYLVANIA, U.S.A. 15230