

PUMPED VERSION

SAMPLE TUBING:
 MSA PART NO.: 600771, 1/8" I.D. X 300 FT LONG MAX.
 END OF LINE FILTER:
 MSA PART NO.: 711561
 MSA PART NO.: 711562 (AMMONIA)

4-20 mA SIGNAL OUTPUT WIRING:
 --- UNDER LINE POWER ---
 22 AWG 9000 FEET 250 OHM MAX LOAD.
 22 AWG 2500 FEET 500 OHM MAX LOAD.

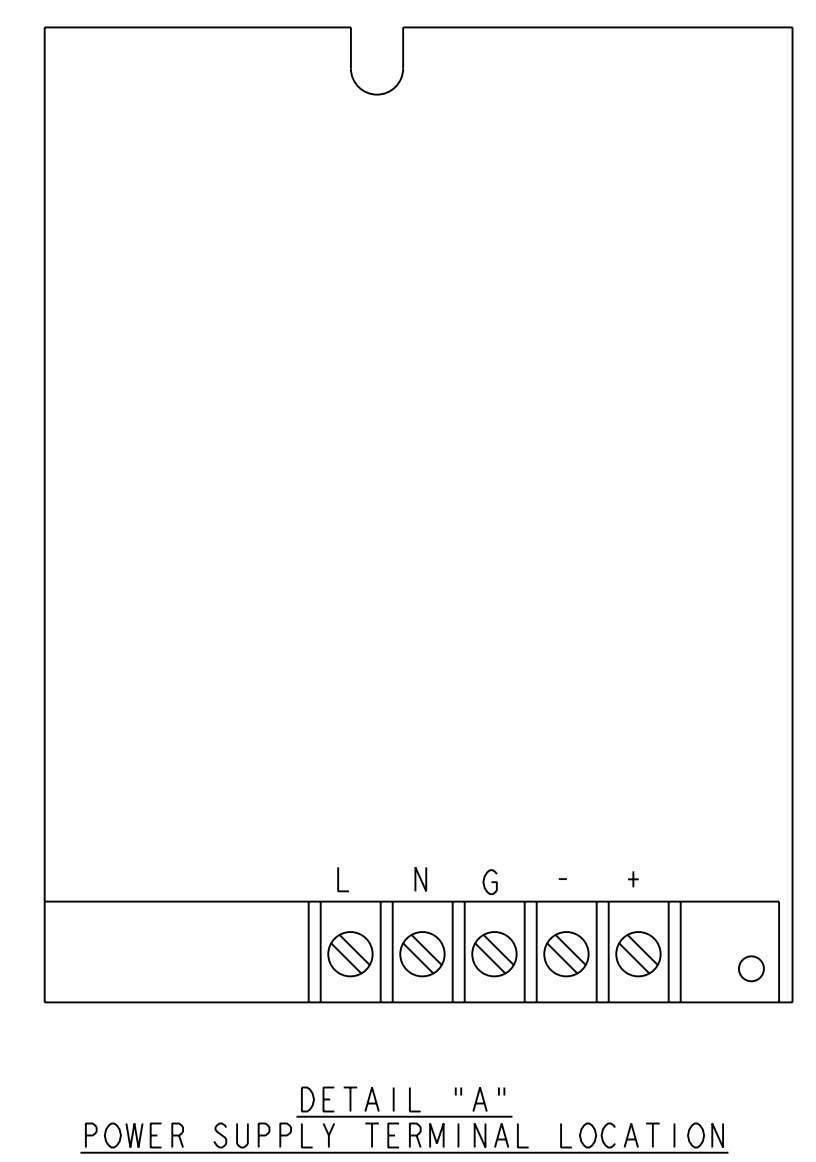
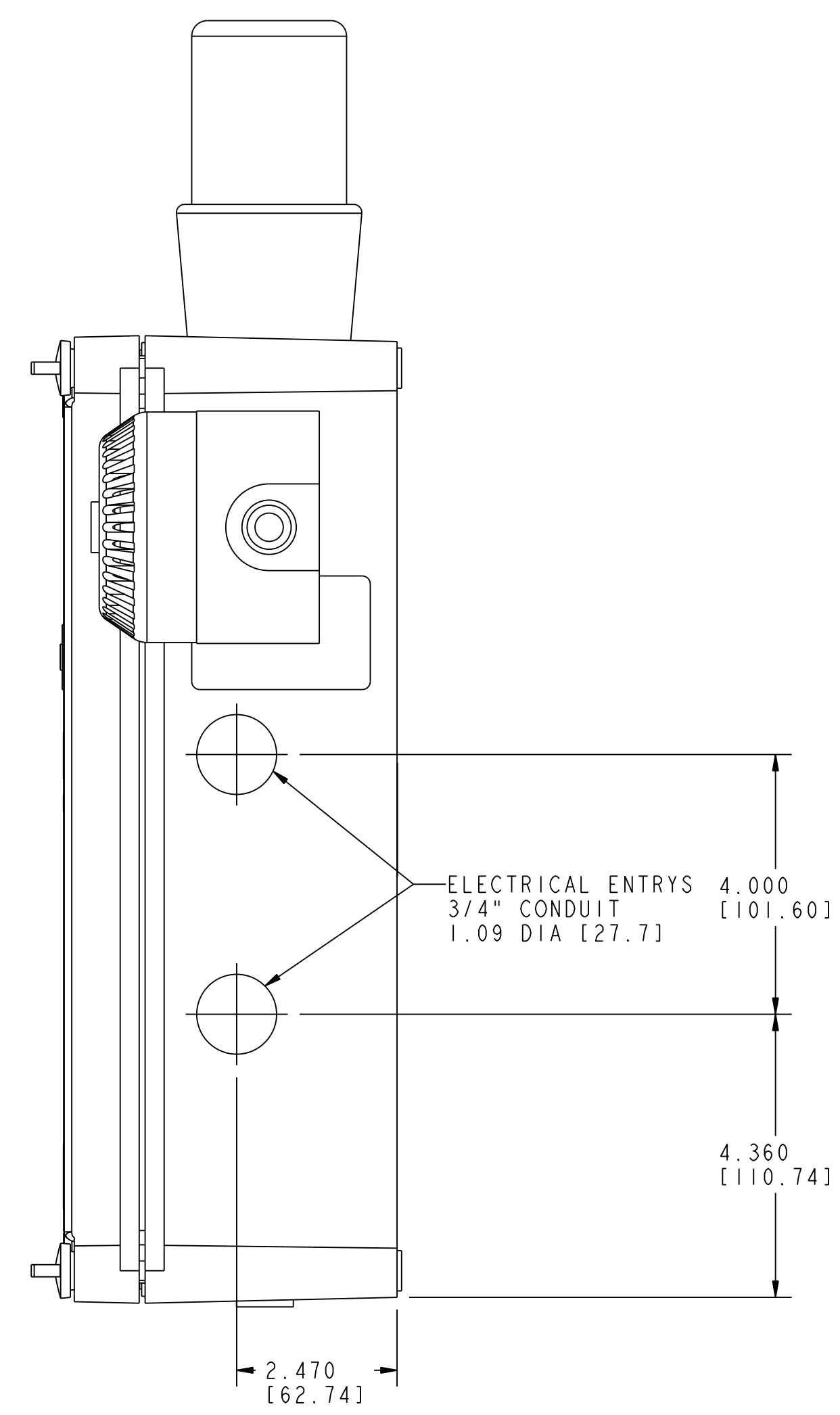
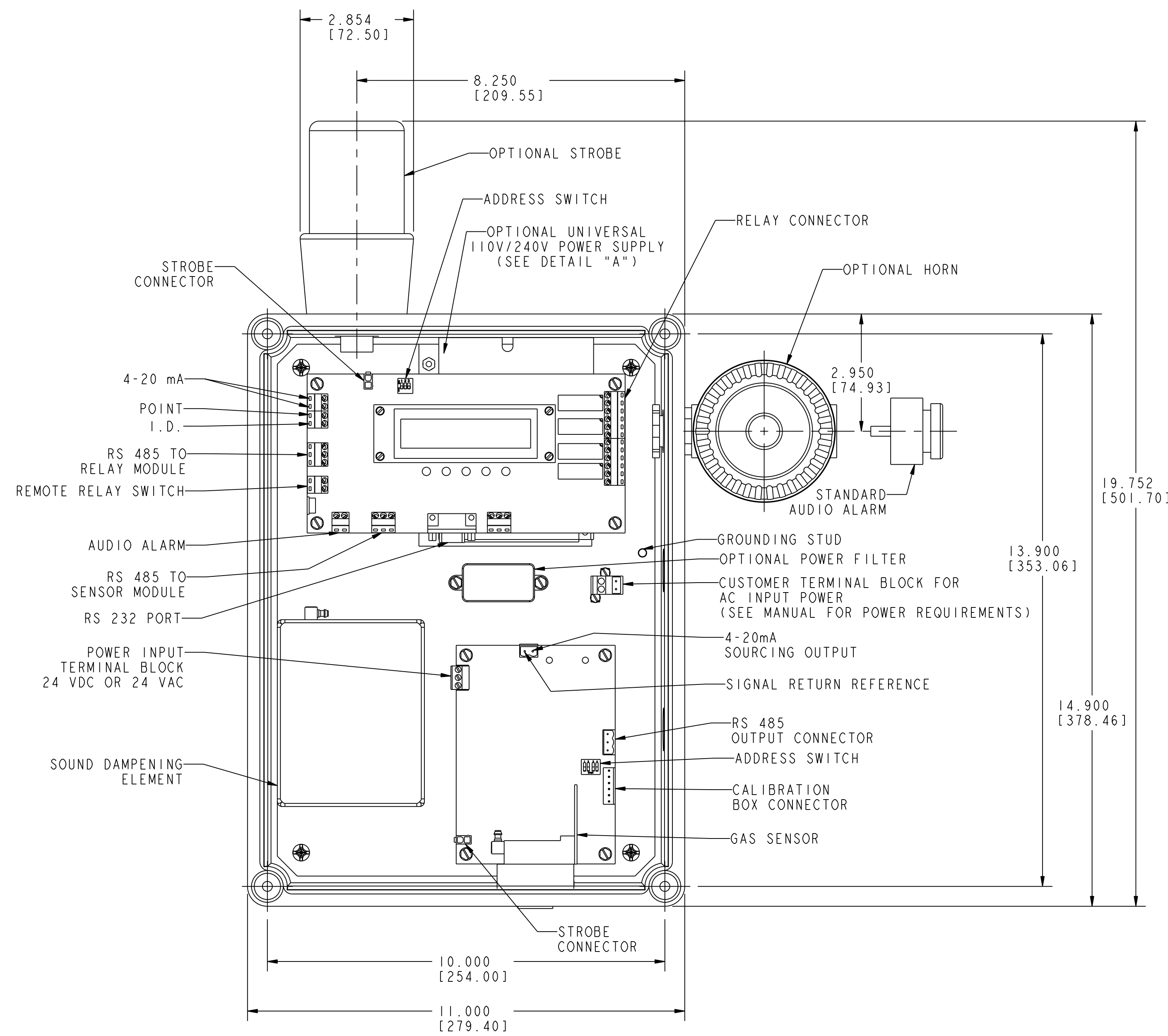
- NOTES:
1. AC POWER SUPPLY ACCEPTS 110 VAC MINIMUM TO 240 VAC MAXIMUM. DC SUPPLY 24V +0/-20%.
 2. SEPARATE AC AND DC WIRING DURING INSTALLATION.
 3. ENCLOSURE MATERIAL ABS WITH EPDM GASKET.
 4. ALL DIMENSIONS IN INCHES AND [MILLIMETERS].
 5. DO NOT DRILL ANY HOLES INTO THE REAR OF THE ENCLOSURE.
 6. WEIGHT 9.5 LBS (4.27 Kg)
 7. FOR MORE INFORMATION REFER TO MANUAL.

REVISIONS	
APR 19 2002	
① 6-3-02	REVISED NOTE 3 REMOVED "NEMA 4X (IP66) ECO-500000148906 WJE WLB
JUN 04 2002	
② 10-4-02	ADDED SHEET 2 ECO-500000150502 WJE WLB
OCT 08 2002	
③ 11-19-02	REVISED LOCATION OF VENTS ECO-500000151194 WJE WLB
DEC 17 2002	

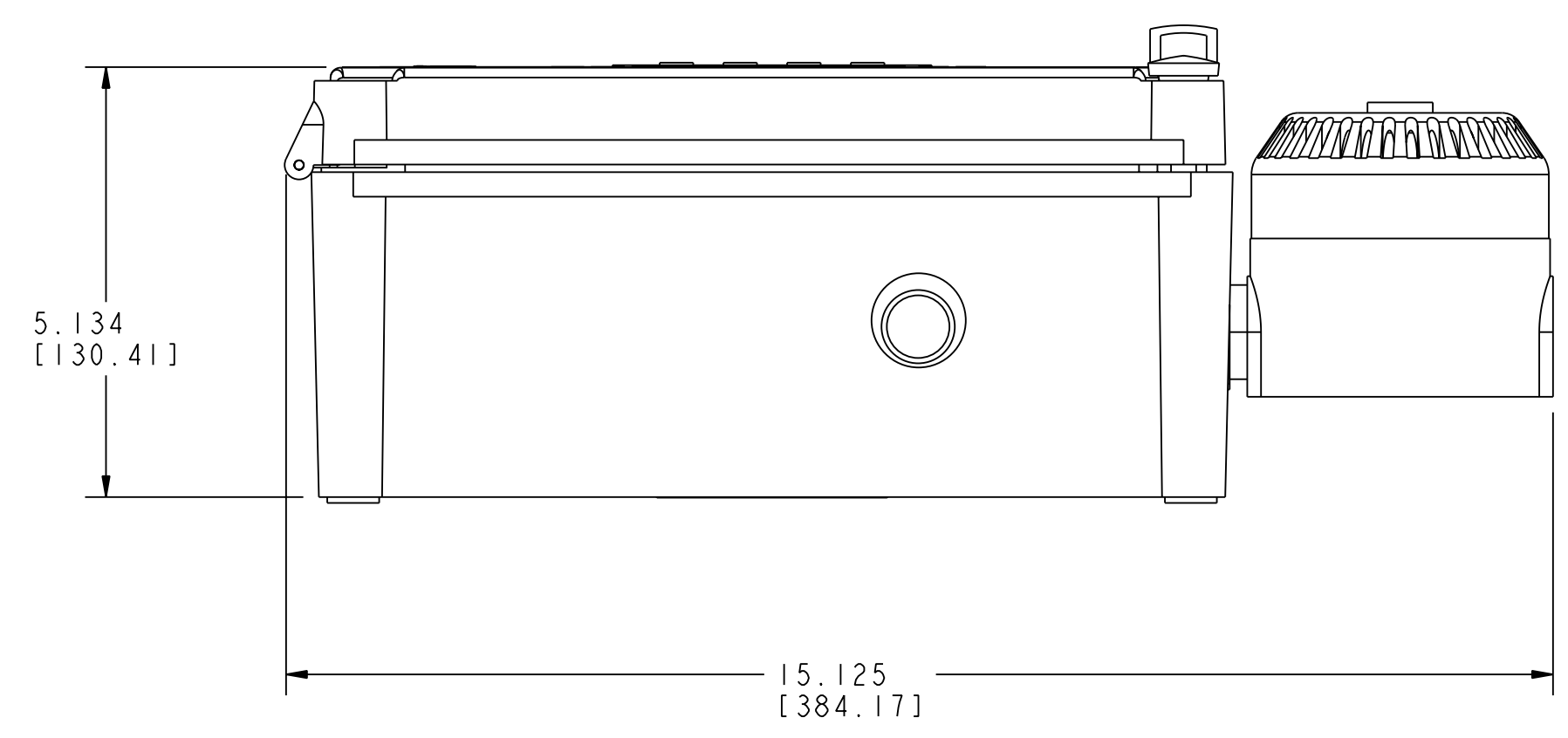
CUSTOMER _____
 P.O. # _____
 LOCATION _____
 TAG # _____

AUTHORIZED COUNTRY	MSA	MINE SAFETY APPLIANCES CO. PITTSBURGH, PA 15230, USA	THIS DRAWING IS THE PROPERTY OF MSA AND IS MADE AVAILABLE TO YOU IN CONFIDENCE AND SUBJECT TO THE FOLLOWING: NO PERMISSION IS GRANTED TO PUBLISH, USE, REPRODUCE, TRANSMIT OR DISCLOSE THIS DRAWING, OR ANY INFORMATION CONTAINED THEREIN TO OTHERS WITHOUT THE PRIOR WRITTEN CONSENT OF MSA EXCEPT FOR THE MANUFACTURE OF ARTICLES FOR MSA. SCHUTZVERMERK NACH DIN 34 BEACHTEN. MSA AUER GmbH.	DO NOT SCALE DWG.
	MSA STANDARD SHOP PRACTICES APPLY	JOB NO. 30003220 PH0705	APPROVAL AGENCY CODE: NO NIOSH ATTR. DOC.:	
	CODE SYMBOLS	DRAWN BY DATE WJE 3-12-02	<h2 style="text-align: center;">INSTALLATION OUTLINE, CHILLGARD LE</h2>	
	CRITICAL Δ	CHECKED BY W. BARBISH 4-11-02		
	MAJOR A Δ (NO MARK)	PROJ. ENGR. W. BARBISH 4-11-02		
	MAJOR B Δ	QUALITY ASSURANCE J. DANNHARDT 4-15-02		
	100% INSPECTION Δ	MANUFACTURING R. SMIDL 4-11-02		
	TOLERANCES UNLESS OTHERWISE SPECIFIED		CADD REF: 10000013436	SCALE: 0.500
	FRACTIONAL ± 1/64 in.			
	2 PL DEC. ± 0.01 in.			
	3 PL DEC. ± 0.005 in.			
	ANGULAR ± 1 deg.			
	SEE MSA STANDARD SHOP PRACTICES FOR DRILLED HOLE TOLERANCES	DOCUMENT NO. D SK 10000013436		SHEET 1 OF 2

REVISIONS
REV. 2
OCT 08 2002
REV. 3
DEC 17 2002



DIFFUSION VERSION



CUSTOMER _____
P.O. # _____
LOCATION _____
TAG # _____

AUTHORIZED COUNTRY	MSA	MINE SAFETY APPLIANCES CO. PITTSBURGH, PA 15230, USA	THIS DRAWING IS THE PROPERTY OF MSA AND IS MADE AVAILABLE TO YOU IN CONFIDENCE AND SUBJECT TO THE FOLLOWING: NO PERMISSION IS GRANTED TO PUBLISH, USE, REPRODUCE, TRANSMIT OR DISCLOSE THIS DRAWING, OR ANY INFORMATION CONTAINED THEREIN TO OTHERS WITHOUT THE PRIOR WRITTEN CONSENT OF MSA EXCEPT FOR THE MANUFACTURE OF ARTICLES FOR MSA. SCHUTZVERMERK NACH DIN 34 BEACHTEN. MSA AUER GmbH.	DO NOT SCALE DWG.
MSA STANDARD SHOP PRACTICES APPLY		JOB NO. 30003220 PH0705	APPROVAL AGENCY CODE: NO NIOSH ATTR. DOC.:	
CODE SYMBOLS	CRITICAL Δ	MINOR (NO MARK)	100% INSPECTION Δ	
TOLERANCES UNLESS OTHERWISE SPECIFIED	FRACTIONAL $\pm 1/64$ in.	2 PL DEC. ± 0.01 in.	3 PL DEC. ± 0.005 in.	ANGULAR ± 1 deg.
SEE MSA STANDARD SHOP PRACTICES FOR DRILLED HOLE TOLERANCES		WJE 3-12-02	W. BARBISH 4-11-02	W. BARBISH 4-11-02
		J. DANNHARDT 4-15-02	R. SMIDL 4-11-02	
		D SK	10000013436	SCALE: 0.500
			CADD REF: 10000013436	SHEET 2 OF 2

INSTALLATION OUTLINE,
CHILLGARD LE