

A - CG5000 -

SENSOR OPTIONS
0 = LIBRARY REFRIGERANTS

UNIT MOUNTED STROBE
0 = NONE
1 = YES

NUMBER OF SAMPLE POINTS
4 = FOUR SAMPLE POINTS
8 = EIGHT SAMPLE POINTS
16 = SIXTEEN SAMPLE POINTS
4M = FOUR SAMPLE POINTS (METRIC)
8M = EIGHT SAMPLE POINTS (METRIC)
16M = SIXTEEN SAMPLE POINTS (METRIC)

FOR FUTURE USE
0 = NONE

GENERAL OPERATING SPECIFICATIONS	
AC POWER	100-240 VAC, 50/60 Hz, 200 VA MAXIMUM, 12 AWG MAX WIRE SIZE
OPERATING TEMPERATURES	32°F TO 122°F (0° TO 50°C)
INGRESS PROTECTION	IP54
WEIGHT	4 POINT UNIT = 14LB (6.4kg) 8 POINT UNIT = 15LB (6.8kg) 16 POINT = 17LB (7.7kg)
SAMPLE LINE TUBING	POLYURETHANE OR METAL TUBING, 1/4" O.D. x 1/8" I.D. (6mm O.D. x 4mm I.D.)
SAMPLE LINE MONITORING DISTANCE	UP TO 400' (121m) FOR OPTIMUM PERFORMANCE. WILL SUPPORT UP TO 1200' (366m)
RELAYS	5 FORM C, 8AMP 250 VAC/24 VDC RESISTIVE SPDT
AUDIBLE ALARM	95 ±5 DBA AT 24" (61cm) MAXIMUM
COMMUNICATION OUTPUTS	4 TO 20mA SOURCING, 250 OHM LOAD MAX; 0-10V, 2 K OHM MINIMUM LOAD; RS485 MODBUS RTU OR RS-485 BACnet MS/TP

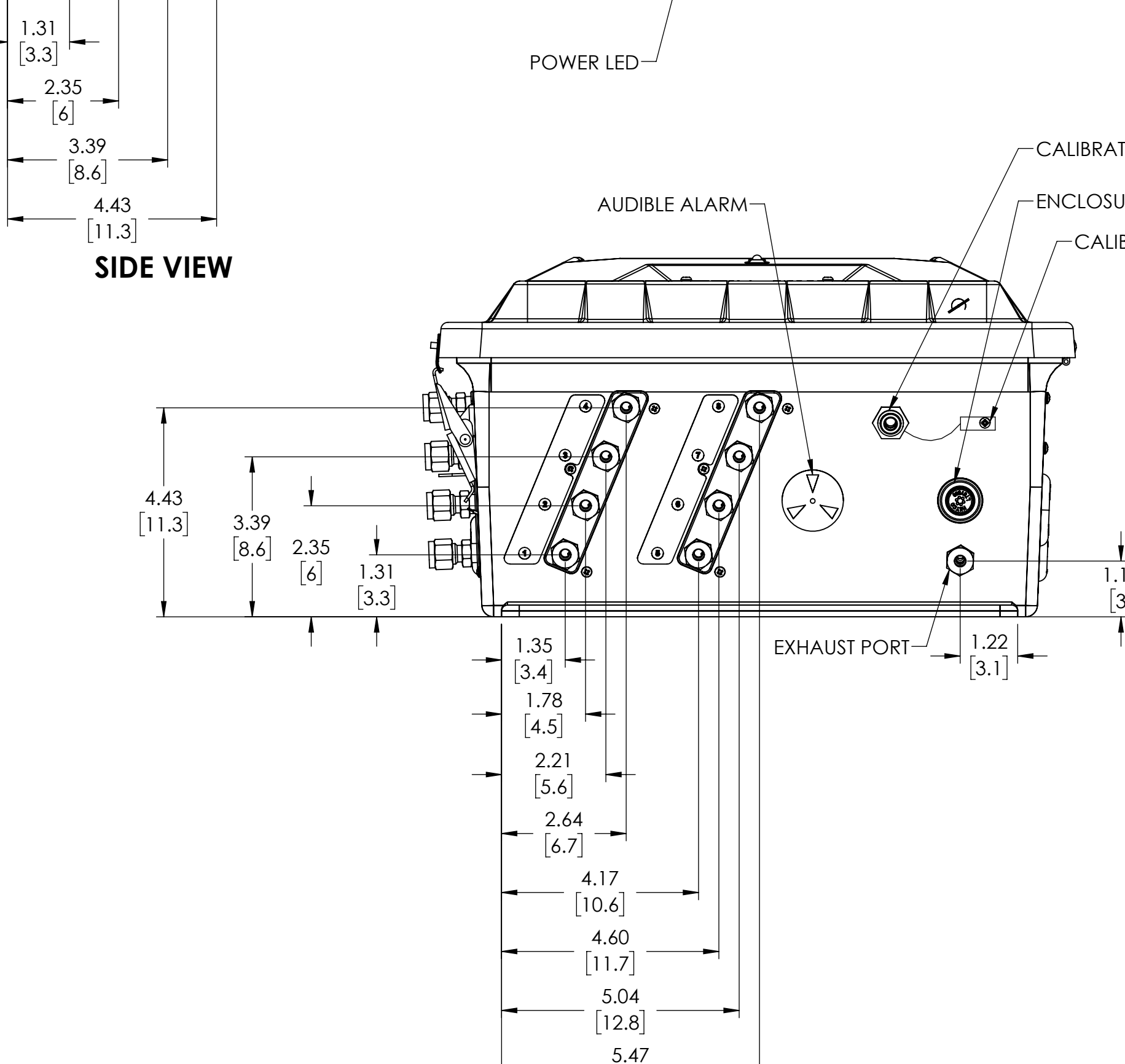
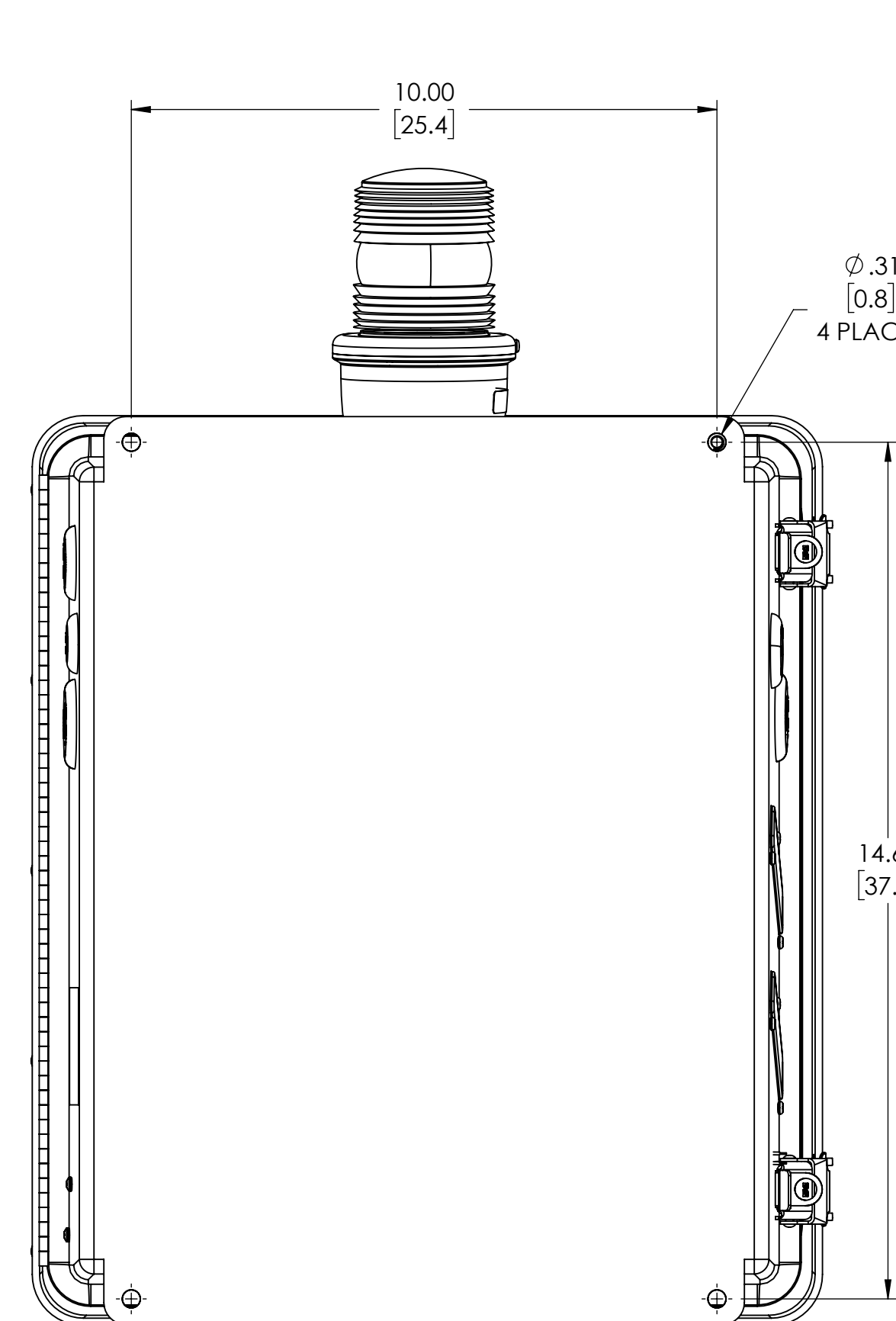
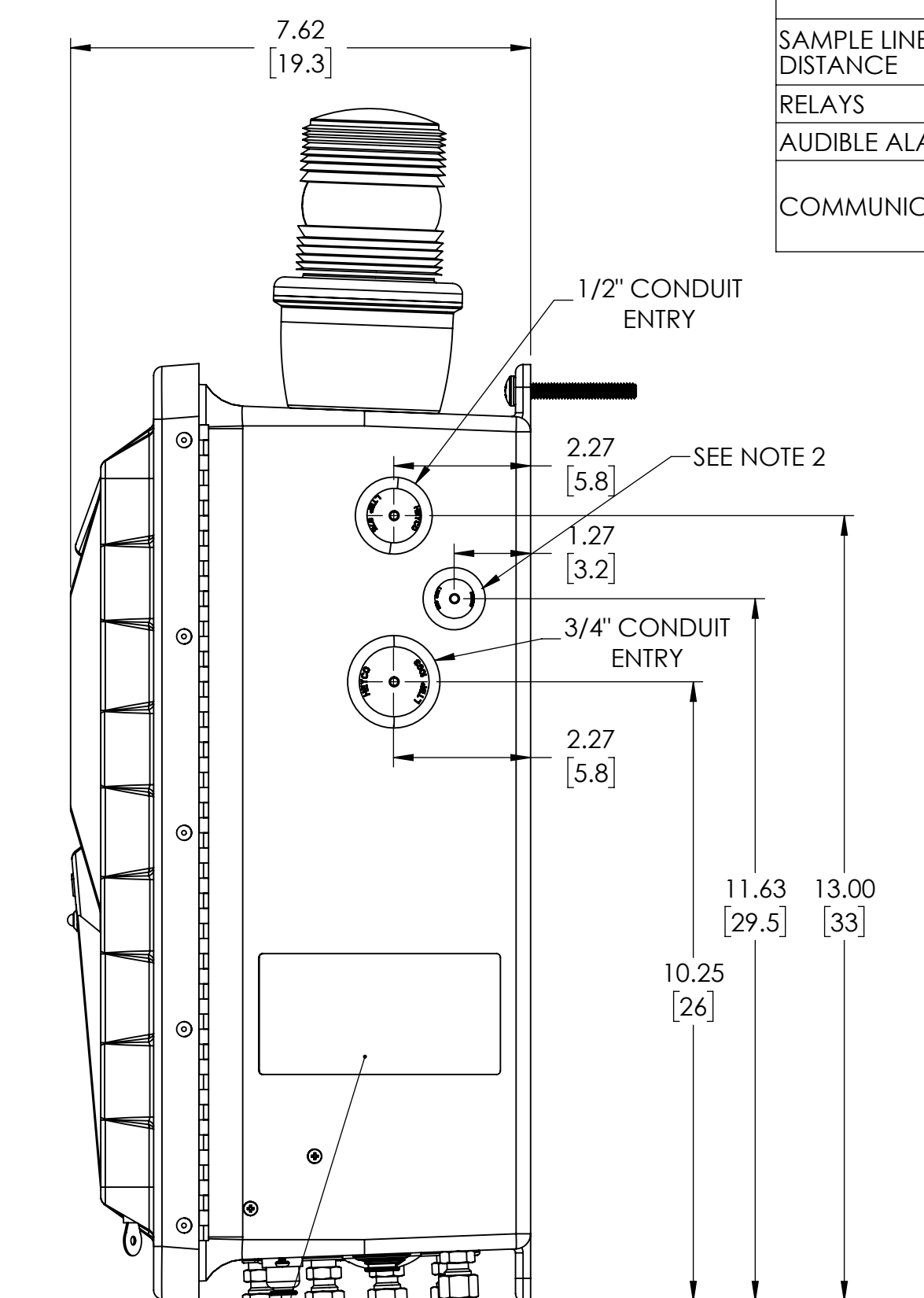
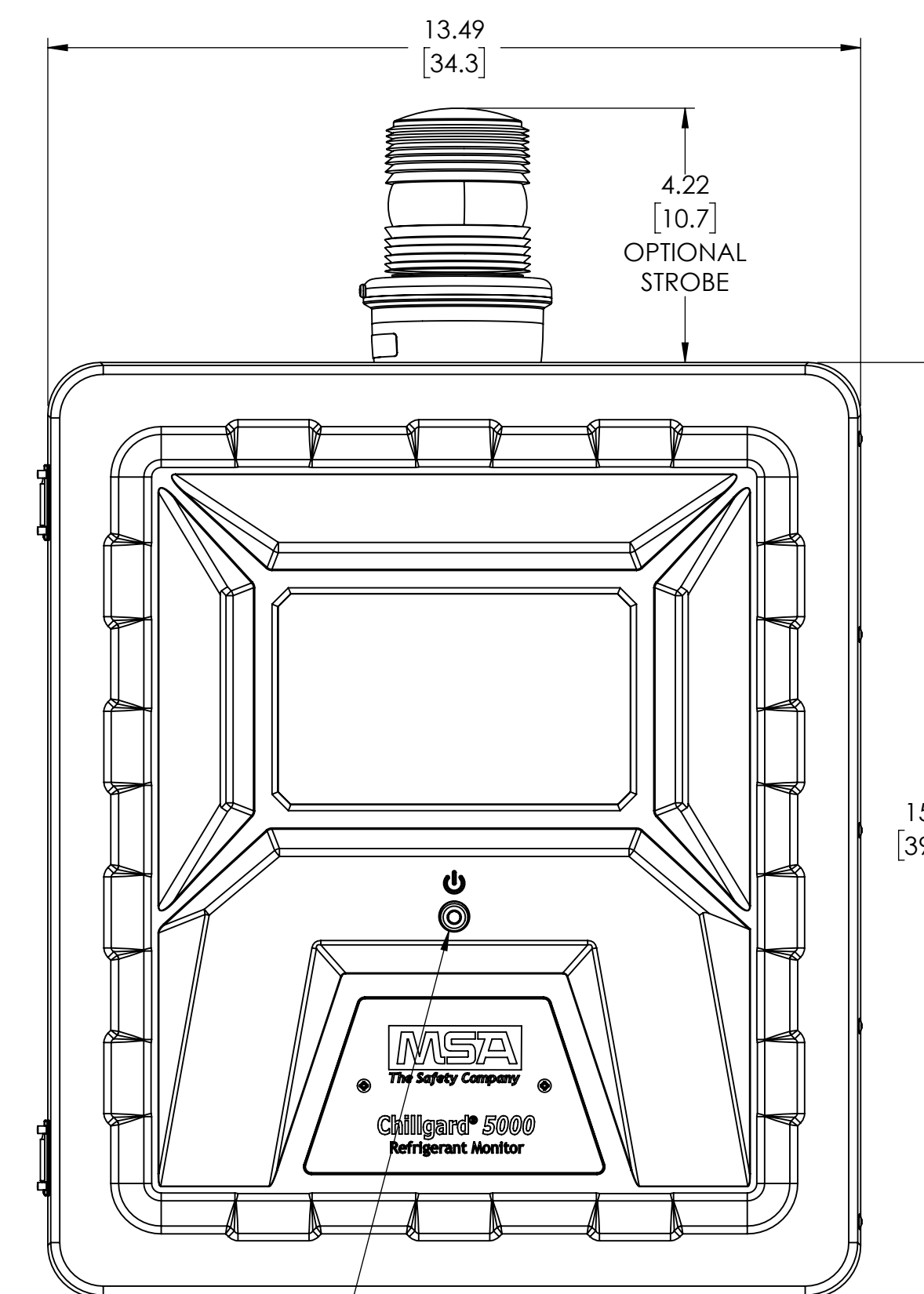
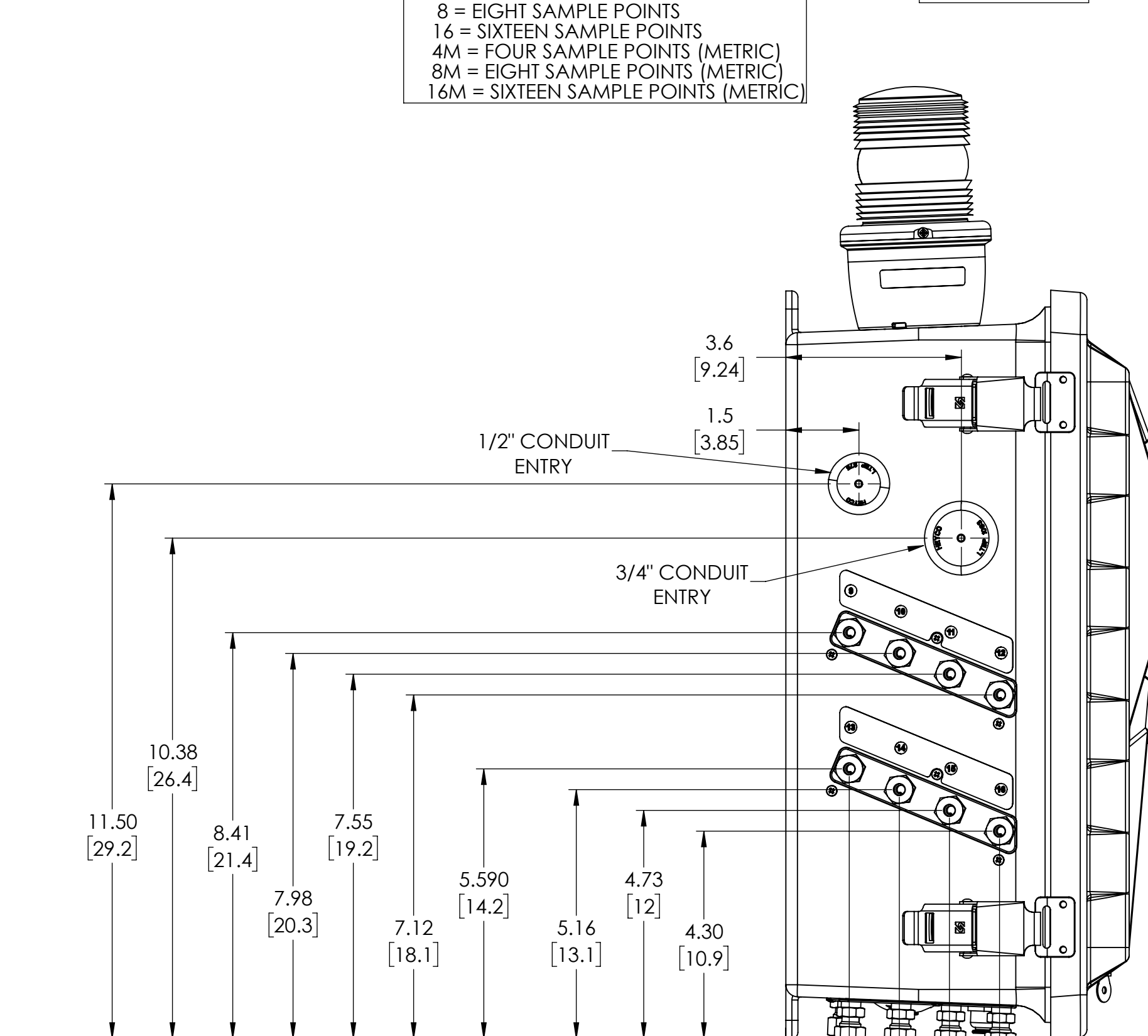
REVISIONS

D

C

B

A



REAR VIEW
PANEL MOUNTING HOLE LOCATIONS

BOTTOM VIEW

- NOTES:
1. DIMENSIONS SHOWN IN INCHES [CENTIMETERS]
2. FOR INDUSTRIAL ELECTROMAGNETIC ENVIRONMENTS, IT IS RECOMMENDED THAT A LOW IMPEDENCE CONNECTION BE MADE BETWEEN EARTH GROUND REFERENCE PLATE (SEE GROUND BAR SHEET 2) AND CUSTOMER PROTECTIVE EARTH (PE) USING SOLID 10AWG COPPER WIRE UP TO A MAXIMUM LENGTH OF 6.5FT/2 METERS.

LIFECYCLE STATE REVISION
Production 0



www.MSAafety.com
THIS DRAWING IS THE PROPERTY OF MSA - THE SAFETY COMPANY AND IS MADE AVAILABLE TO YOU IN CONFIDENCE AND SUBJECT TO THE FOLLOWING: NO PERMISSION IS GRANTED TO PUBLISH, USE, REPRODUCE, TRANSMIT OR DISCLOSE THIS DRAWING, OR ANY INFORMATION CONTAINED THEREIN TO OTHERS WITHOUT THE PRIOR WRITTEN CONSENT OF MSA - THE SAFETY COMPANY EXCEPT FOR THE MANUFACTURE OF ARTICLES FOR MSA - THE SAFETY COMPANY.

MSA STANDARD SHOP PRACTICES APPLY		APPROVAL AGENCY CODE: (N, M, Q, S, H, R, J, R, DOC.: (ex: SK3102-XX))	
CODE SYMBOLS CRITICAL Δ MAJOR A Δ MAJOR B Δ 100% INSPECTION Δ TOLERANCES UNLESS OTHERWISE SPECIFIED FRACTIONAL $\pm 1/64$ 2 PL DEC. ± 0.01 3 PL DEC. ± 0.005 ANGULAR ± 1 DEG. SEE MSA STANDARD SHOP PRACTICES FOR DRILLED HOLE TOLERANCES	JOB NO. 30013022 PH0705 DRAWN BY WJE DATE 9-19-2017 CHECKED BY A. TROUP 12-6-17 PROJECT ENGR. A. TROUP 12-6-17 QUALITY ASSURANCE D. COLL 12-7-17 MANUFACTURING M. ZIRNSAK 12-7-17	CHILLGARD 5000 INSTALLATION OUTLINE CADD REF: Top_Level_Enclosure_new SCALE: 1:1 SHEET D SK3015-1060 SHEET 1 OF 2	

CUSTOMER _____
P.O. NO. _____
MSA NO. _____
LOCATION _____
TAG NO. _____
TOTAL NO. OF UNITS _____

