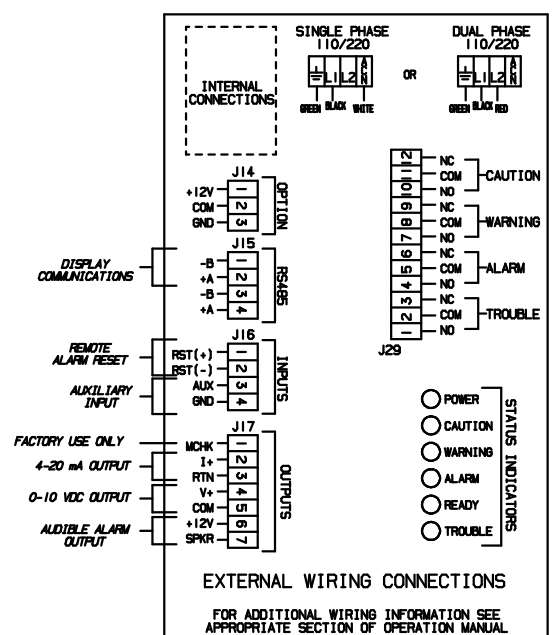


NOTE:
1. OPTIONAL STROBE SHOWN FOR REFERENCE.



DOCUMENT CONTROLLED BY	FILE REF. NO. J001-005	*THIS DRAWING IS THE PROPERTY OF MINE SAFETY APPLIANCES COMPANY, PITTSBURGH, PENNSYLVANIA, AND IS MADE AVAILABLE TO YOU IN CONFIDENCE AND SUBJECT TO THE FOLLOWING: NO PERMISSION IS GRANTED TO PUBLISH, USE, REPRODUCE, TRANSMIT OR DISCLOSE THIS DRAWING, OR ANY INFORMATION OR IDEA CONTAINED THEREIN TO OTHERS WITHOUT THE PRIOR WRITTEN CONSENT OF MINE SAFETY APPLIANCES COMPANY EXCEPT FOR THE MANUFACTURE OF ARTICLES FOR MINE SAFETY APPLIANCES COMPANY.	DO NOT SCALE DWG.
INTERCHANGEABLE-PART	MINE SAFETY APPLIANCES COMPANY PITTSBURGH, PA.		SCALE
AUTHORIZED COUNTRY	MSA STANDARD SHOP PRACTICES APPLY	JOB NO. E-610970	YES NO
AUSTRALIA	MSA EUROPE	DATE 12-10-97	AGENCY CONTROLLED
BRAZIL	NETHERLANDS	CHECKED BY R. J. CAMPBELL 1-27-98	CHEMGARD INFRARED MONITOR, SINGLE, FOUR, OR EIGHT POINT, INSTALLATION OUTLINE
CANADA	PERU	PROJECT ENGINEER R. J. CAMPBELL 1-27-98	QUALITY ASSURANCE
CHILE	S. AFRICA	3 PL. DEC. ±.005	MANUFACTURING M. KICHI 1-28-98
CHINA	S. E. ASIA	OTHERWISE SPECIFIED	
FINLAND	SPAIN	FRACTIONAL ±1/64"	
FRANCE	SWEDEN	2 PL. DEC. ±.01	
INDIA	SWITZERLAND	3 PL. DEC. ±.005	
ISRAEL	MSA BRITAIN	ANGULAR ±1/2°	
ITALY		SEE MSA STANDARD SHOP PRACTICES FOR DRILLED HOLE TOLERANCES.	
JAPAN			
KOREA			
MALAYSIA			
MEXICO			

REVISIONS	
①	1-19-98 INITIAL RELEASE A. REVISE MATRIX CODE 8 B. ADD NOTE 1 BAW RJC FEB 05 1998
②	11-17-98 REMOVED MATRIX TEXT ECO 500000122900 JCV RJC NOV 30 1998
③	1-22-99 REPLACE FLOW DIAGRAMS W/ DIAGRAMS PARTS 711487, 711488 & 711489 ECO 500000132614 JCV DLW FEB 03 1999
④	6-9-99 REMOVED SPECIFICATION TABLE ECO-500000134946 LW RJC JUN 17 1999
⑤	8-1-2000 ADDED STROBE AND NOTE ECO-500000140220 BJT KPR AUG 16 2000
⑥	8-8-01 CHEMGARD WAS MODEL 3800 ECO-500000144726 LRB AWR

⑥