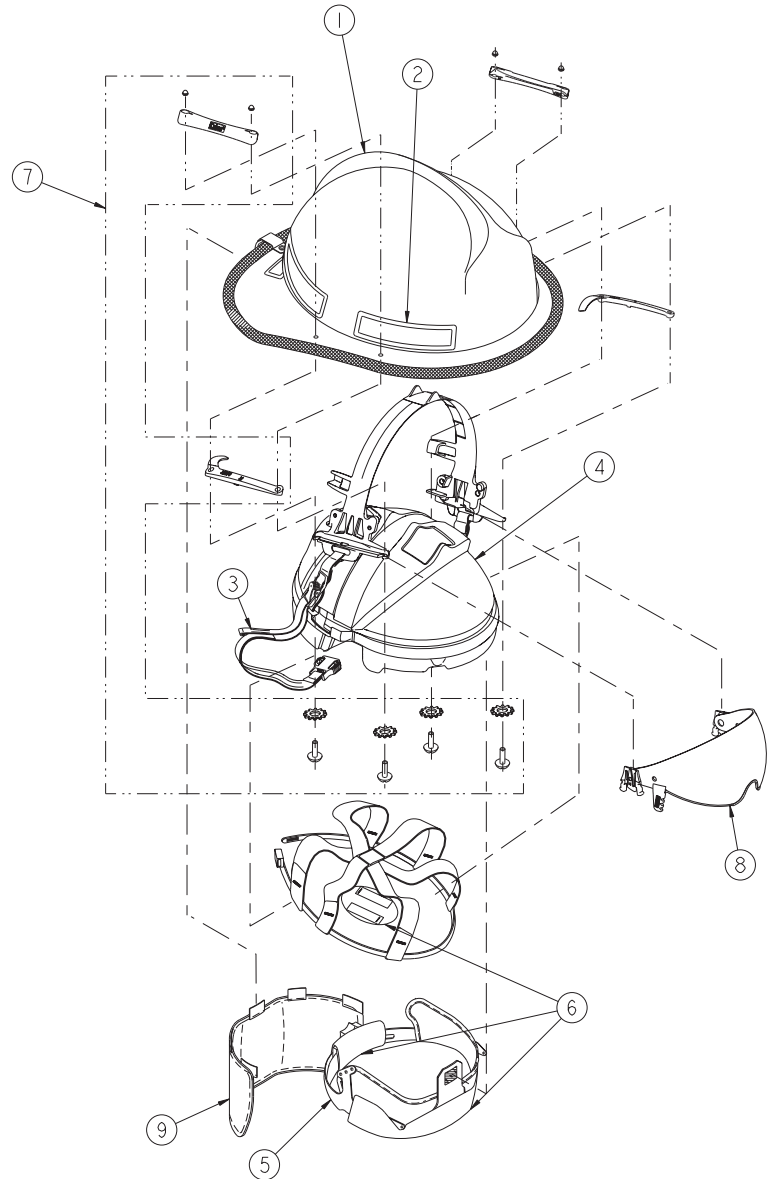


Replacement Parts for Cairns® 660C Metro/664 Invader Fire Helmets with Defender® Visor

Item	Description	Replacement P/N	
1.	Helmet Shell Complete *Specify by Color	660 Defender	664 Defender
	Black	10092360	10092385
	Red	10092359	10092384
	Blue	10092356	
	White	10092358	10092383
	Yellow	10092361	10092386
	Orange	10092357	
	Green	10096234	
2.	Reflexite Bar - Lime / Yellow	RT16Y	
	Scotchlite Bar - Lime / Yellow	ST16Y	
3.	Chinstrap Replacement		
	Nomex w/ Quick Release Buckle	C892P	
	Nomex w/ Quick Release Buckle & Postman's Slide	C893P	
4.	Impact Cap Assemblies		
	with Quick Release Chinstrap, Standard	10096894	
	with Quick Release & Postman's Slide Chinstrap, Standard	10096895	
	with Quick Release Chinstrap, Deluxe	10096896	
	with Quick Release & Postman's Slide Chinstrap, Deluxe	10096897	
5.	Ratchet Headband Assembly	RHBP	
6.	Headband & Ratchet Liner		
	Economy Flannel	LK27P	
	Standard Flannel	LK28P	
	Deluxe Leather (Includes Flannel Crown Pad)	LK29P	
7.	Defender, Tab, Retainer Replacement	10096795	
8.	Defender Lens Assembly		
	Clear	10077117	
	Amber Tuffshield	10077118	
	Smoke	10077119	
	Mirrored	10077120	
9.	Earlaps		
	Nomex	10075773	
	PBI / Kevlar	10075774	



Note: This Bulletin contains only a general description of the products shown. While uses and performance capabilities are described, under no circumstances shall the products be used by untrained or unqualified individuals and not until the product instructions including any warnings or cautions provided have been thoroughly read and understood. Only they contain the complete and detailed information concerning proper use and care of these products.



ID 3600-59-MC / July 2008
© MSA 2008 Printed in U.S.A.

Corporate Headquarters
P.O. Box 426, Pittsburgh, PA 15230 USA
Phone 412-967-3000
www.MSAFire.com
U.S. Customer Service Center
Phone 1-877-MSA-FIRE
Fax 1-800-967-0398
MSA Canada
Phone 1-800-MSA-2222
Fax 905-238-4151

MSA Mexico
Phone (52) 55 2122 5770
Fax (52) 55 5359 4330
MSA International
Phone 412-967-3354
FAX 412-967-3451

MSA
The Safety Company