

PremAire[®] *System*

and

Combination Breathing Apparatus

CARRIER AND HARNESS ASSEMBLY



For More Information: Call (1-800-MSA-2222) or Visit Our Website at (www.MSAnet.com)

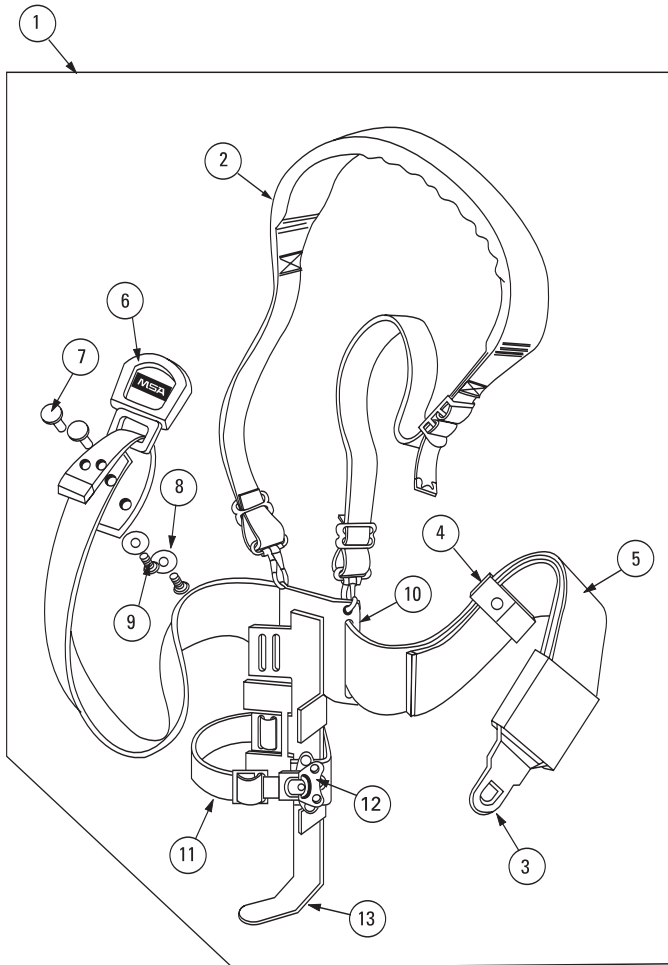
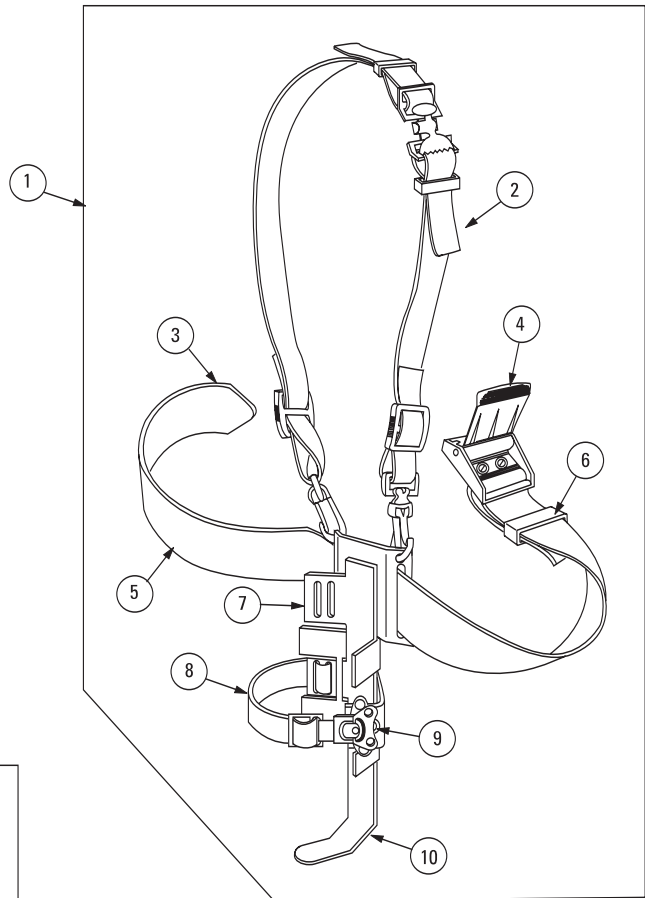
MSA

Be Sure.
Choose MSA.

MINE SAFETY APPLIANCES COMPANY
PITTSBURGH, PENNSYLVANIA, U.S.A. 15230

Cylinder Carrier Assembly

Item	Part No.	Description
1	494015	CARRIER URETHANE
2	492737	SHOULDER STRAP
3	492827	BELT ASSEMBLY
4	497655	BUCKLE ASSEMBLY
5	494068	BELT
6	635133	LOOP
7	492724	CYLINDER CARRIER
8	817164	CYLINDER STRAP
9	637552	LOCK AND CATCH
	66691	SCREW (2)
	66707	LOCK WASHER (2)
	61765	NUT (2)
10	492717	BRACKET



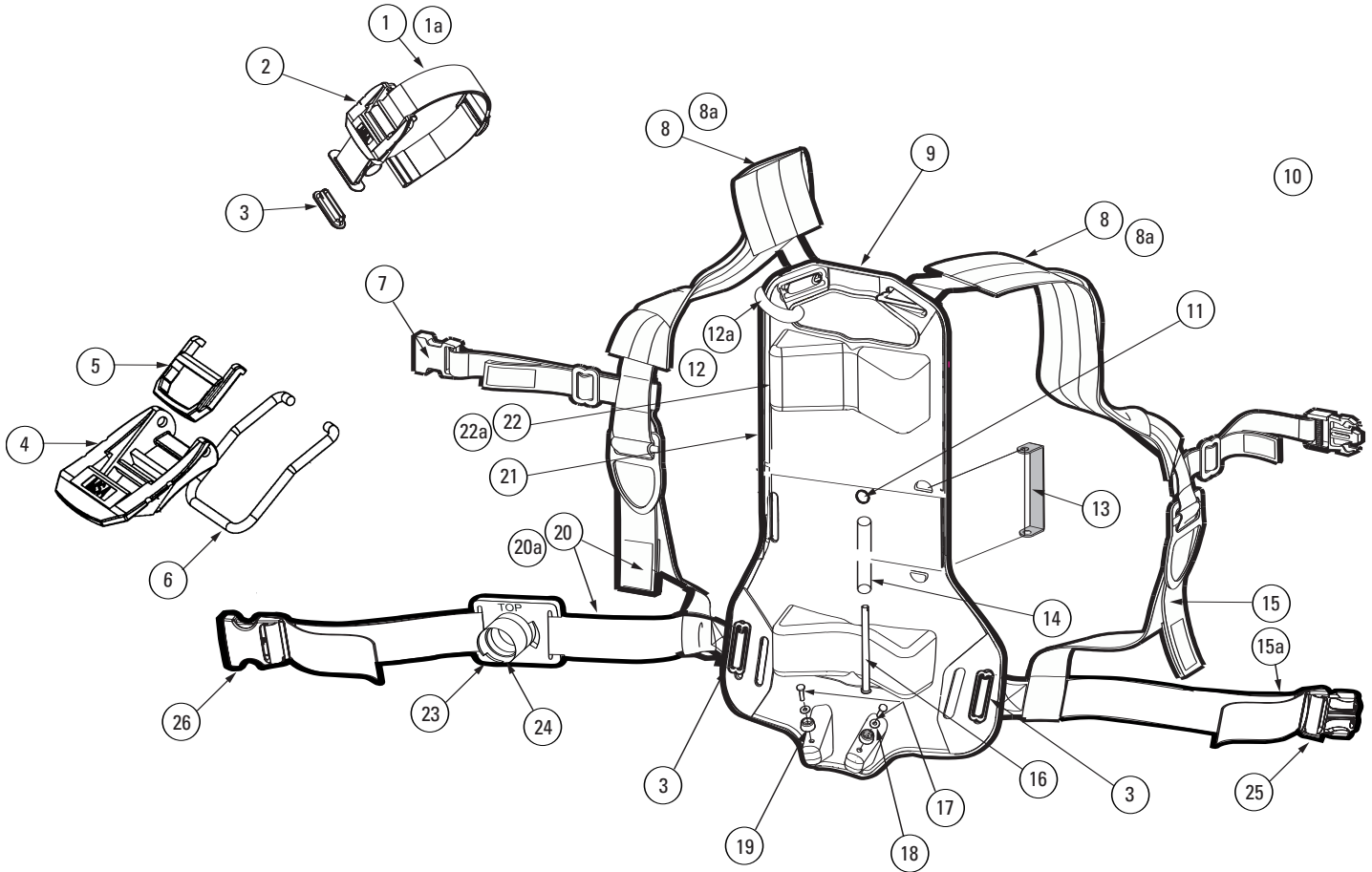
Item	Part No.	Description
1	470198	CARRIER ASSEMBLY
	802991	NYLON (Belt Assembly, 494030)
2	474929	NOMEX (Belt Assembly, 802811)
	474929	SHOULDER STRAP
3	635177	TONGUE
	816624	NYLON
4	474408	STRAP SUPPORT
	481291	NYLON
5	475240	BELT
	802812	NYLON
6	630918	BUCKLE
	816618	NYLON
7	66833	TEENUT (2)
8	66862	WASHER (2)
9	66309	SCREW (2)
10	492724	CYLINDER CARRIER
11	817164	CYLINDER STRAP
12	637552	LOCK AND CATCH
	66691	SCREW
	66707	LOCK WASHER
	61765	NUT
13	492717	BRACKET

Airhawk

Carrier and Harness Assembly

Nylon part number 10037276

Kevlar part number 10037277



Item	P/N	Description	Item	P/N	Description
1	10042344	Nylon Cylinder Band	15	10037258	Right Pull Strap Nylon
1a	10042345	Kevlar Cylinder Band	15a	10037259	Right Pull Strap Kevlar
2	10026846	Cylinder Band Buckle	16	10005950	Pin
3	10030617	Grommet (3 Req'd)	17	627503	Rivet (2 Req'd)
4	10026846	Buckle	18	10014635	Washers (2 Req'd)
5	10026847	Slide, Buckle	19	10014666	Bumper (2 Req'd)
6	10026848	Loop, Buckle	20	10037256	Left Pull Strap Nylon
7	10038691	Check Strap Nylon Kit (optional)	20a	10037257	Left Pull Strap Kevlar
8	10037254	Nylon Left/Right Shoulder Strap	21	10037784	Backplate
8a	10037255	Kevlar Left/Right Shoulder Strap	22	10040727	I.D. Label Nylon
9	10030616	Grommet	22a	10040728	I.D. Label Kevlar
10	1011767	Lumbar Pad (use only with Vulcan)(optional)	23	10022245	Belt Clip
11	10005952	Retaining Ring	24	10018222	O-Ring
12	10040423	Hose Strap Nylon	25	10040450	Male Buckle
12a	10040424	Hose Strap Kevlar	26	10040451	Female Buckle
13	10005785	Bracket	27	10037253	Shoulder Pads (not shown, option)
14	10037270	Bushing (2 Req'd)			

CARRIER AND HARNESS ASSEMBLY

CARRIER AND HARNESS ASSEMBLY

Replacing the Shoulder Strap Assembly

1. Disconnect the shoulder harness snap hooks from the carrier assembly.

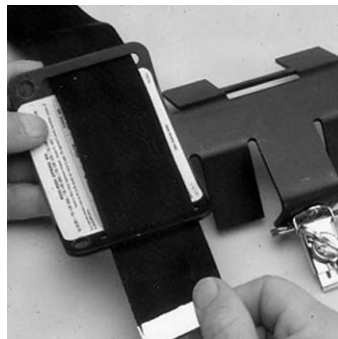


2. Install new shoulder strap assembly by attaching snaphooks to the carrier assembly.

Replacing the Waist-Strap

1. Unthread the waist-strap from the buckle. Pull strap through the cylinder carrier bracket slots. Slide strap through second stage regulator holder. Note the path of the strapping.

2. Thread the new strap through the second stage regulator holder, then through cylinder carrier bracket, then through the belt buckle.

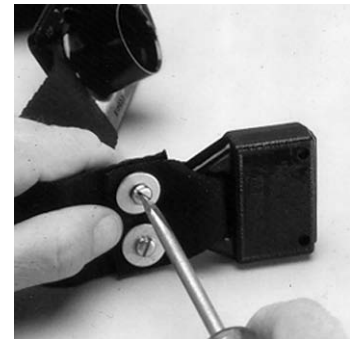


REPLACING THE OPTIONAL FHR OR NYLON WAIST-STRAP ASSEMBLY

1. Remove the screws, washers, tee nuts and second stage holder, then remove waist-strap from cylinder carrier.

Note: Before installation of new waist belt, apply Loctite 222 to screw threads.

2. Install new waist-strap through the second stage holder by orienting the strap and replacing the screws, washers and tee nuts.





For More Information: Call (1-800-MSA-2222) or Visit Our Website at (www.MSAnet.com)



Be Sure.
Choose MSA.

MINE SAFETY APPLIANCES COMPANY
PITTSBURGH, PENNSYLVANIA, U.S.A. 15230