



Mine Safety Appliances Company • P.O. Box 426 • Pittsburgh, PA 15230

Telephone: (412) 967-3000

Writers Direct Dial No.

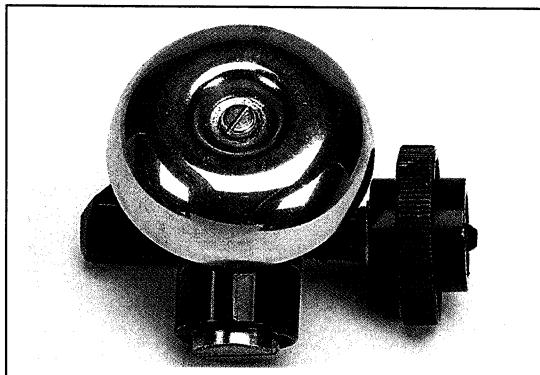
Important User Notice
Audi-Larm™ Low-Pressure Audible Alarms

July 23, 2002

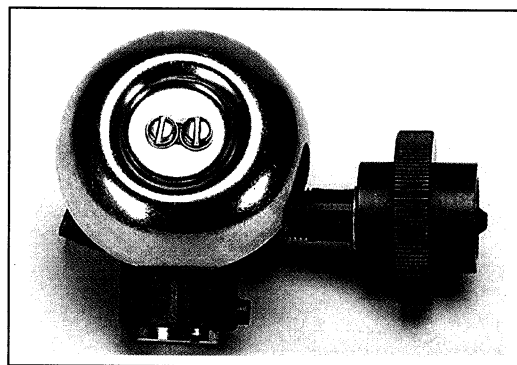
To: All users of MSA self-contained breathing apparatus (SCBA) and other supplied-air respiratory products equipped with the Audi-Larm low-pressure audible alarm

The purpose of this notice is to advise all users of SCBA and other respirators having an Audi-Larm audible alarm to perform a bell tightness inspection to ensure that the Audi-Larm bell is tight. It is also intended to alert users of Audi-Larm audible alarms having a single screw retaining the bell of an important upgrade. This notice applies only to the Audi-Larm bell type alarm and does not involve the electronic redundant alarm. The inspection and upgrade address the possibility of an Audi-Larm bell becoming loose. Should the bell loosen, it may become positioned such that the alarm may not sound at low cylinder pressure as needed. Failure of the alarm to warn the user of the end of the air supply could result in serious injury or death.

MSA has notified NIOSH of this issue and they support our recommendations as outlined below. Please carefully review this notice and follow the guidance provided as soon as possible to be sure that your Audi-Larm audible alarm functions as intended.



Single Screw Audi-Larm Alarm



Dual Screw Audi-Larm Alarm

Bell Tightness Inspection:

MSA requests that you inspect all Audi-Larm audible alarms on SCBA that are in your possession to ensure that the bell is tight in accordance with our current user instructions. Also inspect Audi-Larm audible alarms used on combination SCBA/SAR units as well as airline respirator systems. If the bell can be turned or tilted to any degree by hand, remove the SCBA or respiratory product from service until the appropriate maintenance is performed as indicated below.

LOCATION: RIDC Industrial Park • 121 Gamma Drive • Pittsburgh, PA 15238

Single Screw Audi-Larm Audible Alarms:

MSA is making available a free upgrade kit (P/N 10040817) for users with Audi-Larm audible alarms with a single screw retaining the bell. This upgrade kit must be installed on all single screw Audi-Larm audible alarms in your possession as soon as possible. The single screw alarm was used on belt-mounted (BMR) SCBA manufactured before 1993. It was also used and continues to be used on certain airline respirator systems.

The upgrade kit consists of a new hex head screw fastener and assembly instructions. Only a properly trained and certified repair technician may install the new screw fastener. If you have an MSA certified repair technician at your facility, please contact MSA Customer Service toll free at 1-877-MSA-3473 to obtain the appropriate number of upgrade kits. Otherwise, please contact your local MSA authorized distributor to arrange for installation of this important upgrade. This upgrade kit must be installed on all single screw Audi-Larm audible alarms in your possession as soon as possible.

This upgrade does not replace the need to inspect the bell for tightness after each use of the SCBA as specified in the operation instructions. You must continue to do this. However, should the bell need to be replaced or in the unlikely event that it becomes loose, only properly trained and certified repair personnel may perform the necessary repairs. Please note that this is a new requirement and that it differs from the current user maintenance instructions, which do not require that a certified technician perform this repair.

Dual Screw Audi-Larm Audible Alarms:

Audi-Larm audible alarms with two screws retaining the bell are used on all MMR SCBA and on BMR SCBA manufactured since 1993. Although we determined that an upgrade is necessary for the single screw alarm and are making available the kit described above, this upgrade does not apply to the dual screw alarm. MSA is not recommending that the dual screw alarm be upgraded. However, if the bell needs to be replaced or in the unlikely event that it becomes loose, contact MSA Customer Service at 1-877-MSA-3473 for specific instructions.

MSA is committed to product excellence and we trust that you will promptly implement these important precautionary measures to address this potential safety concern. If you have any questions, please feel free to contact MSA Customer Service toll-free at 1-877-MSA-3473.

Very truly yours,


Charles J. Seibel, Jr.
Manager of Product Safety