

MMR

Low Pressure

PARTS LIST

Certified Maintenance

For More Information, call 1-800-MSA-2222 or Visit Our Website at www.MSAnet.com



MINE SAFETY APPLIANCES COMPANY
CRANBERRY TWP., PENNSYLVANIA, U.S.A. 16066

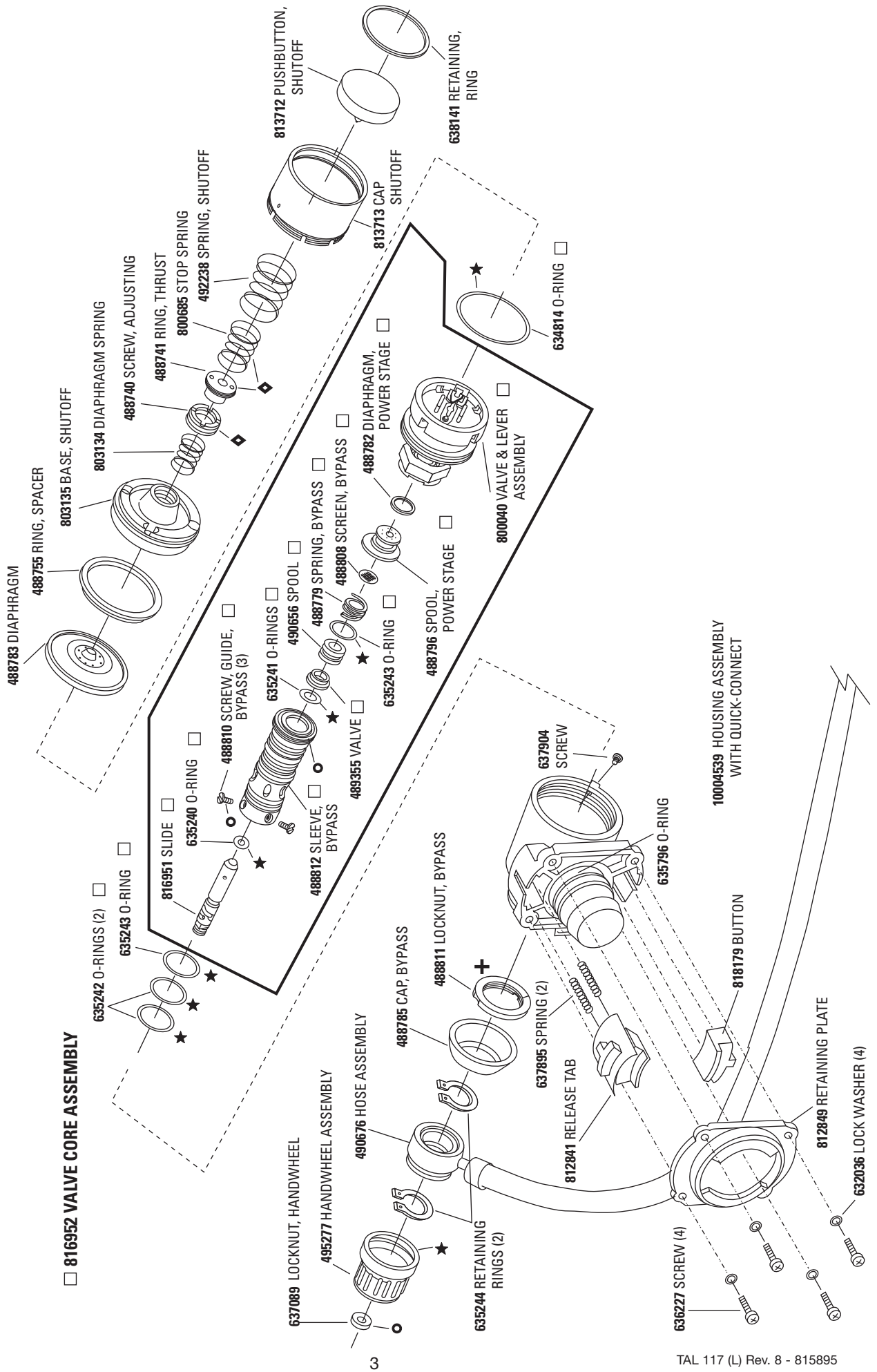
KEY

COMPONENTS OUTLINED MAY ONLY
BE PURCHASED BY MSA TRAINED
AND CERTIFIED REPAIR PERSONS.

- ★ 604070 LUBRICANT
- 29787 SEALANT (LOCTITE 222)
- ❖ 602976 ADHESIVE
- ◇ 603556 ADHESIVE
- ⊕ 602706 ADHESIVE
- ⌘ 494992 LUBRICANT (LIQUID SILICONE)

Mask Mounted Regulator Assembly

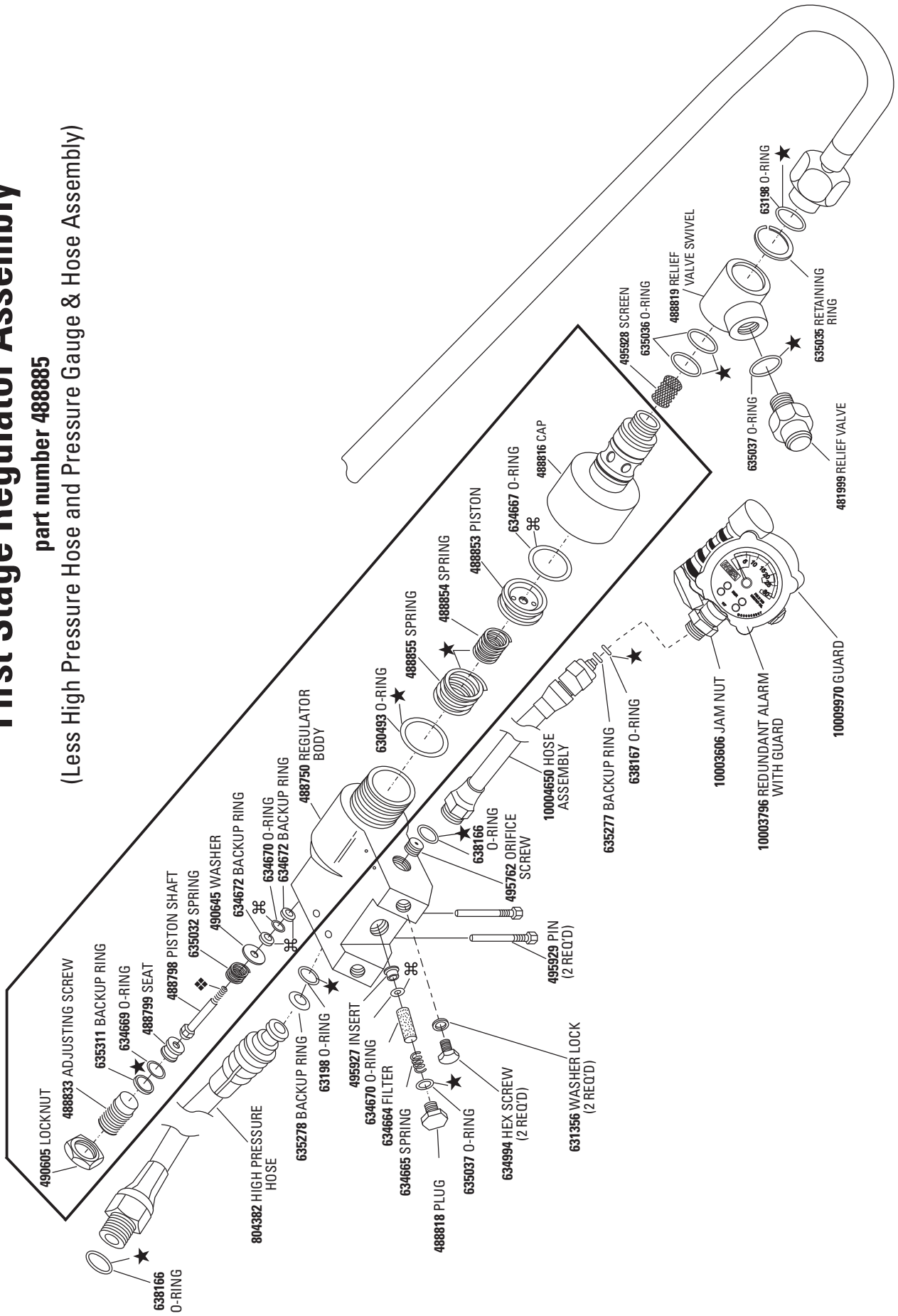
part number 812857 (Quick-Connect, 1/4 turn)



First Stage Regulator Assembly

part number 488885

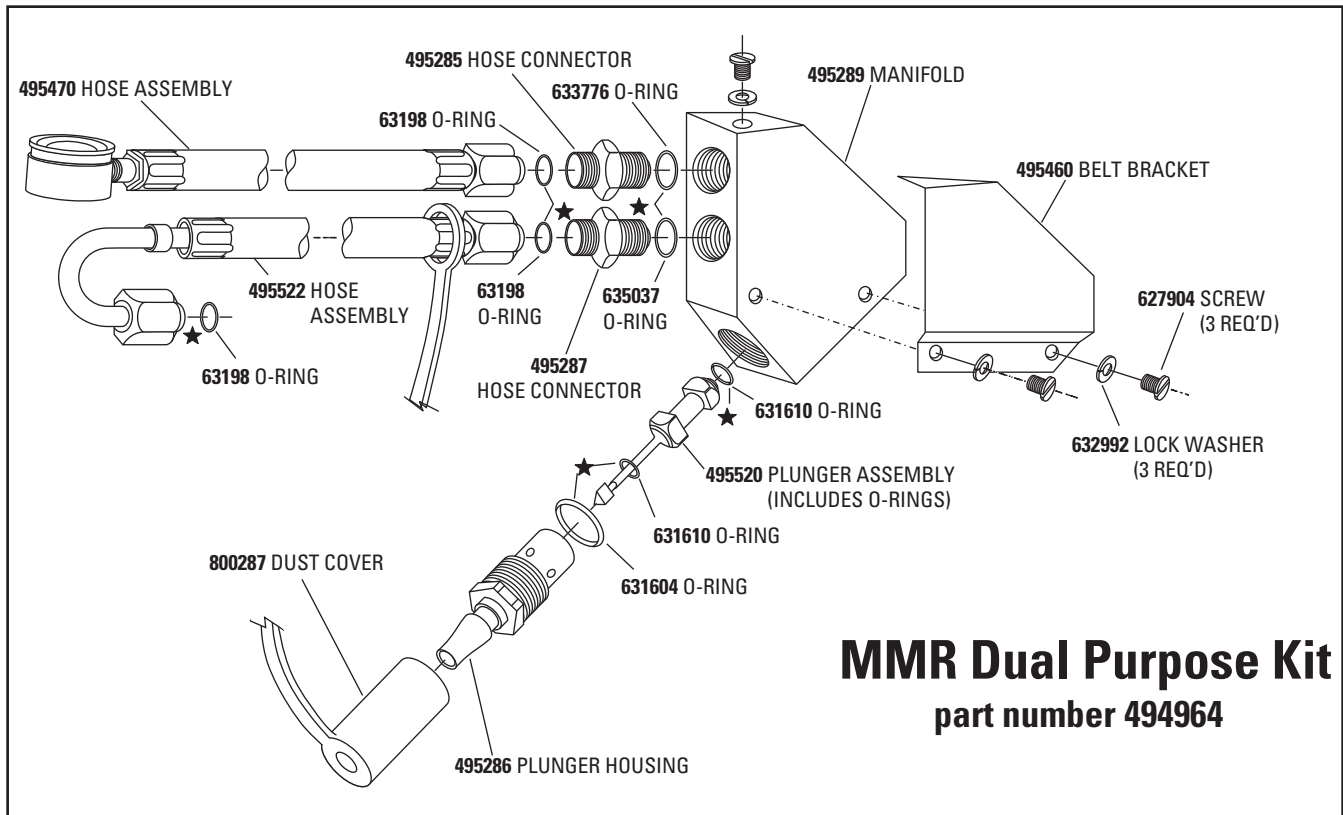
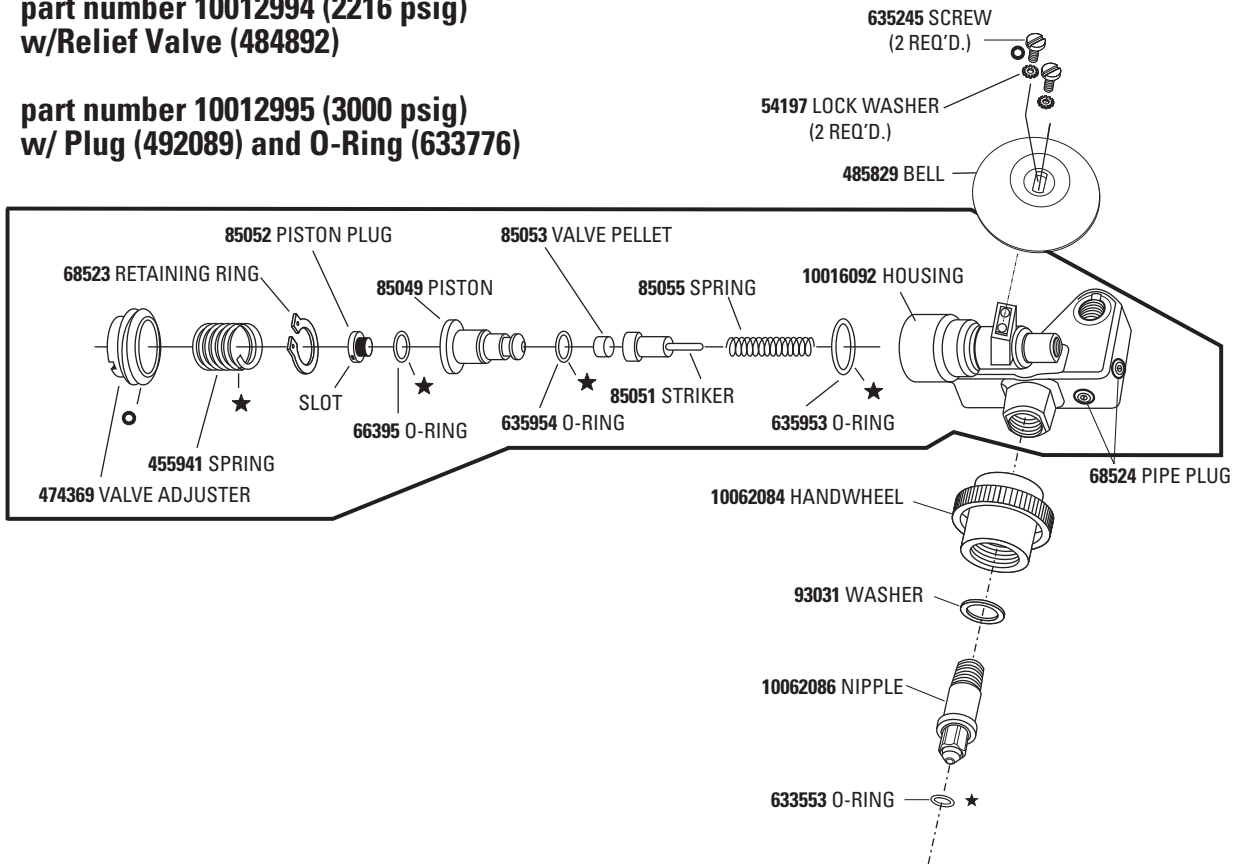
(Less High Pressure Hose and Pressure Gauge & Hose Assembly)



Audi-Larm™ Assembly

part number 10012994 (2216 psig)
w/Relief Valve (484892)

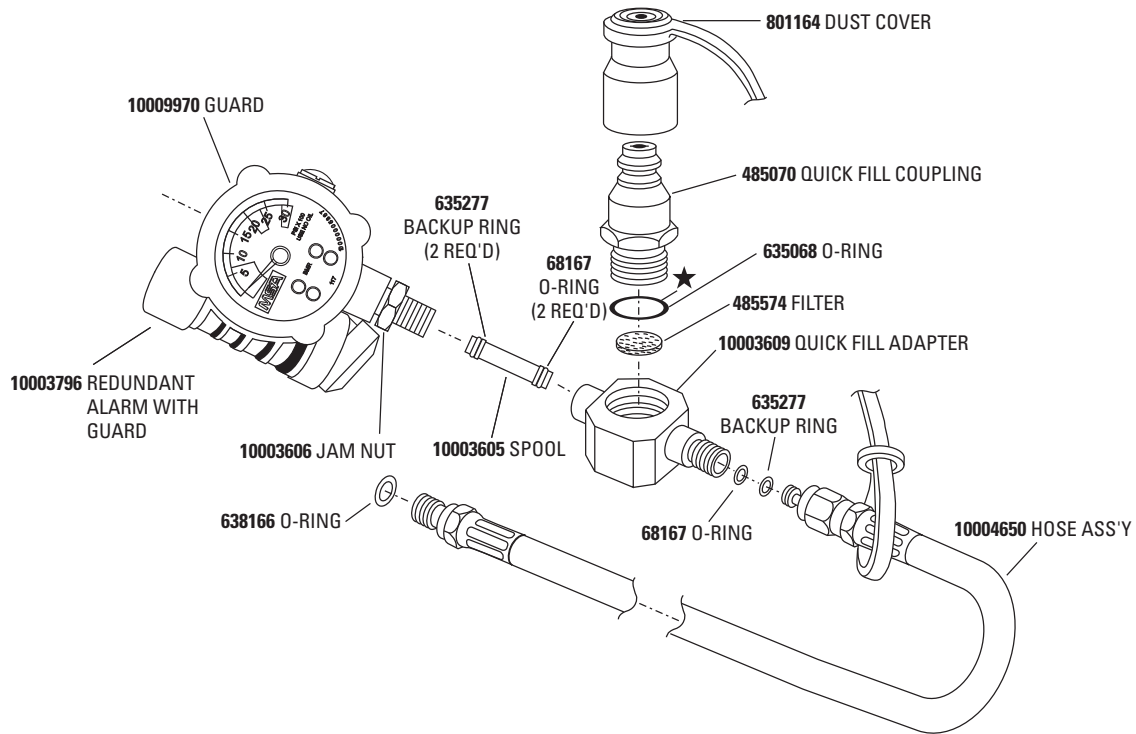
part number 10012995 (3000 psig)
w/ Plug (492089) and O-Ring (633776)



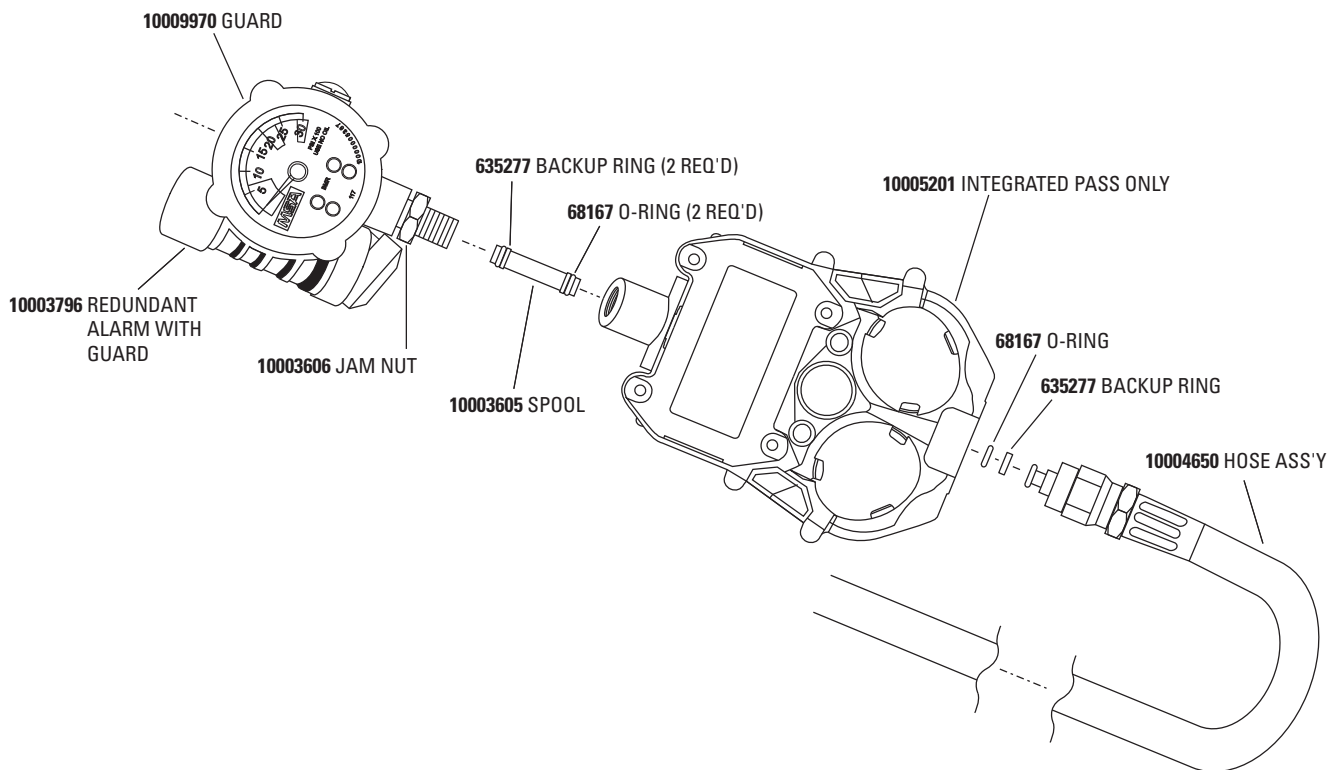
MMR Dual Purpose Kit part number 494964

MMR Quick-Fill® Kit P/N 10005061

(Gauge Line)



MMR DragonFly™ IP



For More Information, call 1-800-MSA-2222 or Visit Our Website at www.MSAnet.com



MINE SAFETY APPLIANCES COMPANY
CRANBERRY TWP., PENNSYLVANIA, U.S.A. 16066