

# MMR High Pressure

**PARTS LIST**

## Certified Maintenance

For More Information, call 1-800-MSA-2222 or Visit Our Website at [www.MSAnet.com](http://www.MSAnet.com)



**MINE SAFETY APPLIANCES COMPANY**  
**CRANBERRY TWP., PENNSYLVANIA, U.S.A. 16066**

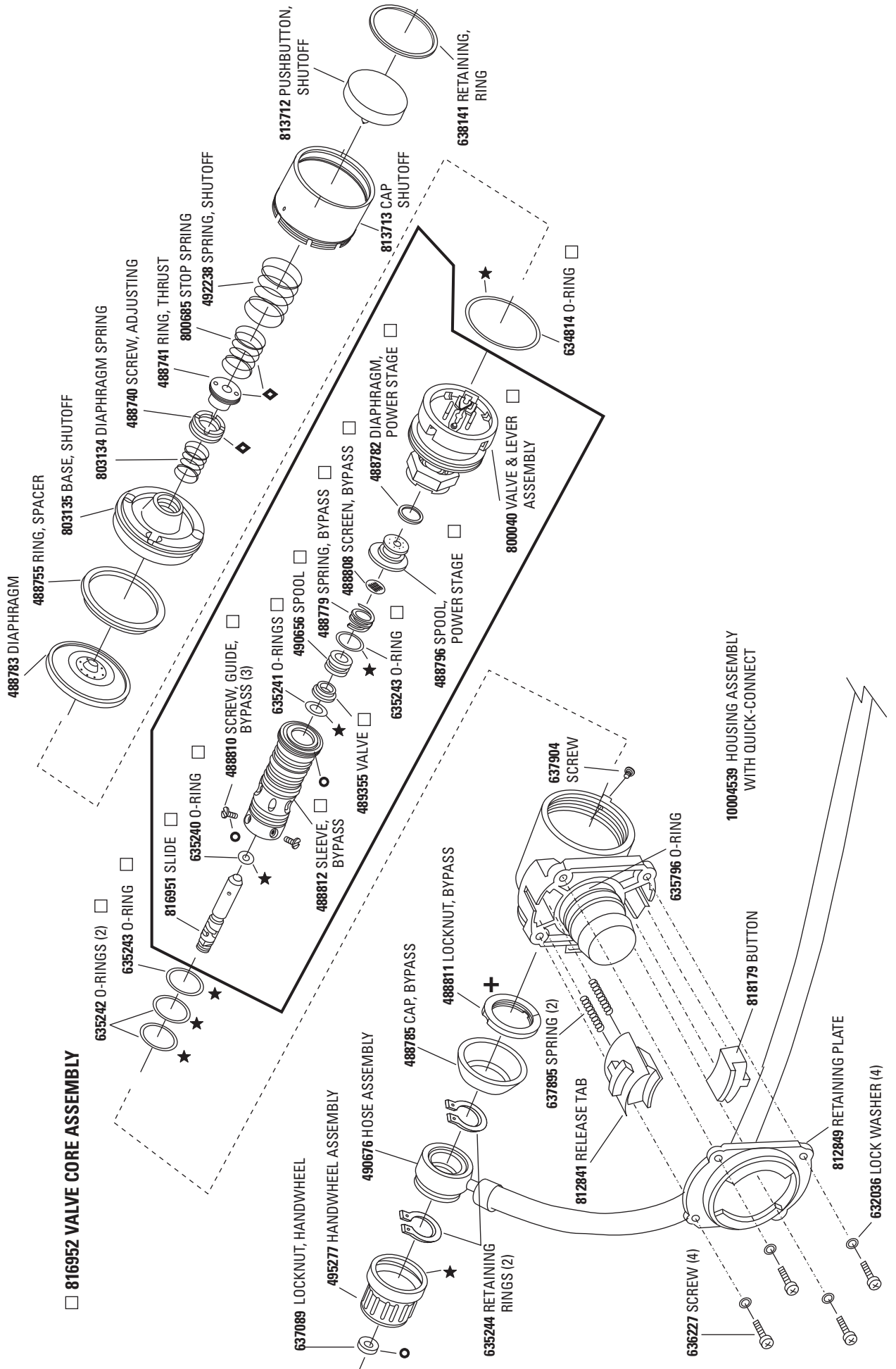
# KEY

**COMPONENTS OUTLINED MAY ONLY  
BE PURCHASED BY MSA TRAINED  
AND CERTIFIED REPAIR PERSONS.**

- ★ 604070 LUBRICANT
- 29787 SEALANT (LOCTITE 222)
- ❖ 602976 ADHESIVE
- ◇ 603556 ADHESIVE
- ⊕ 602706 ADHESIVE
- ⌘ 494992 LUBRICANT (LIQUID SILICONE)

# Mask Mounted Regulator Assembly

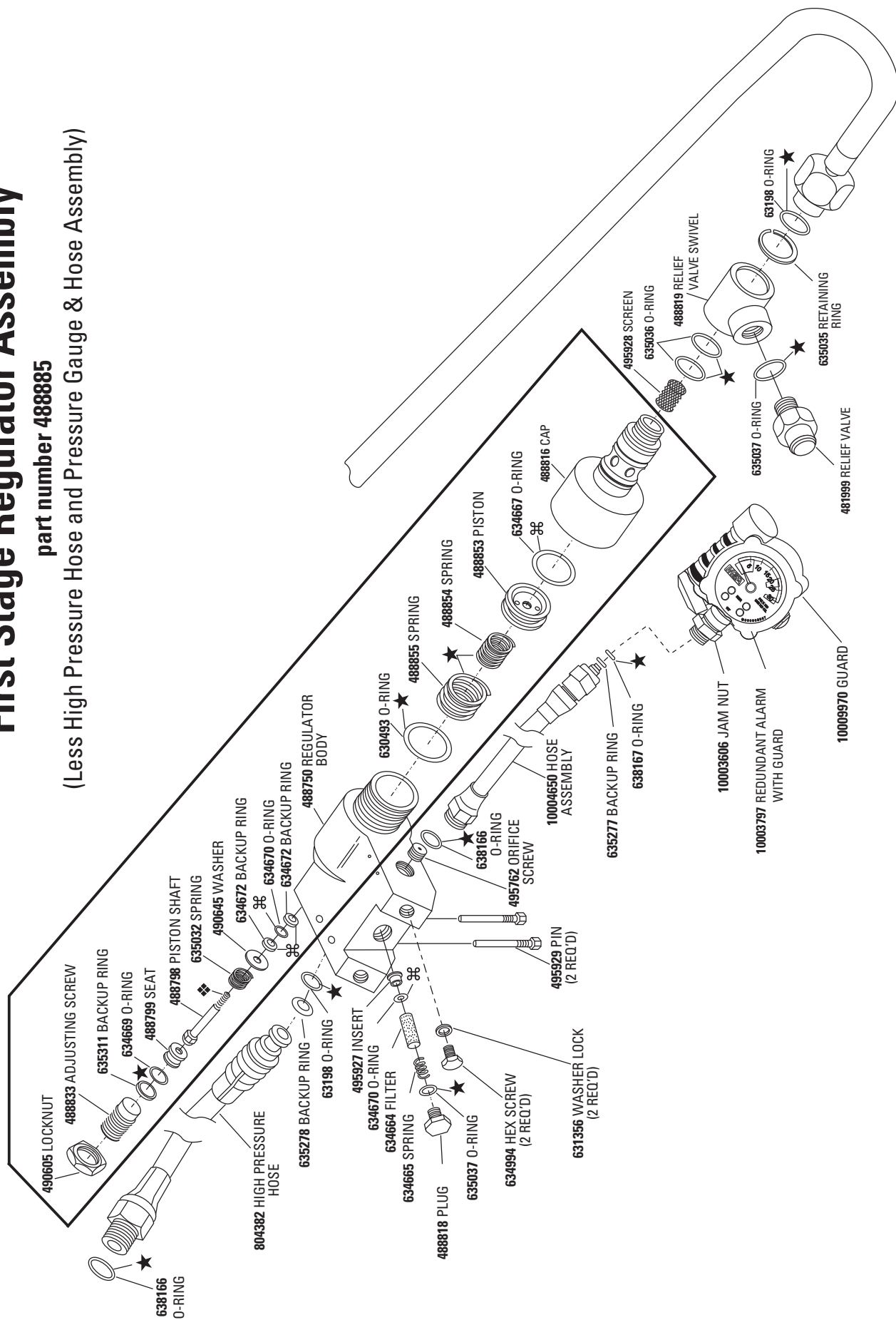
part number 812857 (Quick-Connect, 1/4 turn)



# First Stage Regulator Assembly

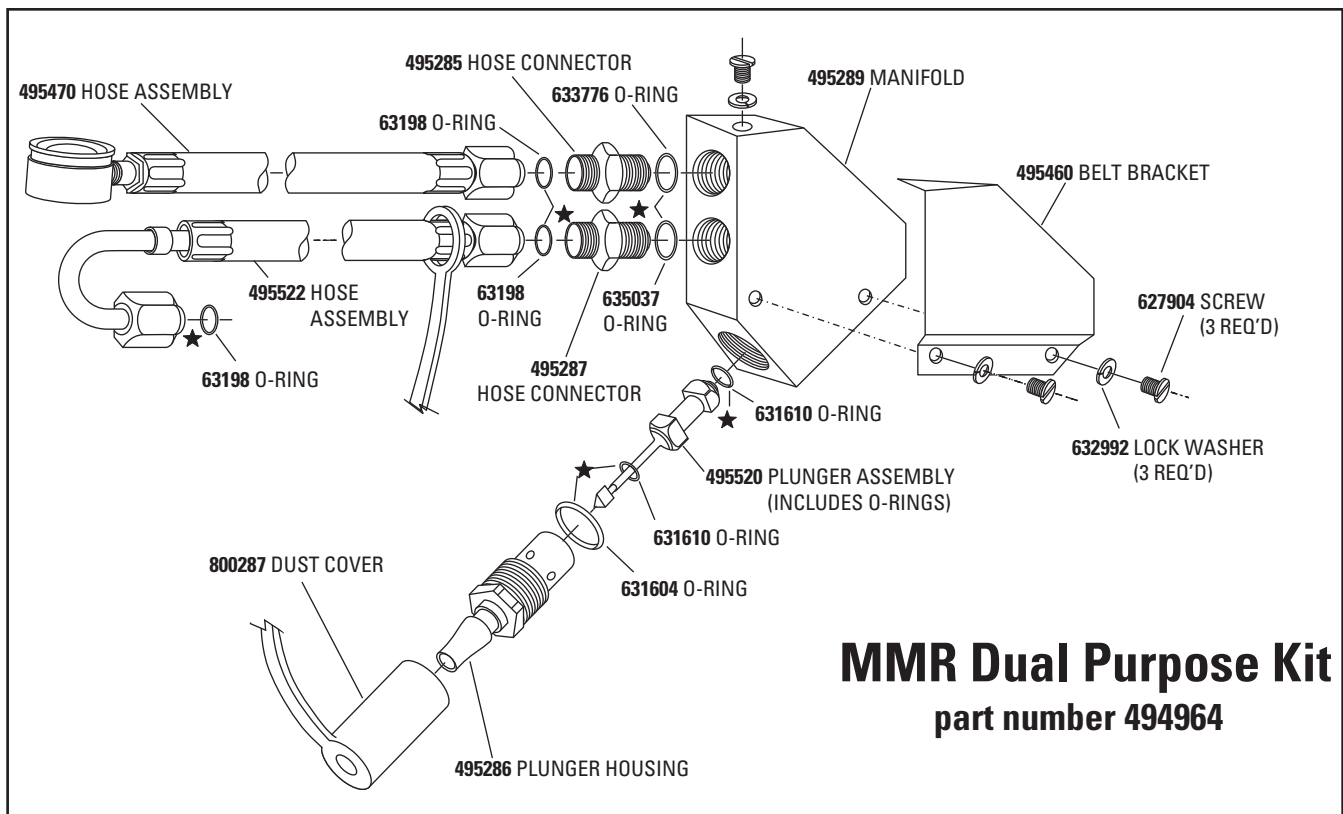
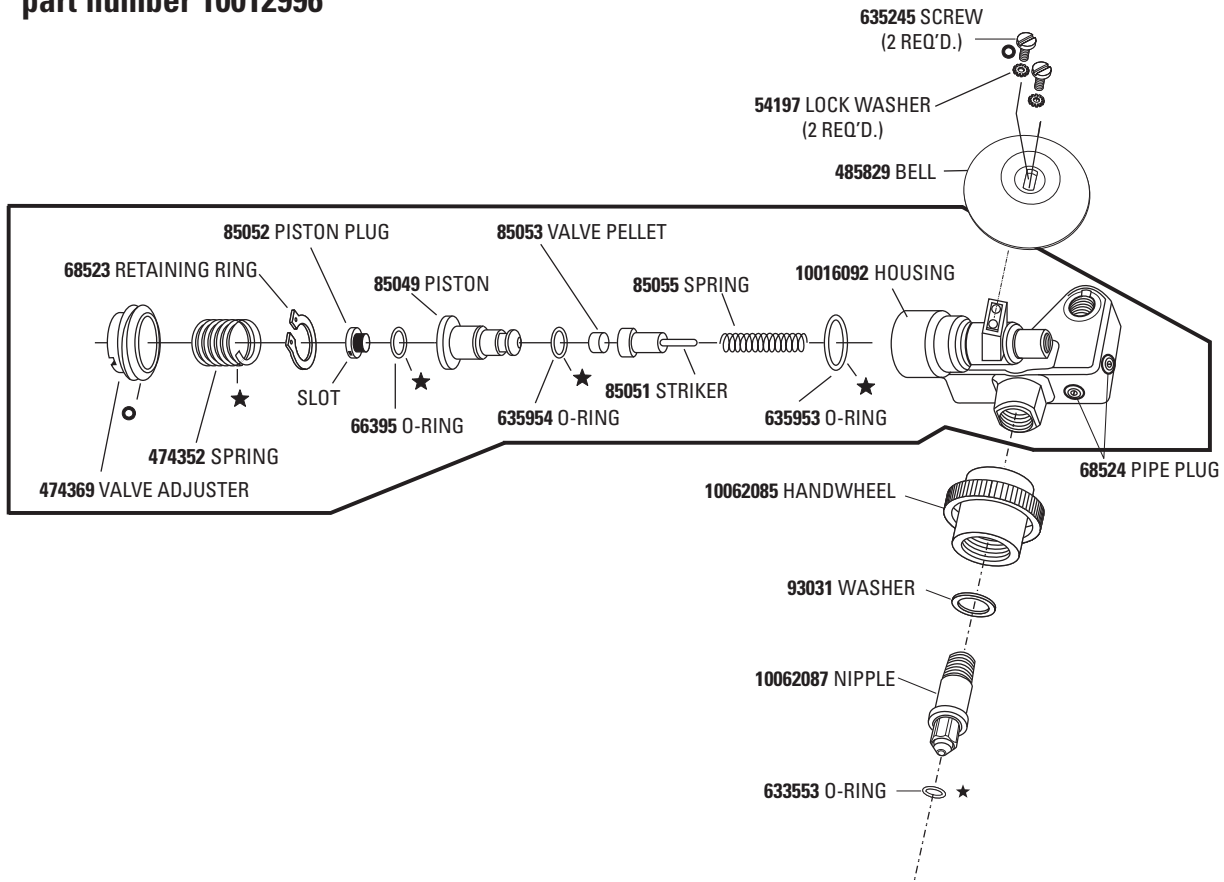
part number 488885

(Less High Pressure Hose and Pressure Gauge & Hose Assembly)



# Audi-Larm™ Assembly

part number 10012996

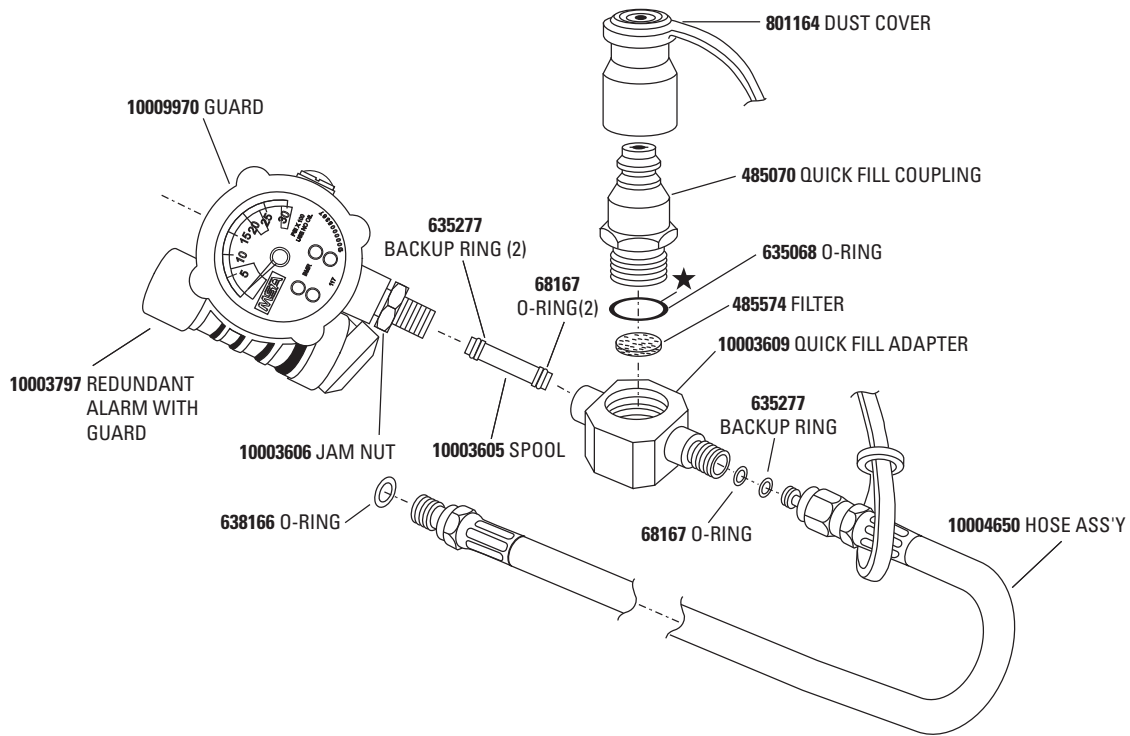


## MMR Dual Purpose Kit

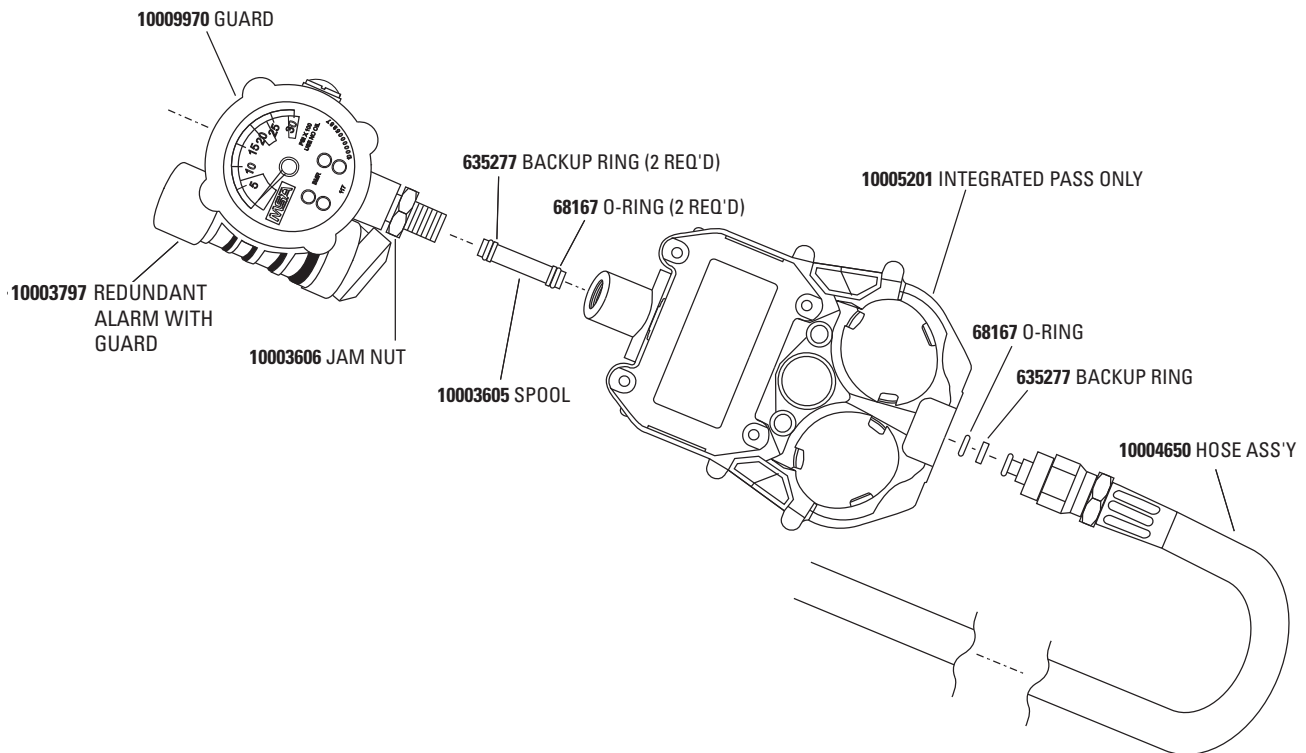
part number 494964

# MMR Quick-Fill® Kit P/N 10005062

## (Gauge Line)



# MMR DragonFly™ IP







For More Information: Call (1-800-MSA-2222) or Visit Our Website at ([www.MSAnet.com](http://www.MSAnet.com))



Be Sure.  
Choose MSA.

**MINE SAFETY APPLIANCES COMPANY**  
PITTSBURGH, PENNSYLVANIA, U.S.A. 15230