

MMR High Pressure

PARTS LIST

Air Mask Pressure Demand Type

NFPA 1981-1997 Edition Compliant



For More Information: Call (1-800-MSA-2222) or Visit Our Website at (www.MSAnet.com)

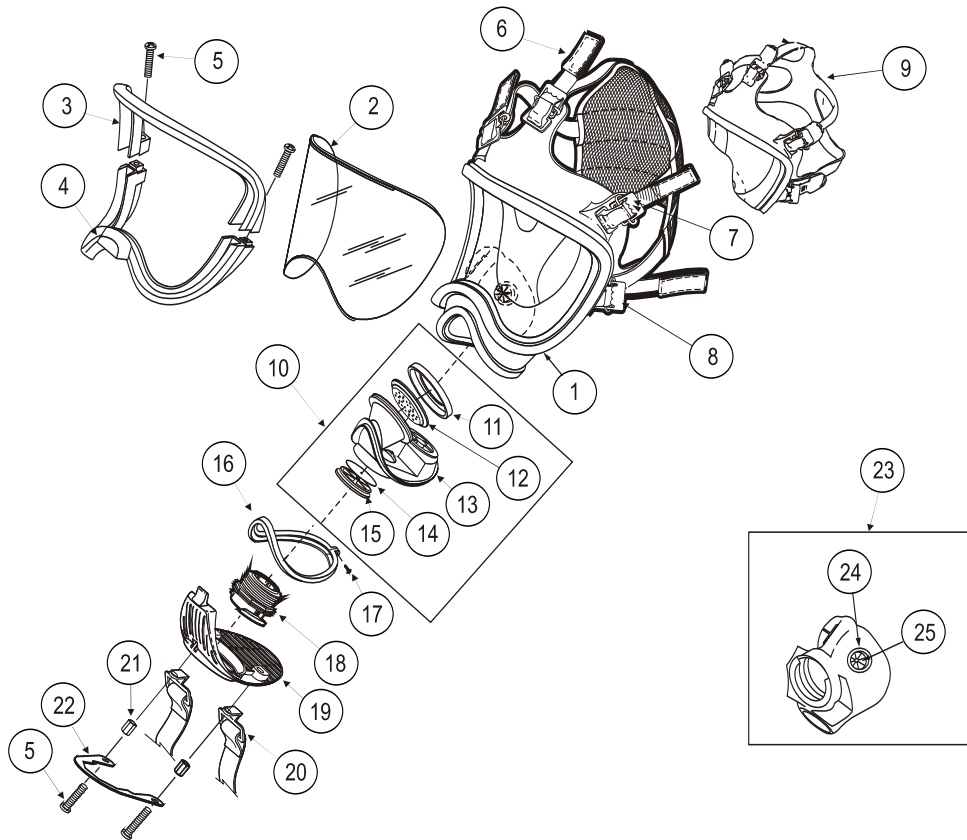
MSA

Be Sure.
Choose MSA.

MINE SAFETY APPLIANCES COMPANY
PITTSBURGH, PENNSYLVANIA, U.S.A. 15230

MMR Ultra Elite®

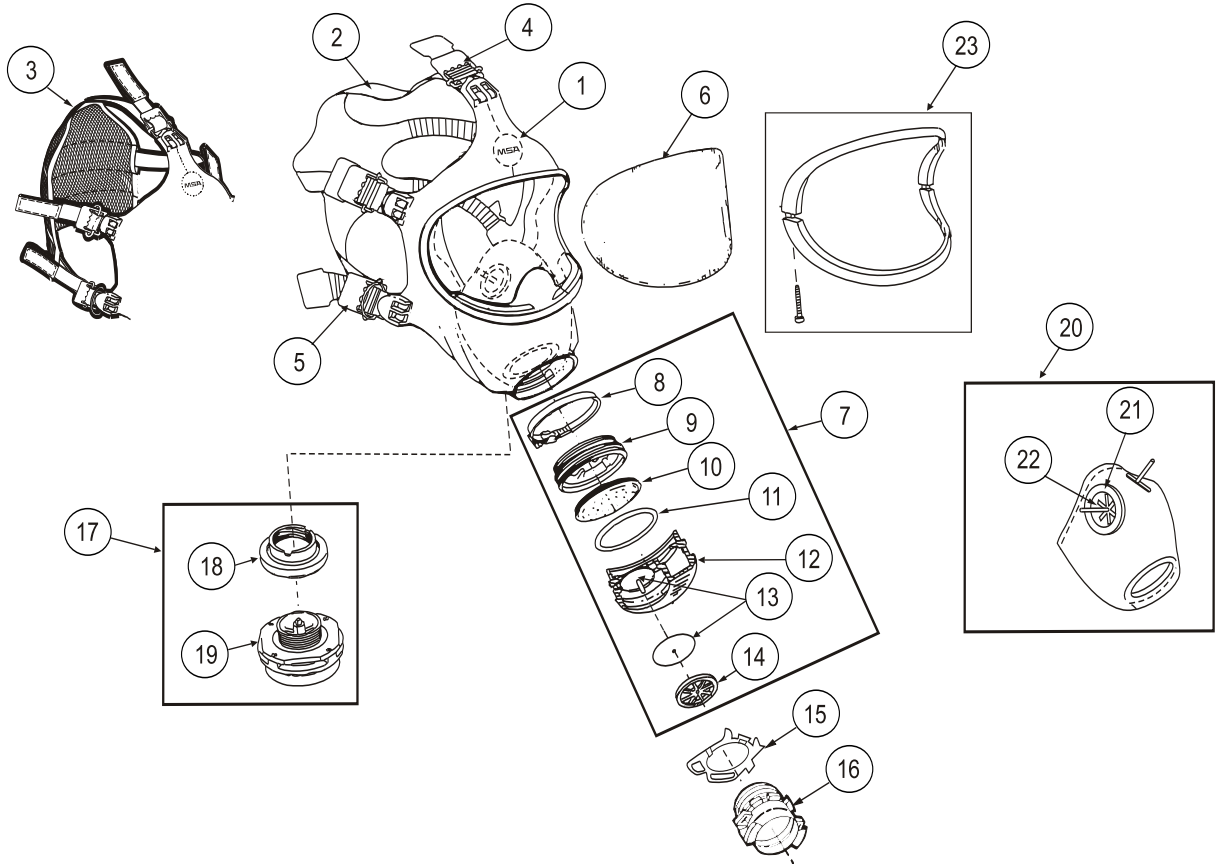
pressure demand facepiece
NFPA -1981-1997 Edition Compliant



Ultra Elite Facepiece Components			Ultra Elite Facepiece Components		
Item	Part No.	Description	Item	Part No.	Description
1	805576	Small, Faceblanks, Hycar	15	804814	Valve Spider
	805574	Medium, Faceblanks, Hycar	16	804811	Component Housing Ring, Clamp
	805578	Large, Faceblanks, Hycar	17	804812	Screw
2	805020	Lens Super Hardcoat	18	813556	1/4 Turn Adapter Assembly
3	805594	Upper Lens Ring	19	809464	Component Housing Cover
4	805595	Lower Lens Ring	20	804829	Neck Strap
5	804806	Screw (4 Req'd)	21	637865	Spacer
6	817089	Speed-ON Harness Assembly (with 3 Buckles)	22	813543	Retaining Ring
	817088	Speed-ON Harness Assembly (less Buckles)	23	810412	Medium, Gray, Nosecup
7	804828	Buckles (3 Req'd)		810413	Large, Gray, Nosecup
8	804807	Buckle Assembly with D-Ring (2 Req'd)		495188	Medium, Black, Nosecup
9	817262	Rubber Harness Black (less Buckles)		495189	Large, Black, Nosecup
10	815604	Component Housing Assembly (Complete)	24	804822	Valve Seat (2 Req'd)
11	804808	Speaking Diaphragm Retainer	25	804823	Valve Disc (2 Req'd)
12	804809	Speaking Diaphragm	Accessory		
13	815605	Component Housing with Exhalation Valve	26	804638	Spectacle Kit (Not Shown)
14	804813	Inlet Disc, Valve			

MMR Ultravue®

pressure demand facepiece NFPA -1981-1997 Edition Compliant

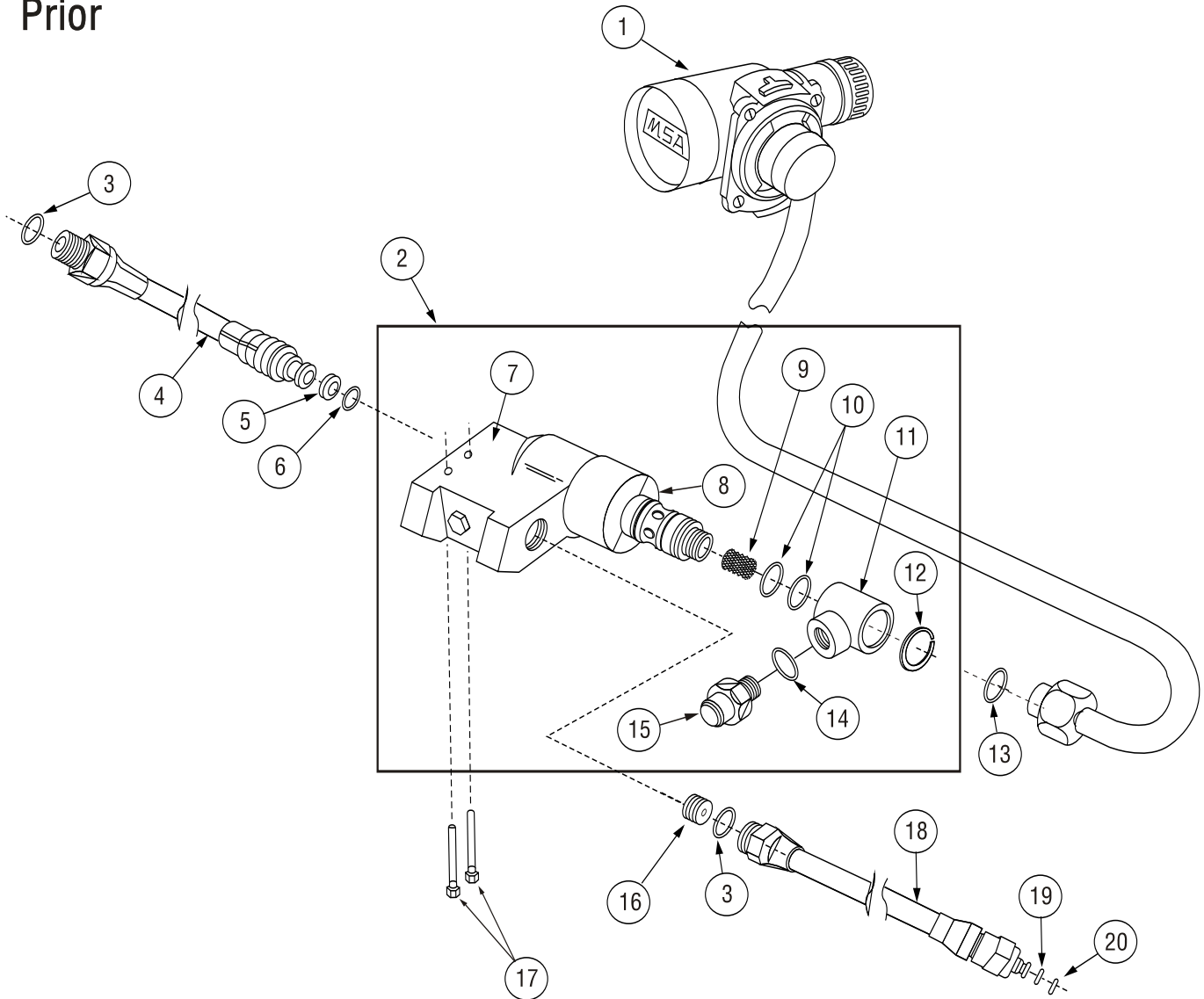


Ultravue Facepiece Components			Ultravue Facepiece Components		
Item No.	Part No.	Description	Item No.	Part No.	Description
1	800509	Small , Faceblank Hycar	15	813154	Retaining Ring
	800507	Medium, Faceblank Hycar	16	812839	1/4 Turn Adapter Assembly
	800511	Large, Faceblank Hycar	17	461864	Exhalation Valve Assembly (complete)
2	817263	Harness	18	461610	Retaining Nut
3	817088	SpeeD-ON Headharness Only	19	484678	Exhalation Valve
4	96662	Buckle Assembly (3 Req'd.)	20	471710	Small, Nosecup Assembly
5	457190	Buckle Assembly with D-Ring (2 Req'd.)		471711	Medium, Nosecup Assembly
6	801127	Lens, Polycarbonate (with Super Hardcoat)		471712	Large, Nosecup Assembly
7	814074	Inlet and Speaking Diaphragm Assembly	21	804822	Nosecup Valve Seat (2 Req'd.)
9	628210	Clamp	22	804823	Valve Disc (2 Req'd.)
9	96666	Retainer Ring	Kits		
10	488875	Speaking Diaphragm (flat side toward retainer ring)	23	471249	Small, Lens Ring (Gray), Kit
11	629935	O-Ring		464358	Medium, Lens Ring (Black), Kit
12	473698	Speaking Diaphragm Housing		471250	Large, Lens Ring (Gold), Kit
13	813103	Inlet Valve	Accessory		
14	491934	Inlet, Valve Body	24	454819	Spectacle Kit (Not Shown)

MMR Regulator Assembly

NFPA -1981-1997 Edition Compliant

Prior

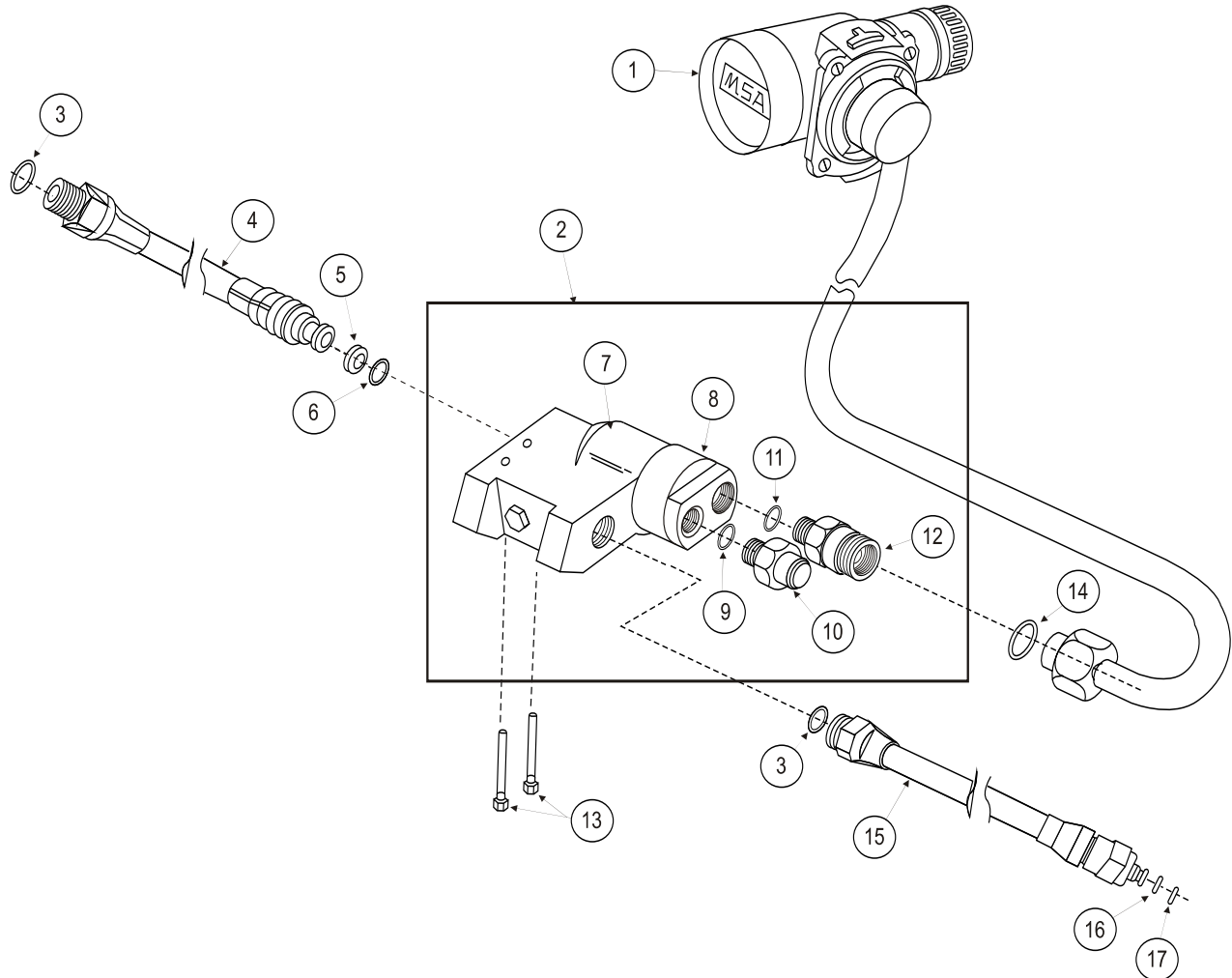


Regulator Components			Regulator Components		
Item No.	Part No.	Description	Item No.	Part No.	Description
1	812857	Mask Mounted Regulator Assembly (Quick-Connect, 1/4 turn)	12	635035	Retaining ring
2	488885	First Stage Regulator Assembly	13	63198	■ O-Ring
3	638166	■ O-ring (2 Req'd)	14	635037	■ O-Ring
4	804384	High Pressure Hose	15	481999	Relief Valve
5	635278	Backup Ring	16	495762	Orifice Screw
6	63198	■ O-Ring	17	495929	Pin (2 Req'd)
7	488750	Regulator Body	18	10004650	Hose Assembly
8	—	Cap	19	635277	Backup Ring
9	495928	Screen	20	638167	■ O-Ring
10	635036	■ O-ring (2 Req'd)	Lubricant		
11	488819	Relief Valve Swivel	■ 604070 Lubricant		

MMR Regulator Assembly

NFPA -1981-1997 Edition Compliant

Current

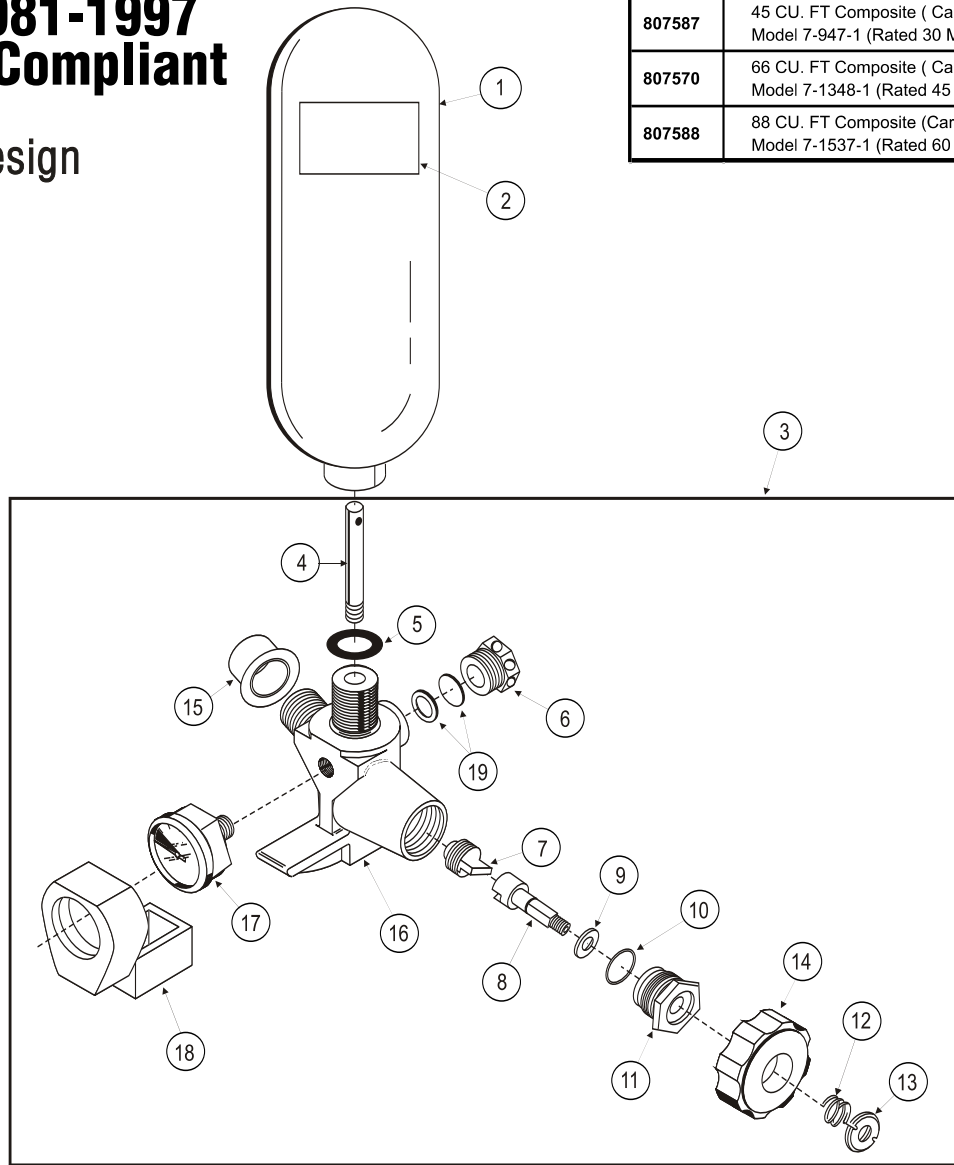


Regulator Components			Regulator Components		
Item No.	Part No.	Description	Item No.	Part No.	Description
1	812857	Mask Mounted Regulator Assembly (Quick-Connect, 1/4 turn)	10	481999	Relief Valve
2	488885	First Stage Regulator Assembly	11	633776	■ O-Ring
3	638166	O-Ring (2 Req'd)	12	805052	Low Pressure Hose Adapter
4	804384	High Pressure Hose	13	495929	Pin (2 Req'd)
5	635278	Backup Ring	14	63198	■ O-Ring
6	63198	■ O-Ring	15	10004650	Hose Assembly
7	488750	Regulator Body	16	635277	Backup Ring
8	805051	Regulator Cap	17	638167	■ O-Ring
9	635037	■ O-Ring	Lubricant		
			■ 604070 Lubricant		

Cylinder and Valve

**NFPA-1981-1997
Edition Compliant**

Current Design

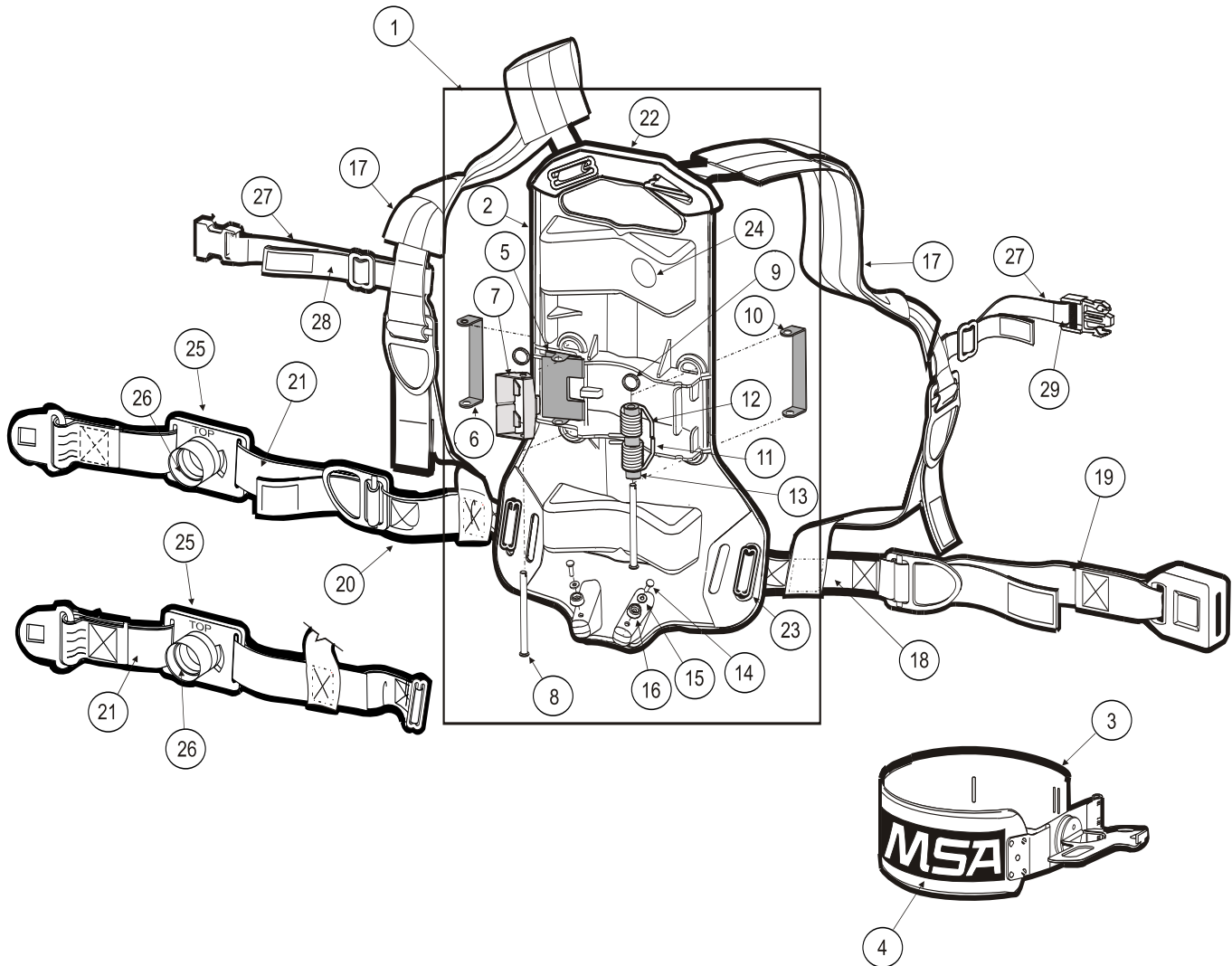


Cylinder and Valve Assemblies	
Part No.	Description
801285	88 CU. FT Composite (Fiberglass) Model 7-944-1 (Rated 60 Minutes)
801287	45 CU. FT Composite (Fiberglass) Model 7-947-1 (Rated 30 Minutes)
807587	45 CU. FT Composite (Carbon) Model 7-947-1 (Rated 30 Minutes)
807570	66 CU. FT Composite (Carbon) Model 7-1348-1 (Rated 45 Minutes)
807588	88 CU. FT Composite (Carbon/Fiberglass) Model 7-1537-1 (Rated 60 Minutes)

Cylinder and Valves Components			Cylinder and Valves Components		
Item No.	Part No.	Description	Item No.	Part No.	Description
1	474162	88 CU. FT. Cylinder (Fiberglass)	12	83831	Spring
	807581	88 CU. FT. Cylinder (Fiberglass/Carbon)	13	83731	Lock Nut
	474161	45 CU. FT. Cylinder (Fiberglass)	14	91728	Hand Wheel
	807583	45 CU. FT. Cylinder (Carbon)	15	94906	Protector Cap
	807580	66 CU. FT. Cylinder (Carbon)	16	488771	Valve Body
2	804922	Warning Label	17	473250	Air Pressure Gauge
3	488899	Cylinder Valve Assembly	18	801131	Gauge Guard
4	80416	★Cylinder Valve Inlet Tube	Kits		
5	630926	■ O-Ring	19	482226	Blow Out Disc Kit
6	473254	Safety Plug			Disc
7	488858	Valve Insert Assembly			Gasket
8	488859	Valve Stem	Lubricant and Sealants		
9	488860	Valve Stem Washer	●	29787	Sealant (Loctite 222)
10	628976	■ O-Ring	★	600469	Sealant (Loctite 290)
11	488862	Packing Gland	■	604070	Lubricant

Carrier and Harness Assemblies	
Part No.	Description
10005711	Custom 4500 Single Pull, High Pressure
10005789	Custom 4500 Dual Purpose, High Pressure

NFPA -1981-1997 Edition Compliant

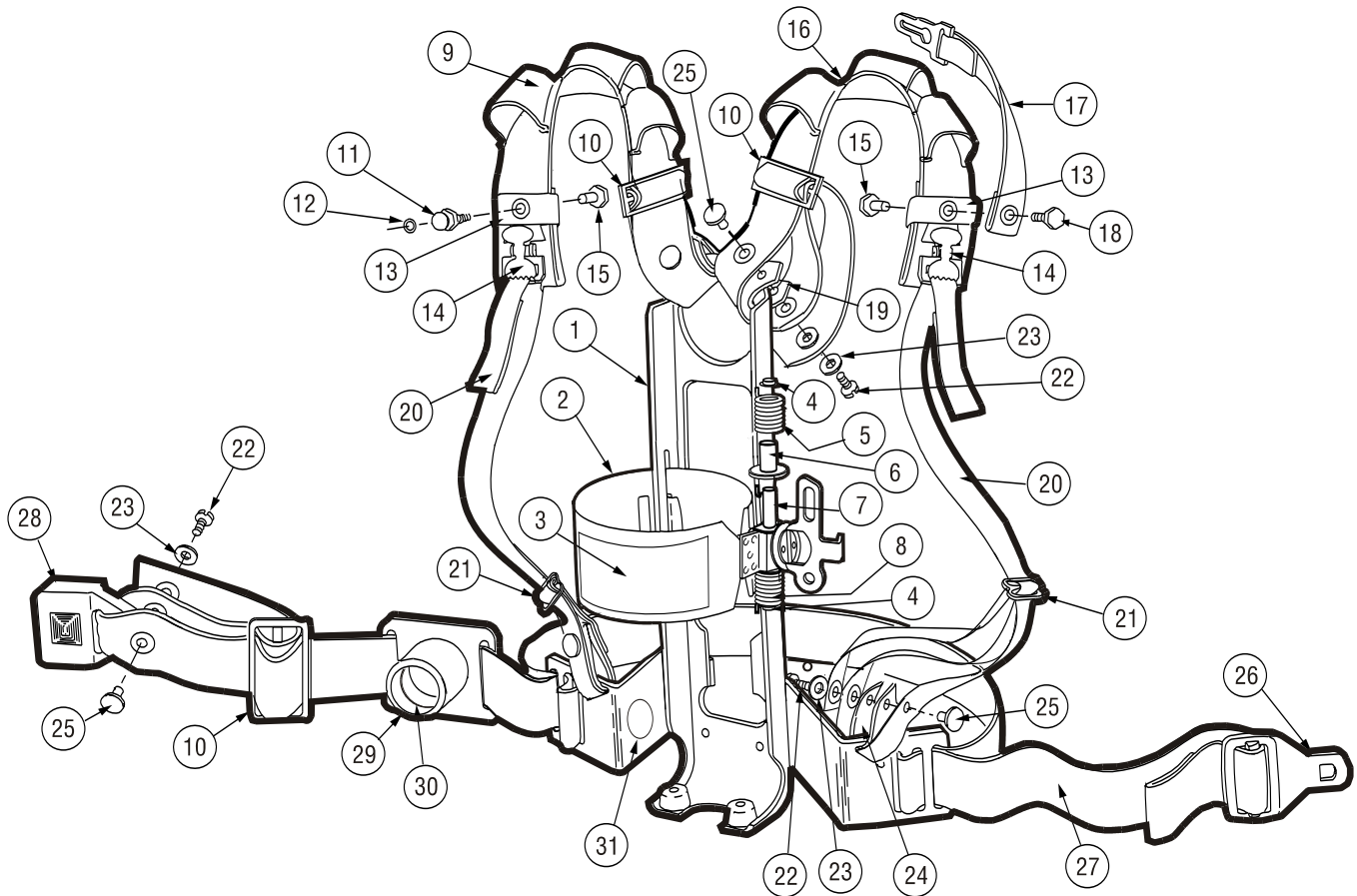


Carrier and Harness Components			Carrier and Harness Components		
Item No.	Part No.	Description	Item No.	Part No.	Description
1	10006693	Carrier Assembly	19	10021933	Right Pull Belt
2	10005787	Molded Vulcan Carrier		818374	Right Double Pull Belt
3	10006692	Cylinder Band/Latch Assembly	20	818378	Left Strap, Dual Purpose
4	805265	Cylinder Band Label, Custom 4500		10006022	Left Single Pull Belt With Regulator Belt Mount
5	10005784	Band Adjustment Spring Bracket	21	818375	Left Belt Strap, Dual Purpose with Regulator Belt Mount
6	10005786	Bracket Back Plate	22	10030616	Top, Carrier Hose Protection Grommet
7	10005783	Cylinder Band Adjustment Bracket	23	10030617	Bottom, Carrier Grommet (2 Req'd)
8	10005950	Pin (2 Req'd)			Identification Label
9	10005952	Retaining Ring (2 Req'd)		10009641	Custom 4500, Single Pull
10	10005785	Cylinder Band Latch Bracket		10009647	Custom 4500, Dual Purpose
11	10012748	Latch Spring, Right Hand	25	812837	Regulator Belt Mount 1/4 Turn QD
12	10012749	Latch Spring, Left Hand	26	10018222	O-Ring
13	10005782	Spring Bushing	Optional		
14	627503	Rivet (2 Req'd)	27	10012167	Chest Strap Kit
15	10014635	Washers (2 Req'd)	28	818380	Left Chest Strap
16	10014666	Bumper (2 Req'd)	29	818379	Right Chest Strap
17	818381	Shoulder Straps (2 Req'd)			

Wolverine™

Carrier and Harness Assemblies	
Item No.	Description
811186	Custom 4500
814119	Custom 4500, Dual Purpose

NFPA -1981-1997 Edition Compliant

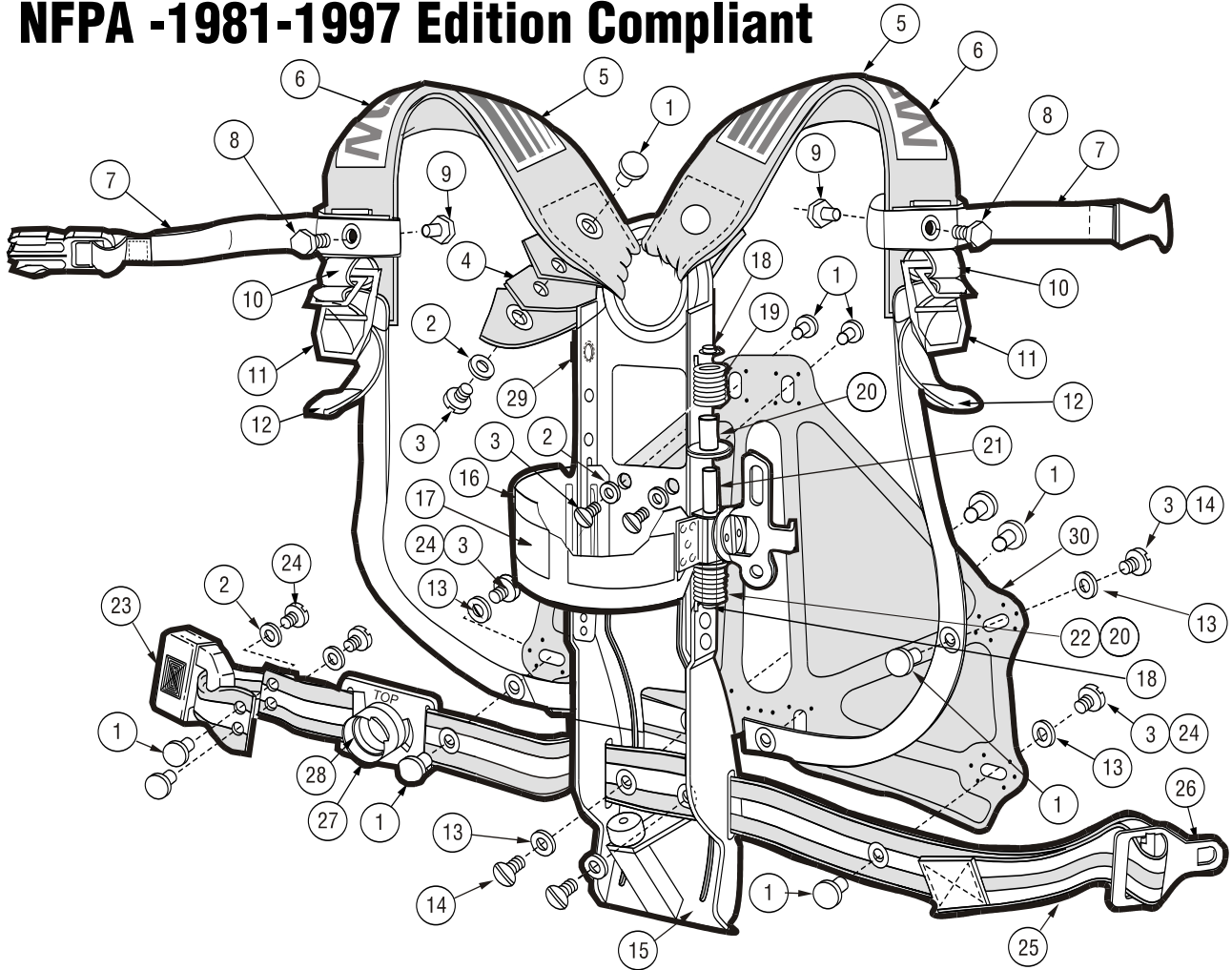


Wolverine Components			Wolverine Components		
Item No.	Part No.	Description	Item No.	Part No.	Description
1	804483	Carrier Assembly	19	473261	Shoulder Strap Wear Pad (2 Req'd)
2	817153	Band and Latch Assembly	20	807816	Pull Strap (2 Req'd)
3	805265	Cylinder Band Label, Custom 4500	21	638131	1 inch Slide, Pull Strap (2 Req'd)
4	638537	Push Nut Cap (2 Req'd)	22	65595	●Screw #10-32 X 1/2 long (5 Req'd)
5	817151	Right Spring	23	59599	Washer #10 (5 Req'd)
6	818267	Spring Bushing (2 Req'd)	24	93157	Pull Strap Wear Pad
7	817150	Spring Pin	25	66833	●Capped Tee Nut # 10-32 (5 Req'd)
8	817156	Left Spring	26	816624	Tongue Buckle Assembly
9	807818	Left Shoulder Strap	27	816021	Waist Belt
10	638132	2 inch Slide, Shoulder Strap (2 Req'd)	28	638482	Seat Belt Buckle
11	481142	●Latch Holder	29	812837	Regulator Bracket (Current)
12	66040	O-Ring		803713	Regulator Bracket (Prior)
13	807815	Chest Strap (2 Req'd)	30	10018222	O-Ring
14	481753	Web Strap Buckle Assembly (2 Req'd)	31	Identification Label	
15	809954	Chest Strap Nut (2 Req'd)		10022069	Custom 4500
16	807818	Right Shoulder Strap		10022072	Custom 4500, Dual Purpose
17	807814	Chest Strap, right side	Sealant		
18	809955	●Chest Nut Screw	● 29787 Sealant Use (Loctite 222)		

Black Rhino™

Carrier and Harness Assemblies	
Item No.	Description
816486	Custom 4500, 1/4 Turn Quick Disconnect
10009761	Custom 4500, 1/4 Turn Quick Disconnect with Lumbar Pad

NFPA -1981-1997 Edition Compliant

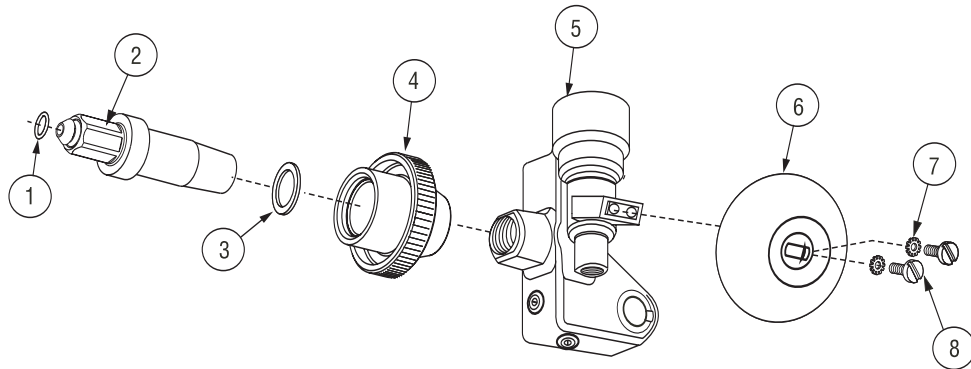


Black Rhino Components			Black Rhino Components		
Item No.	Part No.	Description	Item No.	Part No.	Description
1	66833	Capped Tee Nut, # 10-32 (12 Req'd)	15	487562	Carrier Assembly
		Capped Tee Nut # 10-32 (*14 Req'd)	16	817153	Band and Latch Assembly
2	59599	Washer, 10 (6 Req'd)	17	805265	Cylinder Band Label, Custom 4500
		● Screw, # 10-32 X 1/2 long (6 Req'd)	18	638537	Push Nut Cap (2 Req'd)
3	65595	● Screw, # 10-32 X 1/2 long (*8 Req'd)	19	817151	Right Spring
		● Screw, # 10-32 X 1/2 long (*8 Req'd)	20	818267	Spring Bushing (2 Req'd)
4	473261	Wear Pad (2 Req'd)	21	817150	Spring Pin
5	816619	Shoulder Pad Assembly, Left	22	817152	Left Spring
	10005060	Shoulder Pad Assembly, Right	23	816618	Buckle Assembly
6	816617	Shoulder Pad, Right/Left		24	66309
	816630	Chest Strap Assembly, Left	● Screw # 10-32 X 3/8 (4 Req'd)		
7	816629	Chest Strap Assembly, Right	25	816631	Waist Strap Assembly
	816623	● Screw, Chest Strap (2 Req'd)	26	816624	Tongue Buckle
8	489188	● Nut, Chest Strap (2 Req'd)	27	812837	Belt Mount, Quick Disconnect
10	816627	Friction Buckle Strap Assembly Right/Left (2 Req'd)	28	10018222	O-Ring
		Friction Buckle Assembly, Right/Left (2 Req'd)	29	Identification Label	
11	816670	Adjusting Strap (2 Req'd)		10022080	Custom 4500, 1/4 Turn Quick Disconnect
12	816614	Washer, (6 Req'd)	30	806292	Back Pad
		Washer, (*8 Req'd)	Optional		
13	58866	Screw, #10-32 X 3/4 (2 Req'd)	31	817104	Lumbar Pad (Not Shown)
		Screw, #10-32 X 3/4 (*4 Req'd)	32	638517	* Crossbar Bracket (Not Shown)
14	66315	Screw # 10-32 X 1" (*2 Req'd)	Sealant		
	66317	● 29787 Sealant Use (Loctite 222)	* Carriers with Lumbar Pads		

Audi-Larm™

Audi-Larm Assembly	
Part No.	Description
10012996	4500 psig

NFPA -1981-1997 Edition Compliant

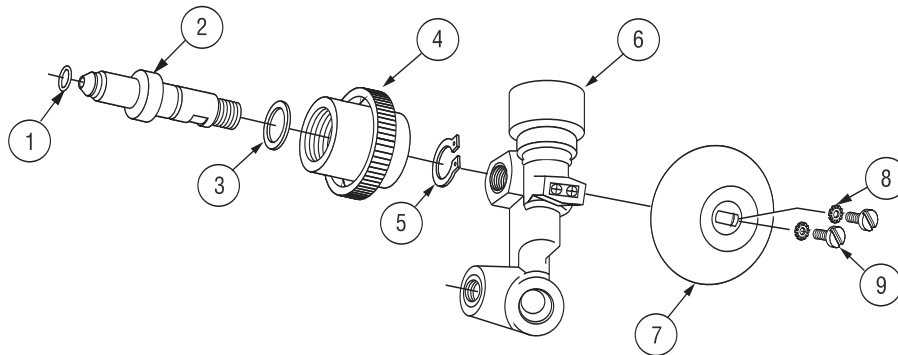


Audi-Larm Components			Audi-Larm Components		
Item No.	Part No.	Description	Item No.	Part No.	Description
1	633553	■ O-Ring	7	54197	Lock Washer (2 Req'd.)
2	10062087	Nipple	8	635245	● Screw #8-32 x 7/16 (2 Req'd.)
3	93031	Teflon Washer	Lubricant and Sealants		
4	10062085	Hand Wheel	● 29787 Sealant Use (Loctite 222)		
5	10012997	Housing	■ 604070 Lubricant		
6	485829	Bell			

Audi-Larm™

Audi-Larm Assembly	
Part No.	Description
485851	4500 psig

NFPA -1981-1997 Edition Compliant



Audi-Larm Components			Audi-Larm Components		
Item No.	Part No.	Description	Item No.	Part No.	Description
1	633553	■ O-Ring	7	485829	Bell
2	470875	Insert	8	54197	Lock Washer (2 Req'd.)
3	93031	Teflon Washer	9	635245	● Screw #8-32 x 7/16 (2 Req'd.)
4	470874	Coupling Nut	Lubricant and Sealant		
5	630192	Retaining Ring	● 29787 Sealant Use (Loctite 222)		
6	485837	Housing	■ 604070 Lubricant		

Hard Case Assembly

part number 494250

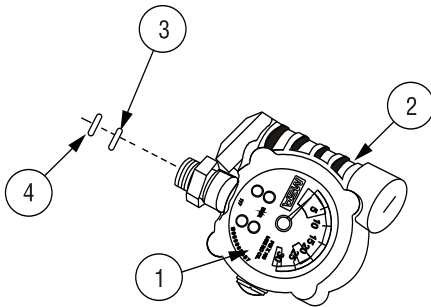
Soft Case Assembly

part number 817092

Redundant Alarm

Alarm Kit Assembly	
Part No.	Description
10009771	Pressure/Guage Warning Alarm (4500 psig)

NFPA -1981-1997 Edition Compliant



Alarm Kit Components		
Item No.	Part No.	Description
1	100036208	Pressure/Guage Warning Alarm (4500 psig)
2	10009970	Guard
3	638167	■ O-Ring
4	635277	Backup Ring
5	10010072	Battery (Not Shown)
6	10016029	Tether (Not Shown)
Lubricant		
■ 604070 Lubricant		



For More Information: Call (1-800-MSA-2222) or Visit Our Website at (www.MSAnet.com)



Be Sure.
Choose MSA.

MINE SAFETY APPLIANCES COMPANY
PITTSBURGH, PENNSYLVANIA, U.S.A. 15230