

MMR Low Pressure

PARTS LIST

Air Mask Pressure Demand Type

NFPA 1981-1997 Edition Compliant



For More Information: Call (1-800-MSA-2222) or Visit Our Website at (www.MSAnet.com)

MSA

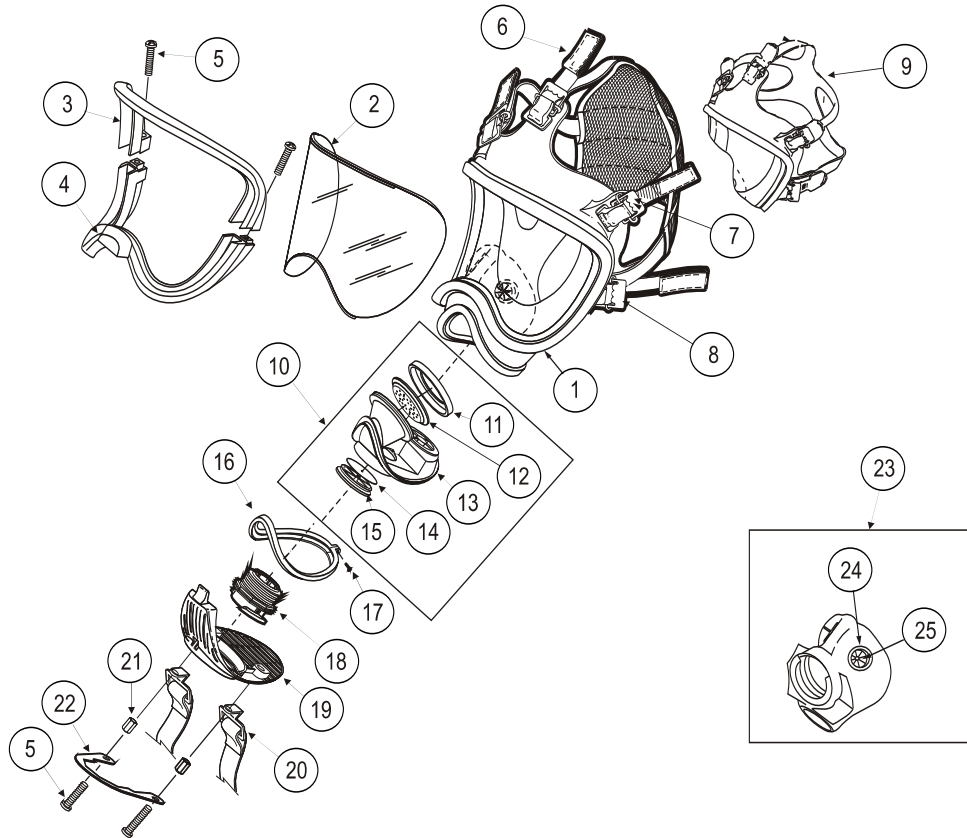
Be Sure.
Choose MSA.

MINE SAFETY APPLIANCES COMPANY
PITTSBURGH, PENNSYLVANIA, U.S.A. 15230

MMR Ultra Elite[®]

pressure demand facepiece

NFPA -1981-1997 Edition Compliant

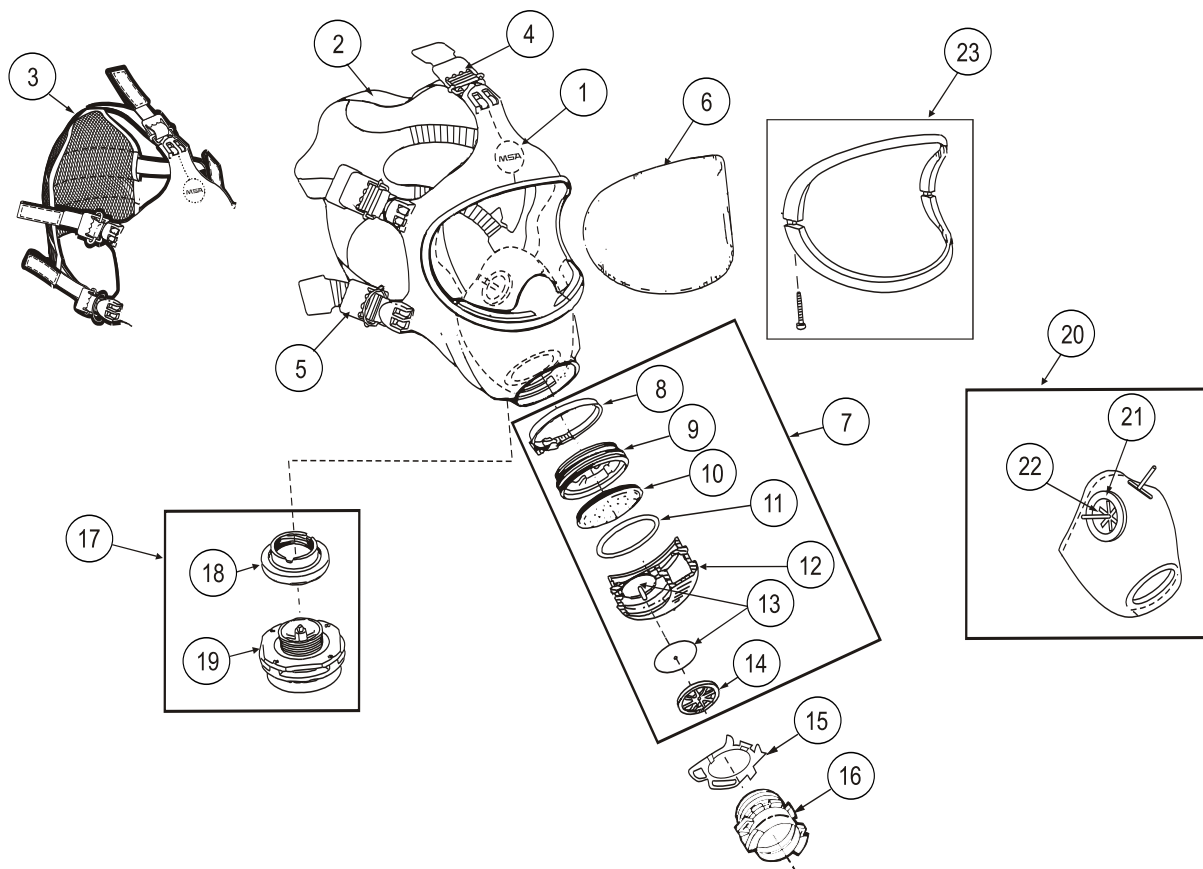


| Ultra Elite Facepiece Components | | | Ultra Elite Facepiece Components | | |
|----------------------------------|----------|--|----------------------------------|----------|-------------------------------|
| Item | Part No. | Description | Item | Part No. | Description |
| 1 | 805576 | Small, Faceblanks, Hycar | 15 | 804814 | Valve Spider |
| | 805574 | Medium, Faceblanks, Hycar | 16 | 804811 | Component Housing Ring, Clamp |
| | 805578 | Large, Faceblanks, Hycar | 17 | 804812 | Screw |
| 2 | 805020 | Lens Super Hardcoat | 18 | 813556 | 1/4 Turn Adapter Assembly |
| 3 | 805594 | Upper Lens Ring | 19 | 809464 | Component Housing Cover |
| 4 | 805595 | Lower Lens Ring | 20 | 804829 | Neck Strap |
| 5 | 804806 | Screw (4 Req'd) | 21 | 637865 | Spacer |
| 6 | 817089 | Speed-ON Harness Assembly (with 3 Buckles) | 22 | 813543 | Retaining Ring |
| | 817088 | Speed-ON Harness Assembly (less Buckles) | 23 | 810412 | Medium, Gray, Nosecup |
| 7 | 804828 | Buckles (3 Req'd) | | 810413 | Large, Gray, Nosecup |
| 8 | 804807 | Buckle Assembly with D-Ring (2 Req'd) | | 495188 | Medium, Black, Nosecup |
| 9 | 817262 | Rubber Harness Black (less Buckles) | | 495189 | Large, Black, Nosecup |
| 10 | 815604 | Component Housing Assembly (Complete) | 24 | 804822 | Valve Seat (2 Req'd) |
| 11 | 804808 | Speaking Diaphragm Retainer | 25 | 804823 | Valve Disc (2 Req'd) |
| 12 | 804809 | Speaking Diaphragm | Accessory | | |
| 13 | 815605 | Component Housing with Exhalation Valve | 26 | 804638 | Spectacle Kit (Not Shown) |
| 14 | 804813 | Inlet Disc, Valve | | | |

MMR Ultravue®

pressure demand facepiece

NFPA -1981-1997 Edition Compliant

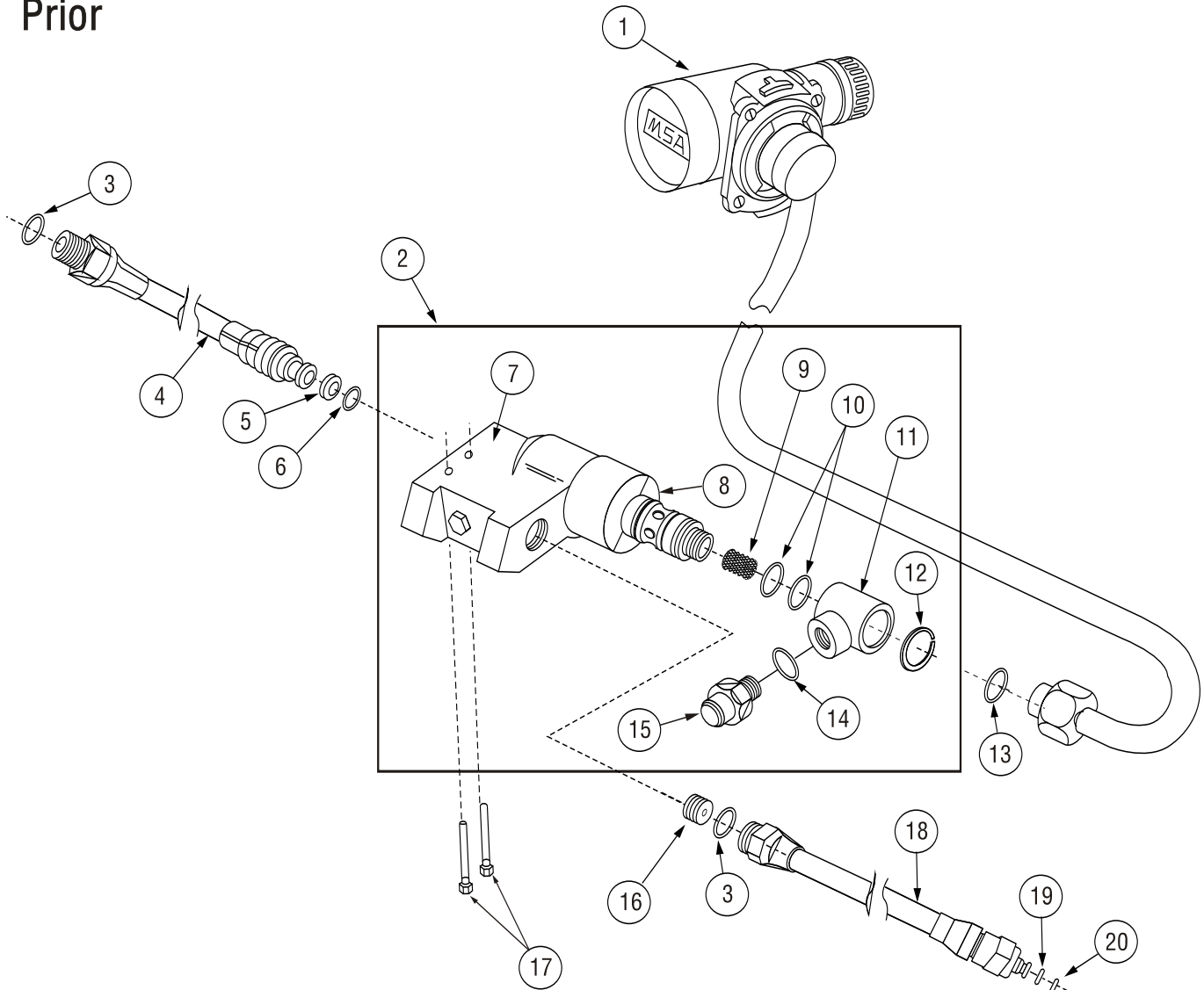


| Ultravue Facepiece Components | | | Ultravue Facepiece Components | | |
|-------------------------------|----------|---|-------------------------------|----------|--------------------------------------|
| Item No. | Part No. | Description | Item No. | Part No. | Description |
| 1 | 800509 | Small , Faceblank Hycar | 15 | 813154 | Retaining Ring |
| | 800507 | Medium, Faceblank Hycar | 16 | 812839 | 1/4 Turn Adapter Assembly |
| | 800511 | Large, Faceblank Hycar | 17 | 461864 | Exhalation Valve Assembly (complete) |
| 2 | 817263 | Harness | 18 | 461610 | Retaining Nut |
| 3 | 817088 | Speed-ON Headharness Only | 19 | 484678 | Exhalation Valve |
| 4 | 96662 | Buckle Assembly (3 Req'd.) | 20 | 471710 | Small, Nosecup Assembly |
| 5 | 457190 | Buckle Assembly with D-Ring (2 Req'd.) | | 471711 | Medium, Nosecup Assembly |
| 6 | 801127 | Lens, Polycarbonate (with Super Hardcoat) | | 471712 | Large, Nosecup Assembly |
| 7 | 814074 | Inlet and Speaking Diaphragm Assembly | 21 | 804822 | Nosecup Valve Seat (2 Req'd.) |
| 9 | 628210 | Clamp | 22 | 804823 | Valve Disc (2 Req'd.) |
| 9 | 96666 | Retainer Ring | Kits | | |
| 10 | 488875 | Speaking Diaphragm (flat side toward retainer ring) | 23 | 471249 | Small, Lens Ring (Gray), Kit |
| 11 | 629935 | O-Ring | | 464358 | Medium, Lens Ring (Black), Kit |
| 12 | 473698 | Speaking Diaphragm Housing | | 471250 | Large, Lens Ring (Gold), Kit |
| 13 | 813103 | Inlet Valve | Accessory | | |
| 14 | 491934 | Inlet, Valve Body | 24 | 454819 | Spectacle Kit (Not Shown) |

MMR Regulator Assembly

NFPA -1981-1997 Edition Compliant

Prior

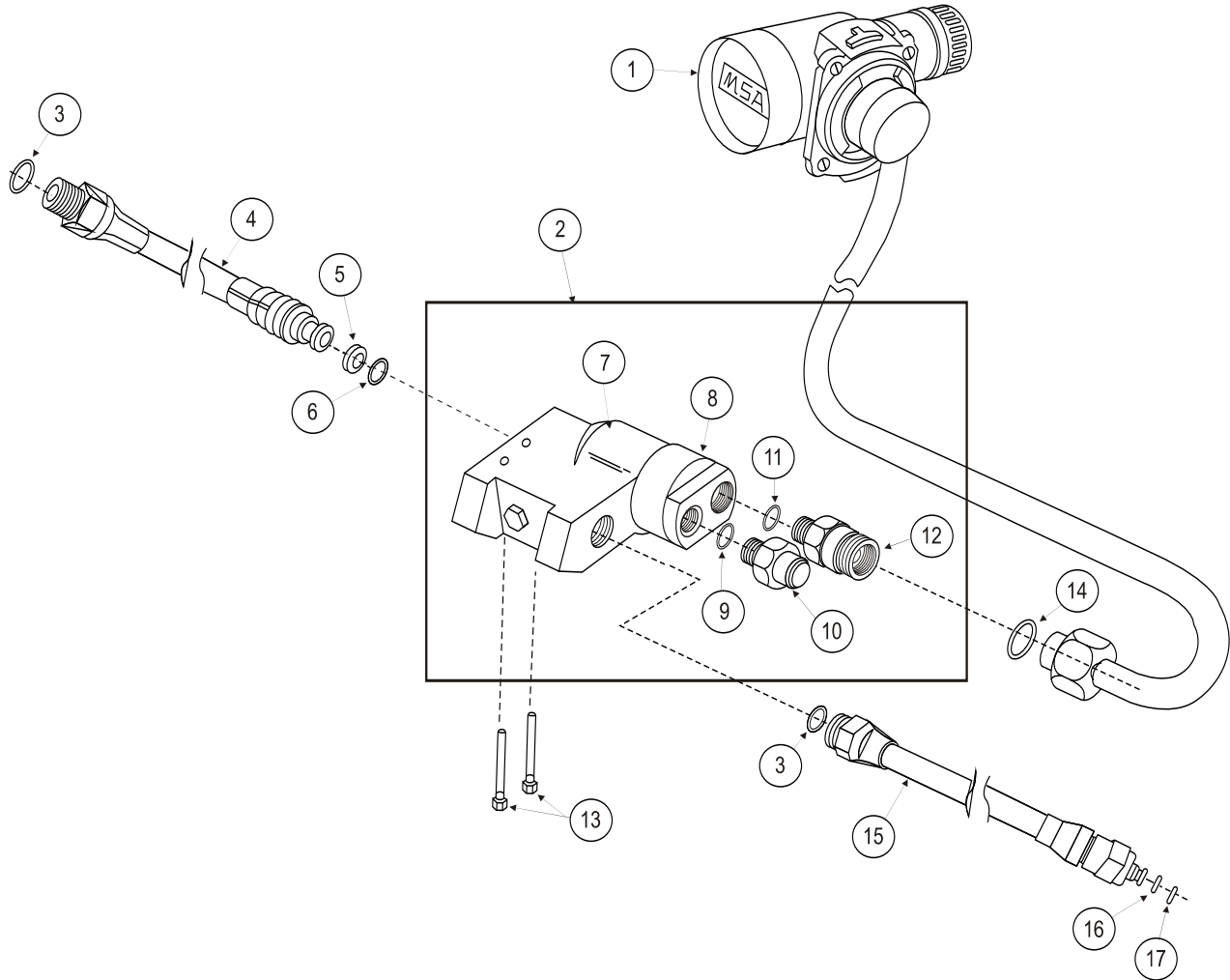


| Regulator Components | | | Regulator Components | | |
|----------------------|----------|---|----------------------|----------|----------------|
| Item No. | Part No. | Description | Item No. | Part No. | Description |
| 1 | 812857 | Mask Mounted Regulator Assembly (Quick-Connect, 1/4 turn) | 12 | 635035 | Retaining ring |
| 2 | 488885 | First Stage Regulator Assembly | 13 | 63198 | ■ O-Ring |
| 3 | 638166 | ■ O-ring (2 Req'd) | 14 | 635037 | ■ O-Ring |
| 4 | 804384 | High Pressure Hose | 15 | 481999 | Relief Valve |
| 5 | 635278 | Backup Ring | 16 | 495762 | Orifice Screw |
| 6 | 63198 | ■ O-Ring | 17 | 495929 | Pin (2 Req'd) |
| 7 | 488750 | Regulator Body | 18 | 10004650 | Hose Assembly |
| 8 | ————— | Cap | 19 | 635277 | Backup Ring |
| 9 | 495928 | Screen | 20 | 638167 | ■ O-Ring |
| 10 | 635036 | ■ O-ring (2 Req'd) | Lubricant | | |
| 11 | 488819 | Relief Valve Swivel | ■ 604070 Lubricant | | |

MMR Regulator Assembly

NFPA -1981-1997 Edition Compliant

Current



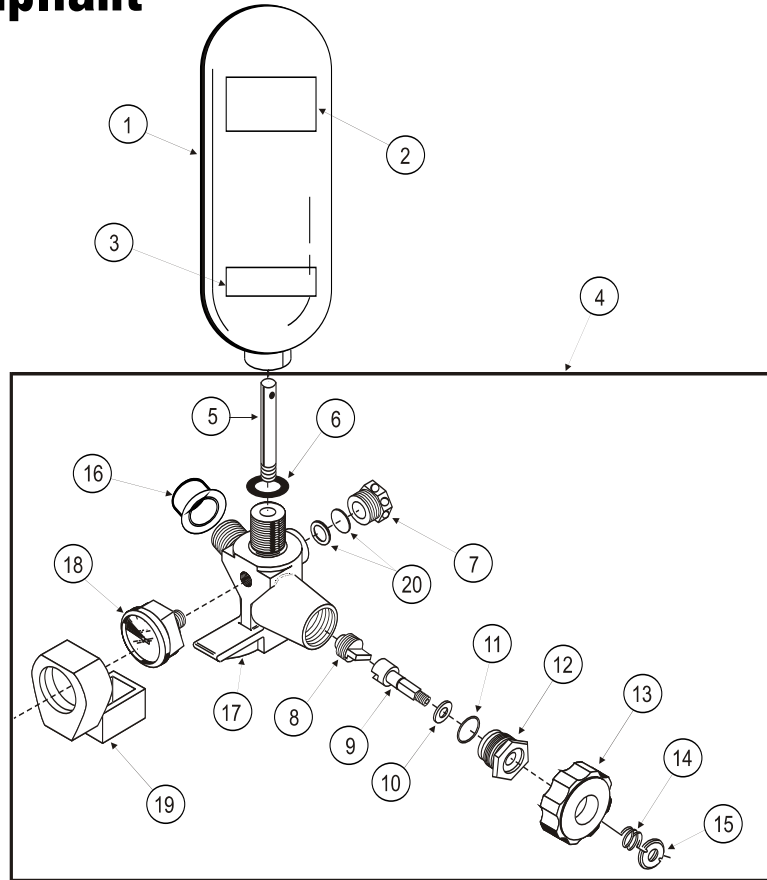
| Regulator Components | | | Regulator Components | | |
|----------------------|----------|---|----------------------|----------|---------------------------|
| Item No. | Part No. | Description | Item No. | Part No. | Description |
| 1 | 812857 | Mask Mounted Regulator Assembly (Quick-Connect, 1/4 turn) | 10 | 481999 | Relief Valve |
| 2 | 488885 | First Stage Regulator Assembly | 11 | 633776 | ■ O-Ring |
| 3 | 638166 | O-Ring (2 Req'd) | 12 | 805052 | Low Pressure Hose Adapter |
| 4 | 804384 | High Pressure Hose | 13 | 495929 | Pin (2 Req'd) |
| 5 | 635278 | Backup Ring | 14 | 63198 | ■ O-Ring |
| 6 | 63198 | ■ O-Ring | 15 | 10004650 | Hose Assembly |
| 7 | 488750 | Regulator Body | 16 | 635277 | Backup Ring |
| 8 | 805051 | Regulator Cap | 17 | 638167 | ■ O-Ring |
| 9 | 635037 | ■ O-Ring | Lubricant | | |
| | | | ■ 604070 Lubricant | | |

Cylinder and Valve

**NFPA-1981-1997
Edition Compliant**

Current Design

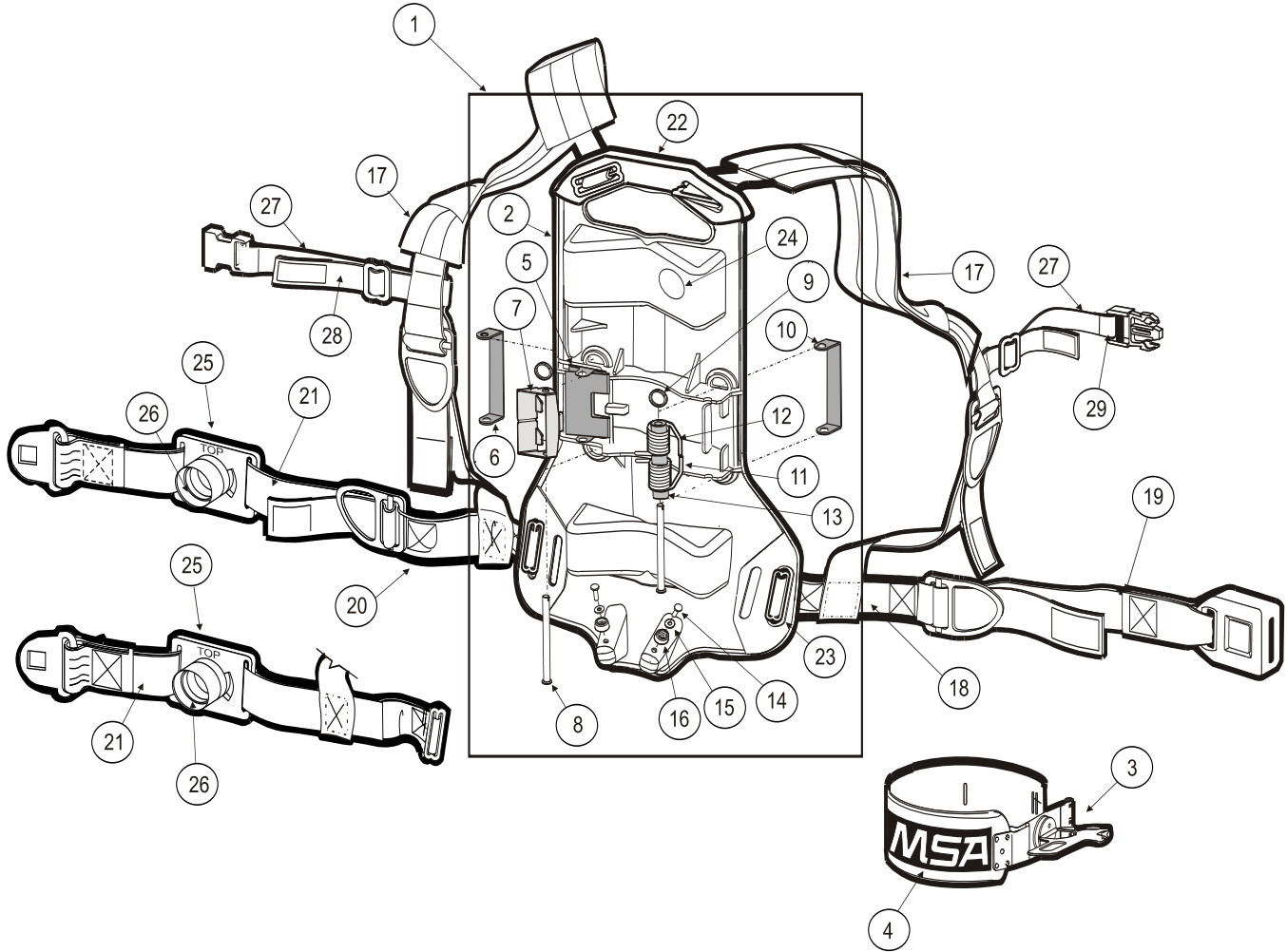
| Cylinder and Valve Assemblies | |
|-------------------------------|--|
| Part No. | Description |
| 801279 | 45 CU. FT. Composite II (2216 psig) (Rated 30 Minutes) |
| 801289 | 60 CU. FT. Composite III (Kevlar) (3000 psig) (Rated 30 Minutes) |
| 809872 | 45 CU. FT. Aluminum (2216 psig) (Rated 30 Minutes) |
| 469619 | 45.5 CU. FT. Hoop Wound Aluminum (2216 psig) (Rated 30 Minutes) |
| 807586 | 66 CU. FT. Composite Carbon (2216 psig) (Rated 30 Minutes) |
| 816115 | 60 CU. FT. Composite III Carbon (3000 psig) (Rated 30 Minutes) |



| Cylinder and Valves Components | | | Cylinder and Valves Components | | |
|--------------------------------|----------|---|--------------------------------|----------|-------------------------------|
| Item No. | Part No. | Description | Item No. | Part No. | Description |
| 1 | 473530 | Cylinder 45 CU. FT. (2216 psig) Composite II (Fiberglass) | 10 | 488860 | Valve Stem Washer |
| | 494487 | Cylinder 60 CU. FT. (3000 psig) Composite III (Kevlar) | 11 | 628976 | O-Ring |
| | 809871 | Cylinder 45 CU. FT. (2216 psig) (Aluminum) | 12 | 488862 | Packing Gland |
| | 469618 | Cylinder 45.5 CU. FT. (2216 psig) Hoop Wound (Aluminum) | 13 | 91728 | Hand Wheel |
| | 807585 | Cylinder 66 CU. FT. (2216 psig) Composite (Carbon) | 14 | 83831 | Spring |
| | 814632 | Cylinder 60 CU. FT. (3000 psig) Composite III (Carbon) | 15 | 83731 | Lock Nut |
| 2 | 804922 | Warning Label | 16 | 94906 | Protector Cap |
| 3 | 492845 | Caution/Warning Label (3000 psig) | 17 | 488772 | Valve Body (2216 psig) |
| 4 | 488894 | Valve Assembly (2216 psig) | | 495743 | Valve Body (3000 psig) |
| | 494884 | Valve Assembly (3000 psig) | 18 | 95278 | Air Pressure Gauge |
| 5 | 80416 | ★Cylinder Valve Inlet Tube | 19 | 801131 | Gauge Guard |
| 6 | 68542 | O-Ring (2216 psig) | Kits | | |
| | 633550 | O-Ring (3000 psig) | 20 | 482225 | Blow Out Disc Kit (2216 psig) |
| 7 | 68550 | Safety Plug (2216 psig) | | 68548 | Disc |
| | 495636 | Safety Plug (3000 psig) | | 68547 | Gasket |
| 8 | 488858 | Valve Insert Assembly | | 494928 | Blow Out Disc Kit (3000 psig) |
| | 488859 | Valve Stem | | 635915 | Disc |
| | | | Lubricant and Sealants | | |
| | | | ★ | 29787 | Sealant (Loctite 222) |
| | | | ★ | 600469 | Sealant (Loctite 290) |
| | | | ■ | 604070 | Lubricant |

| Carrier and Harness Assemblies | |
|--------------------------------|---------------------------------------|
| Part No. | Description |
| 10005710 | Ultralite, Single Pull, Low Pressure |
| 10005788 | Ultralite, Dual Purpose, Low Pressure |

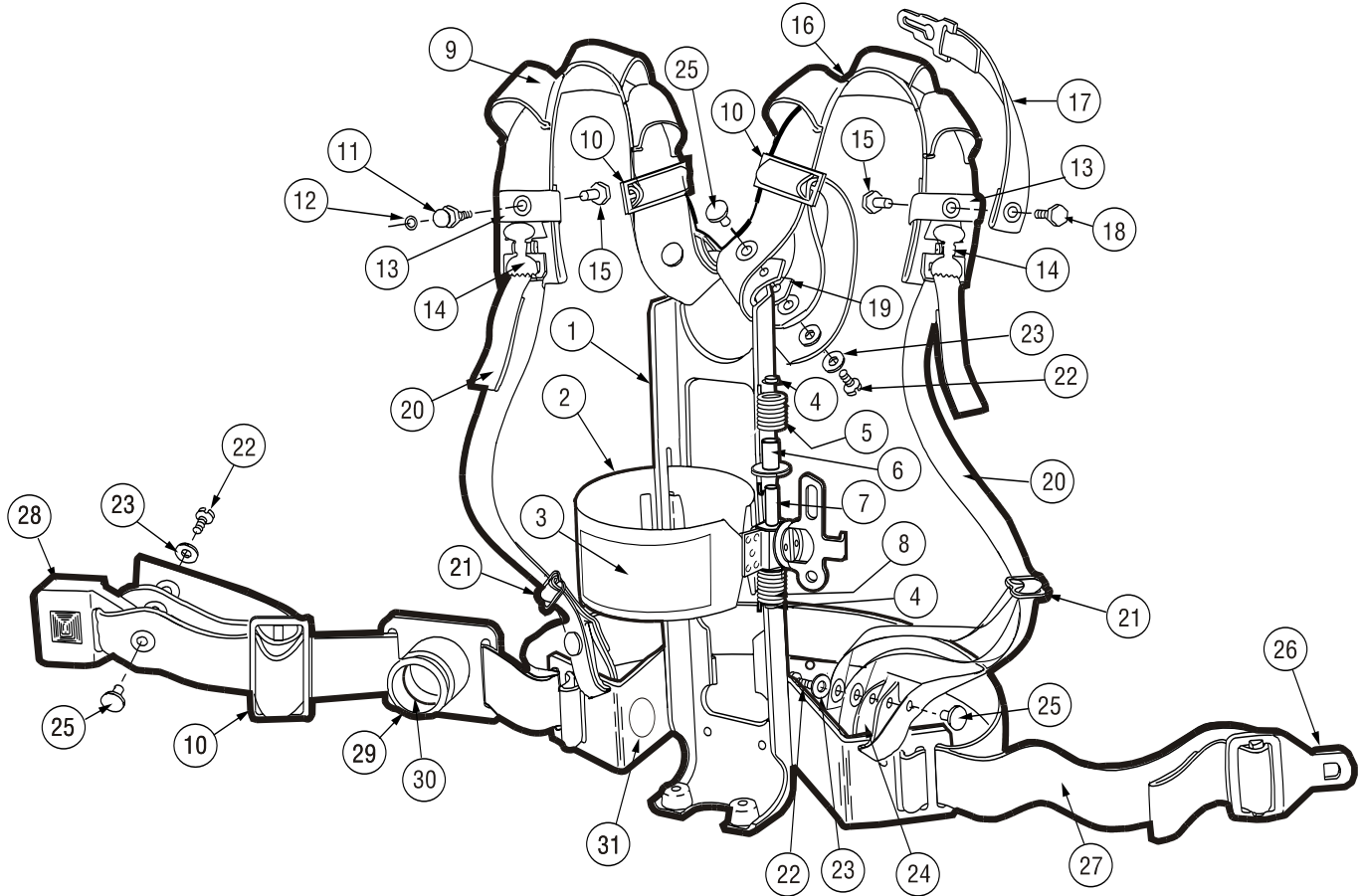
NFPA -1981-1997 Edition Compliant



| Carrier and Harness Components | | | Carrier and Harness Components | | |
|--------------------------------|----------|----------------------------------|--------------------------------|-----------------------------|---|
| Item No. | Part No. | Description | Item No. | Part No. | Description |
| 1 | 10006693 | Carrier Assembly | 19 | 10021933 | Right Pull Belt |
| 2 | 10005787 | Molded Vulcan Carrier | | 818374 | Right Double Pull Belt |
| 3 | 10006692 | Cylinder Band/Latch Assembly | 20 | 818378 | Left Strap, Dual Purpose |
| 4 | 805430 | Cylinder Band Label, Ultralite | | 10006022 | Left Single Pull Belt With Regulator Belt Mount |
| 5 | 10005784 | Band Adjustment Spring Bracket | 21 | 818375 | Left Belt Strap, Dual Purpose with Regulator Belt Mount |
| 6 | 10005786 | Bracket Back Plate | 22 | 10030616 | Top, Carrier Hose Protection Grommet |
| 7 | 10005783 | Cylinder Band Adjustment Bracket | 23 | 10030617 | Bottom, Carrier Grommet (2 Req'd) |
| 8 | 10005950 | Pin (2 Req'd) | | Identification Label | |
| 9 | 10005952 | Retaining Ring (2 Req'd) | 24 | 10009640 | UltraLite, Single Pull |
| 10 | 10005785 | Cylinder Band Latch Bracket | | 10009646 | UltraLite, Dual Purpose |
| 11 | 10012748 | Latch Spring, Right Hand | 25 | 812837 | Regulator Belt Mount 1/4 Turn QD |
| 12 | 10012749 | Latch Spring, Left Hand | 26 | 10018222 | O-Ring |
| 13 | 10005782 | Spring Bushing | Optional | | |
| 14 | 627503 | Rivet (2 Req'd) | 27 | 10012167 | Chest Strap Kit |
| 15 | 10014635 | Washers (2 Req'd) | 28 | 818380 | Left Chest Strap |
| 16 | 10014666 | Bumper (2 Req'd) | 29 | 818379 | Right Chest Strap |
| 17 | 818381 | Shoulder Straps (2 Req'd) | 30 | 10011767 | Lumbar Pad (Not Shown) |
| 18 | 818377 | Right Belt Pull Strap | | | |

| Carrier and Harness Assemblies | |
|--------------------------------|-------------------------|
| Item No. | Description |
| 807869 | Ultralite |
| 814118 | Ultralite, Dual Purpose |

NFPA -1981-1997 Edition Compliant

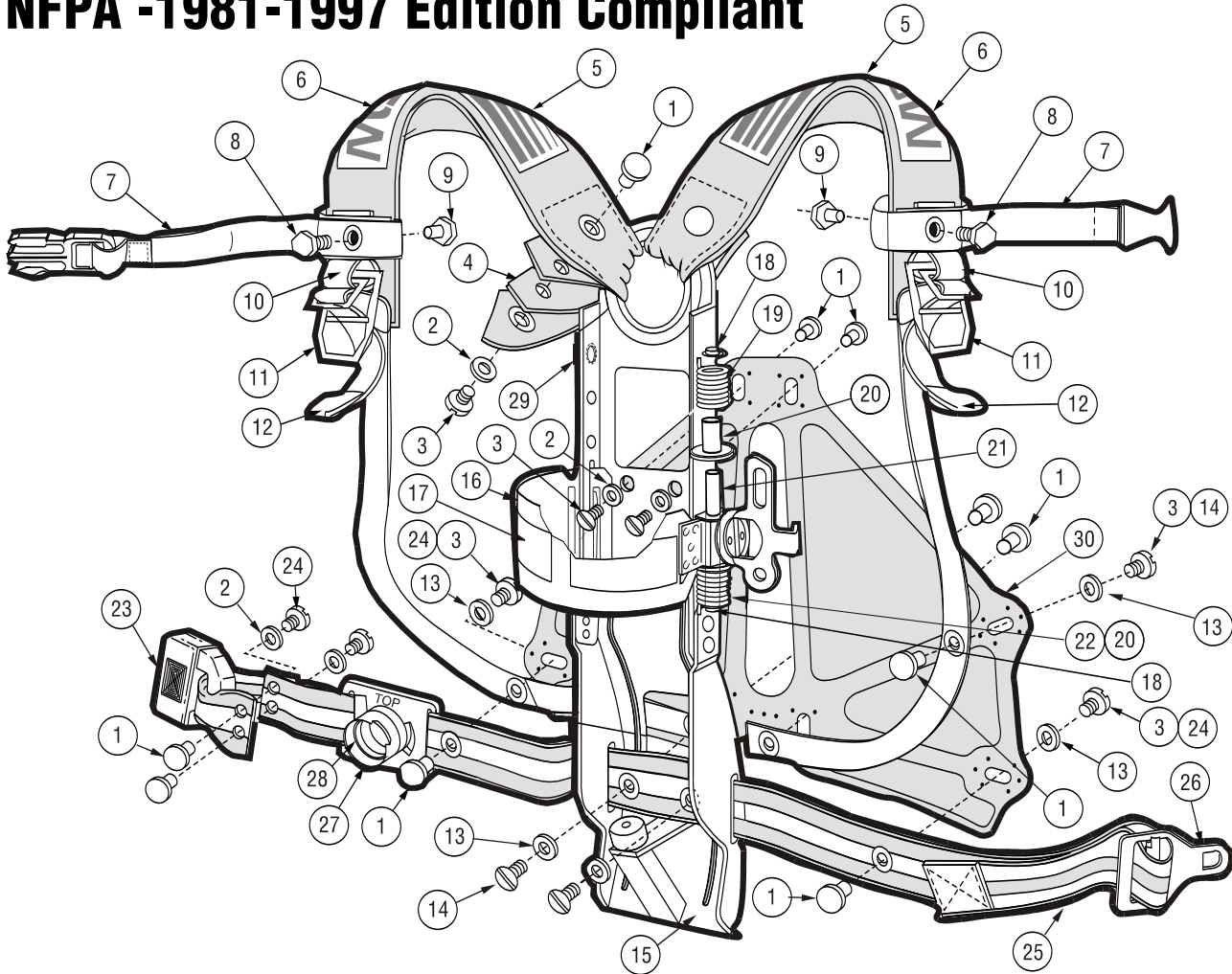


| Wolverine Components | | | Wolverine Components | | |
|----------------------|----------|--|-----------------------------------|----------------------|------------------------------------|
| Item No. | Part No. | Description | Item No. | Part No. | Description |
| 1 | 804483 | Carrier Assembly | 19 | 473261 | Shoulder Strap Wear Pad (2 Req'd) |
| 2 | 817153 | Band and Latch Assembly | 20 | 807816 | Pull Strap (2 Req'd) |
| 3 | 805430 | Cylinder Band Label, Ultralite | 21 | 638131 | 1 inch Slide, Pull Strap (2 Req'd) |
| 4 | 638537 | Push Nut Cap (2 Req'd) | 22 | 65595 | ●Screw #10-32 X 1/2 long (5 Req'd) |
| 5 | 817151 | Right Spring | 23 | 59599 | Washer #10 (5 Req'd) |
| 6 | 818267 | Spring Bushing (2 Req'd) | 24 | 93157 | Pull Strap Wear Pad |
| 7 | 817150 | Spring Pin | 25 | 66833 | ●Capped Tee Nut # 10-32 (5 Req'd) |
| 8 | 817156 | Left Spring | 26 | 816624 | Tongue Buckle Assembly |
| 9 | 807818 | Left Shoulder Strap | 27 | 816021 | Waist Belt |
| 10 | 638132 | 2 inch Slide, Shoulder Strap (2 Req'd) | 28 | 638482 | Seat Belt Buckle |
| 11 | 481142 | ●Latch Holder | 29 | 812837 | Regulator Bracket (Current) |
| 12 | 66040 | O-Ring | | 803713 | Regulator Bracket (Prior) |
| 13 | 807815 | Chest Strap (2 Req'd) | 30 | 10018222 | O-Ring |
| 14 | 481753 | Web Strap Buckle Assembly (2 Req'd) | 31 | Identification Label | |
| 15 | 809954 | Chest Strap Nut (2 Req'd) | | 10022066 | Ultralite |
| 16 | 807818 | Right Shoulder Strap | | 10022071 | Ultralite Dual Purpose |
| 17 | 807814 | Chest Strap, right side | Sealant | | |
| 18 | 809955 | ●Chest Nut Screw | ●29787 Sealant Use (Loctite 222) | | |

Black Rhino™

| Carrier and Harness Assemblies | |
|--------------------------------|--|
| Item No. | Description |
| 816487 | Ultralite, 1/4 Turn Quick Disconnect |
| 10009760 | Ultralite, 1/4 Turn Quick Disconnect with Lumbar Pad |

NFPA -1981-1997 Edition Compliant



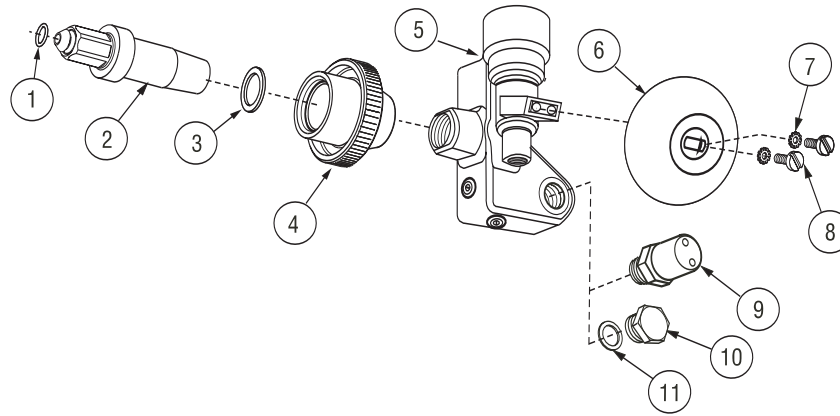
| Black Rhino Components | | | Black Rhino Components | | |
|------------------------|----------|---|-----------------------------------|----------|--------------------------------------|
| Item No. | Part No. | Description | Item No. | Part No. | Description |
| 1 | 66833 | Capped Tee Nut, # 10-32 (12 Req'd) | 15 | 487562 | Carrier Assembly |
| | | Capped Tee Nut # 10-32 (*14 Req'd) | 16 | 817153 | Band and Latch Assembly |
| 2 | 59599 | Washer, 10 (6 Req'd) | 17 | 805430 | Cylinder Band Label, Ultralite |
| 3 | 65595 | ● Screw, # 10-32 X 1/2 long (6 Req'd) | 18 | 638537 | Push Nut Cap (2 Req'd) |
| | | ● Screw, # 10-32 X 1/2 long (*8 Req'd) | 19 | 817151 | Right Spring |
| 4 | 473261 | Wear Pad (2 Req'd) | 20 | 818267 | Spring Bushing (2 Req'd) |
| 5 | 816619 | Shoulder Pad Assembly, Left | 21 | 817150 | Spring Pin |
| | 10005060 | Shoulder Pad Assembly, Right | 22 | 817152 | Left Spring |
| 6 | 816617 | Shoulder Pad, Right/Left | 23 | 816618 | Buckle Assembly |
| 7 | 816630 | Chest Strap Assembly, Left | 24 | 66309 | ● Screw # 10-32 X 3/8 (* 2 Req'd) |
| | 816629 | Chest Strap Assembly, Right | | | ● Screw # 10-32 X 3/8 (4 Req'd) |
| 8 | 816623 | ● Screw, Chest Strap (2 Req'd) | 25 | 816631 | Waist Strap Assembly |
| 9 | 489188 | ● Nut, Chest Strap (2 Req'd) | 26 | 816624 | Tongue Buckle |
| 10 | 816627 | Friction Buckle Strap Assembly Right/Left (2 Req'd) | 27 | 812837 | Belt Mount, Quick Disconnect |
| | | | 28 | 10018222 | O-Ring |
| 11 | 816670 | Friction Buckle Assembly, Right/Left (2 Req'd) | Identification Label | | |
| | | | 29 | 10022081 | Ultralite, 1/4 Turn Quick Disconnect |
| 12 | 816614 | Adjusting Strap (2 Req'd) | 30 | 806292 | Back Pad |
| | | | Optional | | |
| 13 | 58866 | Washer, (6 Req'd) | 31 | 817104 | Lumbar Pad (Not Shown) |
| | | Washer, (*8 Req'd) | 32 | 638517 | * Crossbar Bracket (Not Shown) |
| 14 | 66315 | Screw, #10-32 X 3/4 (2 Req'd) | Sealant | | |
| | 66317 | Screw # 10-32 X 1" (*2 Req'd) | ● 29787 Sealant Use (Loctite 222) | | |

* Carriers with Lumbar Pads

Audi-Larm™

| Audi-Larm Assemblies | |
|----------------------|---------------------------------|
| Part No. | Description |
| 10012994 | 2216 psig (with Quick-Fill) |
| 10012995 | 3000 psig (With Out Quick-Fill) |

NFPA -1981-1997 Edition Compliant

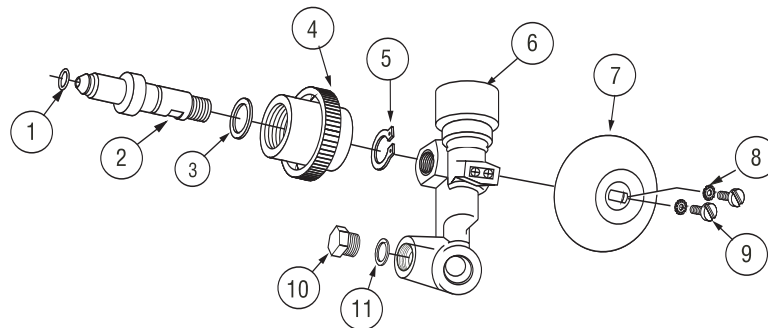


| Audi-Arm Components | | | Audi-Arm Components | | |
|---------------------|----------|-------------------------|------------------------------------|----------|--------------------------------|
| Item No | Part No. | Description | Item No. | Part No. | Description |
| 1 | 633553 | ■ O-Ring | 8 | 635245 | ● Screw #8-32 x 7/16 (2 Req'd) |
| 2 | 10062086 | Hex Type Nipple Fitting | 9 | 484892 | Valve Assembly (2216 psig) |
| 3 | 93031 | Teflon Washer | 10 | 492089 | Plug (3000 psig) |
| 4 | 10062084 | Hand Wheel | 11 | 633776 | ■ O-Ring (3000 psig) |
| 5 | 10005459 | Housing | Lubricant and Sealant | | |
| 6 | 485829 | Bell | ● 29787 Sealant Use (Loctite 222) | | |
| 7 | 54197 | Lock Washer (2 Req'd) | ■ 604070 Lubricant | | |

Audi-Larm™

| Audi-Larm Assembly | |
|--------------------|-------------|
| Part No. | Description |
| 488897 | 2216 psig |

NFPA -1981-1997 Edition Compliant



| Audi-Larm Components | | | Audi-Larm Components | | |
|----------------------|----------|----------------|------------------------------------|----------|---------------------------------|
| Item No. | Part No. | Description | Item No. | Part No. | Description |
| 1 | 633553 | ■ O-Ring | 8 | 54197 | Lock Washer (2 Req'd.) |
| 2 | 473567 | Insert | 9 | 635245 | ● Screw #8-32 x 7/16 (2 Req'd.) |
| 3 | 93031 | Teflon Washer | 10 | 492089 | Plug |
| 4 | 473568 | Coupling Nut | 11 | 633776 | ■ O-Ring |
| 5 | 630192 | Retaining Ring | Lubricant and Sealant | | |
| 6 | 485836 | Housing | ● 29787 Sealant Use (Loctite 222) | | |
| 7 | 485829 | Bell | ■ 604070 Lubricant | | |

Hard Case Assembly

part number 494250

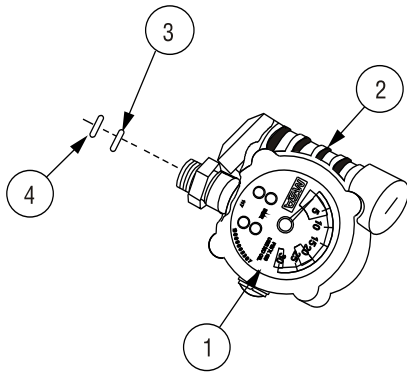
Soft Case Assembly

part number 817092

Redundant Alarm

| Alarm Kit Assembly | |
|--------------------|---|
| Part No. | Description |
| 10009770 | Pressure/Guage Warning Alarm (2216/3000 psig) |

NFPA -1981-1997 Edition Compliant



| Alarm Kit Components | | |
|----------------------|----------|--------------------------------|
| Item No. | Part No. | Description |
| 1 | 10003796 | Warning Alarm (2216/3000 psig) |
| 2 | 10009970 | Guard |
| 3 | 638167 | ■ O-Ring |
| 4 | 635277 | Backup Ring |
| 5 | 10010072 | Battery (Not Shown) |
| 6 | 10016029 | Tether (Not Shown) |
| Lubricant | | |
| ■ 604070 Lubricant | | |



For More Information: Call (1-800-MSA-2222) or Visit Our Website at (www.MSAnet.com)



Be Sure.
Choose MSA.

MINE SAFETY APPLIANCES COMPANY
PITTSBURGH, PENNSYLVANIA, U.S.A. 15230