

PremAire[®] Cadet Escape Responder

PARTS LIST

For More Information, call 1-800-MSA-2222 or Visit Our Website at www.MSAnet.com



MINE SAFETY APPLIANCES COMPANY
CRANBERRY TWP., PENNSYLVANIA, U.S.A. 16066

ULTRA ELITE RESPONDER FACEPIECE

Replacement Kits

	P/N	Description
Ultra Elite Responder Facepiece	10093924	Small
	10093923	Medium
	10093925	Large
	10093927	Small, CC-ready*
	10093926	Medium, CC-ready*
	10093928	Large, CC-ready*
	10093930	Small, w/ UID
	10093929	Medium, w/ UID
	10093931	Large, w/ UID
	10094029	Small, UID, CC-ready*
	10094028	Medium, w/ UID, CC-ready*
	10094030	Large, w/ UID, CC-ready*
	10093935	304746
304749		Drinking Tube Coupling
10030789	10025295	Lens Receptacle Inhalation Valve Disc (Pack of 6)
10093945	10082500	#6 x 32 Nut (Pack of 10)
	10093937	Internal Drinking Tube
	10093919	Lens Plug (Pack of 5)
	10093920	Component Housing Cover
	10093921	Nosecup, Medium
	10093922	Nosecup, Large
	10093932	Lens Cover Label (Pack of 10)
	10093933	Lens Assembly
	10030789	Lens Receptacle Inhalation Valve Disc (Pack of 6)
	10093934	Cover Assembly
	10093936	Component Housing Assembly, CC-ready*
	10093938	Component Housing Assembly
	10024076	ClearCommand Communication System Microphone
	10024077	ClearCommand Communication System Mounting Bracket
	10093945	#6 – 32 Nut (Pack of 10)
	10093939	Pneumatic Nut (Pack of 5)
	10093940	Pneumatic Assembly
	10093941	Pneumatic Piston
	10093942	Pneumatic Spring (Pack of 5)
	10093943	Pneumatic Retainer (Pack of 5)
	10093944	Silicone O-Ring (Pack of 20)
	10086032	Pneumatic Nut Special Tool

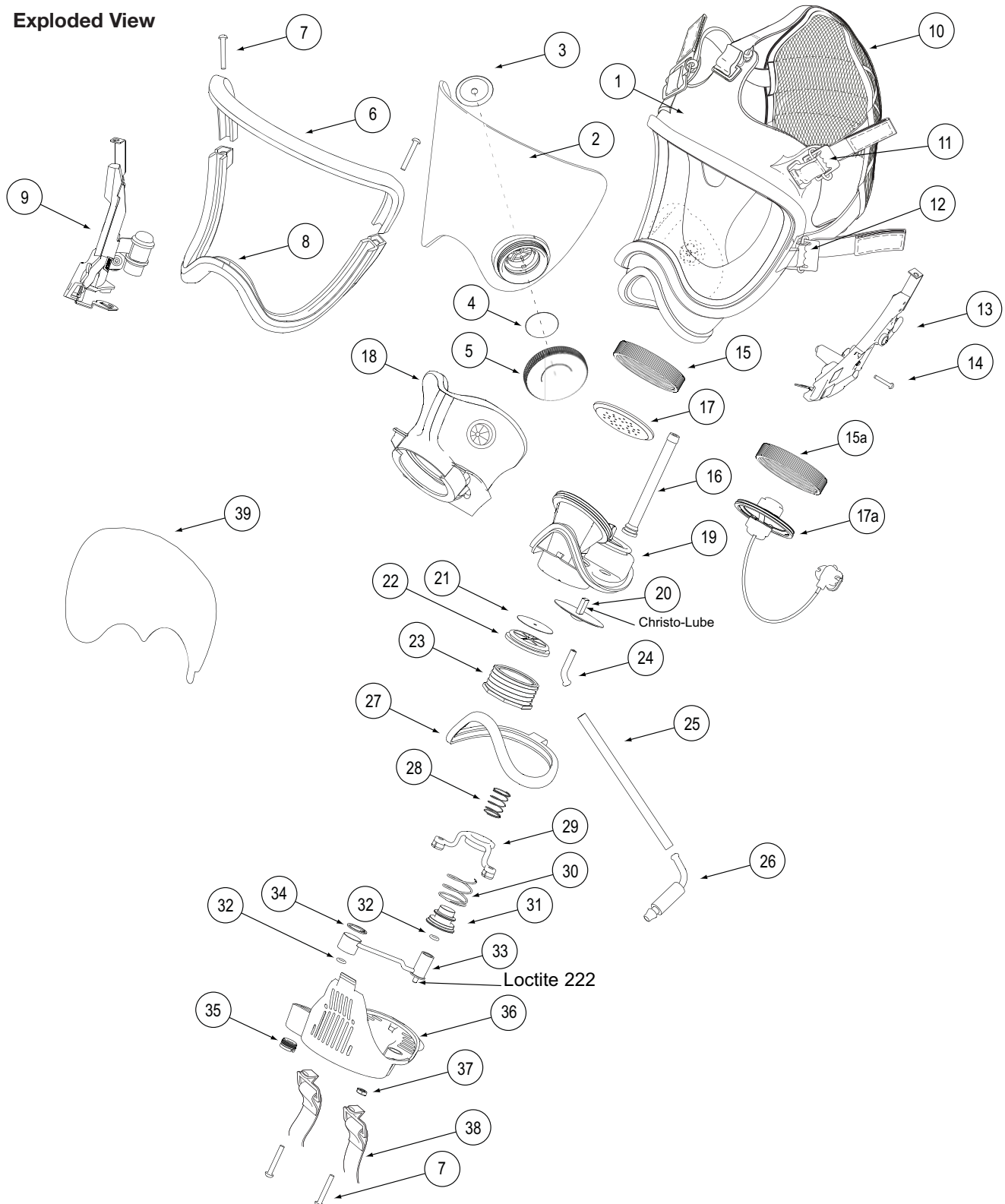
* Includes ClearCommand Communication System Microphone

Parts List

Item	P/N	Description
1	-	Ultra Elite Responder Facepiece
2	10082479	Lens Assembly
3	10025295	Lens Receptacle Inhalation Valve Disc
4	10082477	O-Ring
5	10082476	Lens Port Plug
6	489203	Upper Lens Ring
7	10082500	Screw
8	491139	Lower Lens Ring
9	10083133	HUD Bracket
10	10031102	Speed-ON® Harness Assembly
11	494297	Buckles (3 Req'd.)
12	494298	Buckle Assembly with D-Ring (2 Req'd.)
13	10057484	ClearCommand Communication System Mounting Bracket
14	10025381	Screw
15	490130	Black Speaking Diaphragm Retainer
15a	10023505	Gray Speaking Diaphragm Retainer (ClearCommand Communication System)
16	10082544	Internal Drinking Tube
17	495272	Speaking Diaphragm
17a	10024076	ClearCommand Communication System Microphone
18	10082529	Nosecup, Medium
	10082531	Nosecup, Large
19	10082545	Component Housing
20	490121	Stem
	490132	Exhalation Valve
21	491933	Inhalation Valve Disc
22	490134	Valve Spider
23	10018621	Adapter Assembly
24	10082503	Drinking Tube Connector
25	304746	External Drinking Tube
26	304749	Drinking Tube Coupling
27	804693	Component Housing Ring
28	490133	Exhalation Valve Spring
29	10082498	Pneumatic Retainer
30	10082497	Pneumatic Spring
31	10082496	Pneumatic Piston
32	10082499	O-Ring
33	10082495	Pneumatic Assembly
34	10082508	Retaining Ring
35	10082494	Pneumatic Nut
36	10082490	Component Housing Cover
	10082501	Component Housing Cover w/ UID
	10095019	Component Housing Cover
37	10082500	#6 x 32 Nut
38	804696	Neck strap
39	10082547	Lens Cover Label
	604070	Christo-Lube
	10086032	Pneumatic Nut Special Tool
40	10034748	Screws

ULTRA ELITE RESPONDER FACEPIECE

Exploded View



FIREHAWK RESPONDER SECOND STAGE REGULATOR

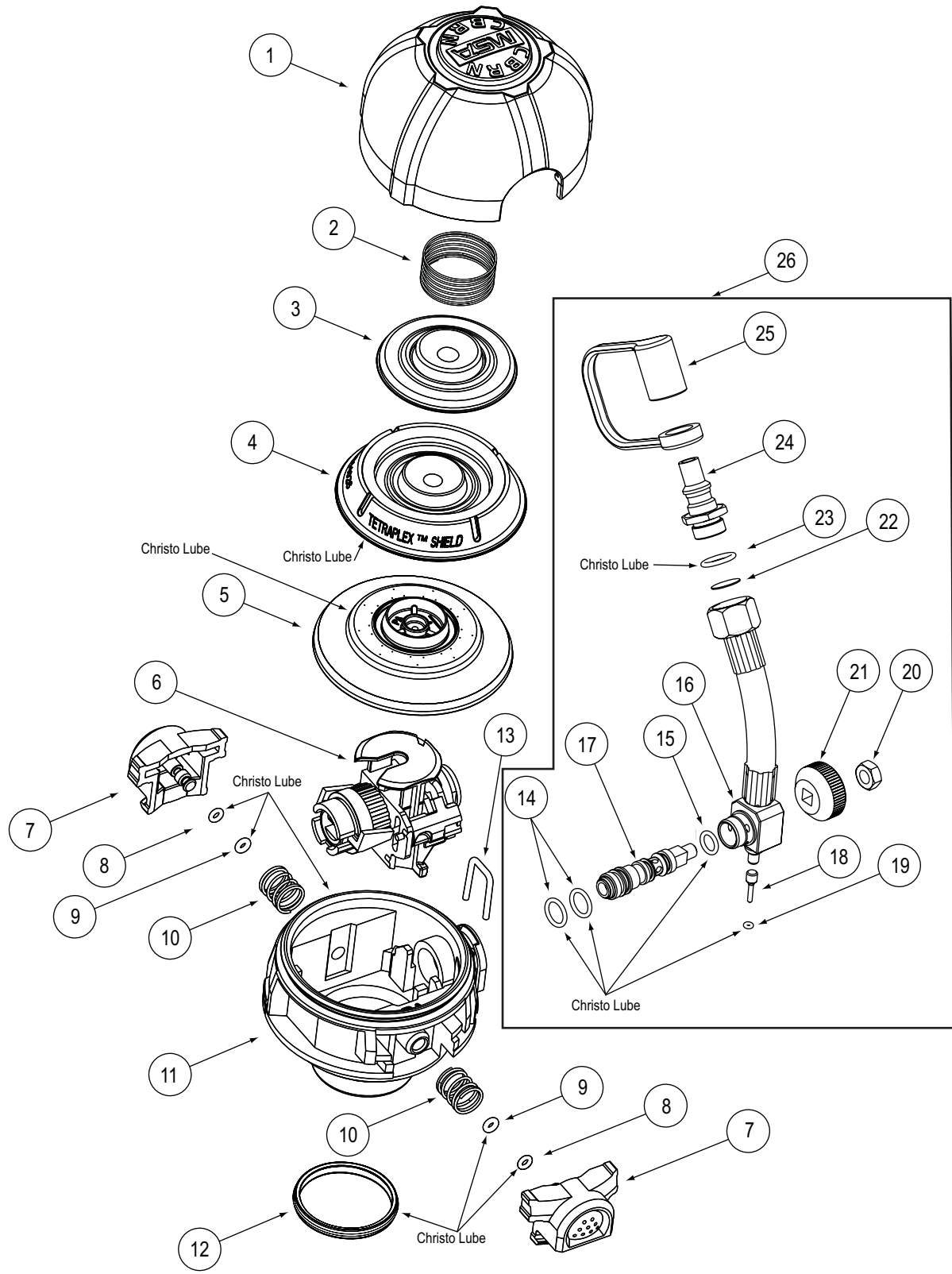
Replacement Kits and Overhaul Kit

P/N	Description	
Firehawk Responder Second Stage Regulator Replacement Kits		
10082527	Firehawk Responder Regulator	
10093810	10087295	Valve Assembly
	10087301	Housing Assembly
	10092041	Diaphragm Spring
	10037951	O-ring (2)
	10023509	O-ring (2)
10087295	10087295	Valve Assembly
10093809	10087301	Housing Assembly
	10037951	O-ring (2)
	10023509	O-ring (2)
10091435	10047528	Spring Cap
	10044026	CBRN Shield
10093946	10082481	Bypass Knob
10093950	10082486	Nut (Pack of 5)
10094014	10082489	Bypass Assembly
10093948	10082484	Bypass Insert Assembly
10093947	10082482	Bypass Stem (Pack of 5)
10018547	10018547	U-Clip
10093949	10082485	Bypass Screen (Pack of 5)
10091436	10031192	Regulator Outlet O-Ring (Pack of 10)
10091439	10018965	Spring, Button (Pack of 10)
10094012	10082487	O-Ring (Pack of 10)
10094013	10082488	O-Ring (Pack of 10)
10091461	634669	O-Ring (Pack of 10)
Height Gauge Kit		
10090457	10090457	Height Gauge for P/N 10087295
Firehawk Responder Second Stage Regulator Overhaul Kit		
10097667	10092041	Diaphragm Spring
	10047528	Spring Cap
	10044026	CBRN Shield
	10039172	CBRN Diaphragm
	10023509	O-Ring (2 Required)
	10037951	O-Ring (2 Required)
	10031192	Seal Ring
	10082487	O-Ring (2 Required)
	697453	O-Ring
	10082488	Bypass Stem O-Ring
	10082485	Bypass Screen
	632736	O-Ring

Parts List

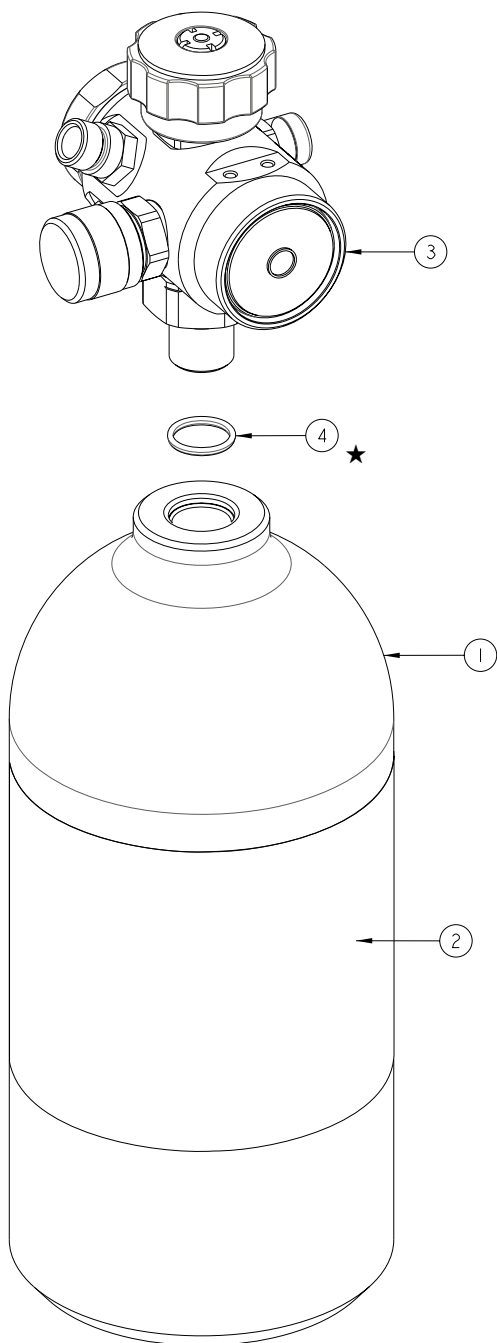
Item	P/N	Description
1	10047664	Cover
2	10092041	Diaphragm Spring
3	10047528	Spring Cap
4	10044026	Tetraplex CBRN Shield
5	10039172	CBRN Diaphragm
6	10087295	Valve Assembly
7	10047238	Button (2 Required)
8	10023509	O-Ring (2 Required)
9	10037951	O-Ring (2 Required)
10	10018965	Spring, Button (2 Required)
11	10087301	Housing Assembly
12	10031192	Seal Ring
13	10018547	U-Clip
14	10082487	O-Ring (2 Required)
15	697453	O-Ring
16	10111834	Bypass Housing
17	10082484	Bypass Insert
18	10082842	Bypass Stem
19	10082488	Bypass Stem O-Ring
20	10082486	Bypass Nut
21	10082481	Bypass Knob
22	10082485	Bypass Screen
23	632736	O-Ring
24	637945	Nipple
25	813035	Dust Cover
	604070	Christo-Lube Lubricant
26	10082489	Bypass Assembly

FIREHAWK RESPONDER SECOND STAGE REGULATOR



CYLINDER AND VALVE ASSEMBLY

5 Minute Aluminum 2216 psig: P/N 10061364
 10 Minute Aluminum 3000 psig: P/N 10061365
 5 Minute Carbon 3000 psig: P/N 10061366
 10 Minute Carbon 3000 psig: P/N 10061367
 15 Minute Carbon 3000 psig: P/N 10065044

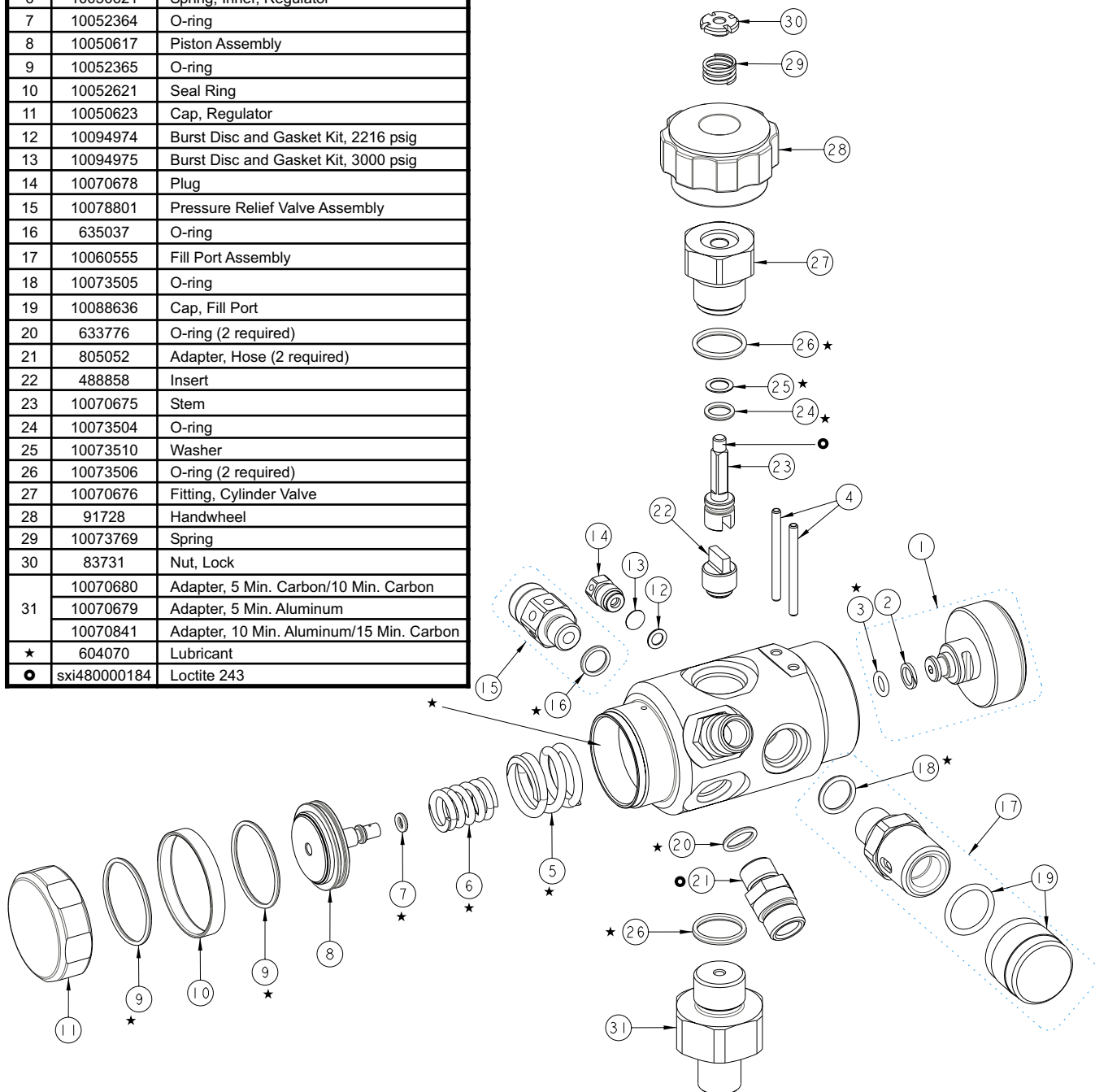


Cylinder and Valve Assembly		
Item	P/N	Description
1	818157	Cylinder, 5 Min., Aluminum, 2216 psig
	802190	Cylinder, 10 Min., Aluminum, 3000 psig
	10042390	Cylinder, 5 Min., Carbon, 3000 psig
	10042391	Cylinder, 10 Min., Carbon, 3000 psig
	10065043	Cylinder, 15 Min., Carbon, 3000 psig
2	10061372	Label, 5 Min., Aluminum
	10061373	Label, 10 Min., Aluminum
	10061374	Label, 5 Min., Carbon
	10061375	Label, 10 Min., Carbon
	10061376	Label, 15 Min., Carbon
3	10061361	Valve Assembly, 5 Min. Carbon/10 Min. Carbon
	10061362	Valve Assembly, 5 Min. Aluminum
	10061363	Valve Assembly, 10 Min. Aluminum/15 Min. Carbon
4	633549	O-ring, 5 Min. Carbon/10 Min. Carbon
	68542	O-ring, 5 Min. Aluminum
	633550	O-ring, 10 Min. Aluminum/15 Min. Carbon
★	604070	Lubricant

VALVE ASSEMBLY

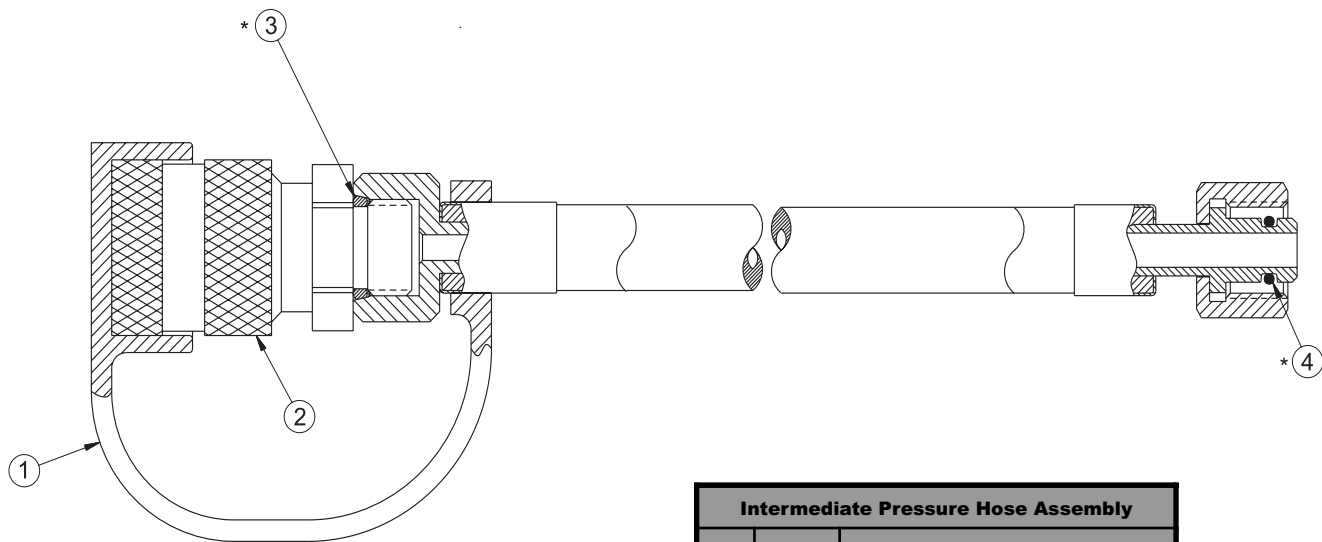
5 Minute Carbon / 10 Minute Carbon: P/N 10061361
 5 Minute Aluminum: P/N 10061362
 10 Minute Aluminum / 15 Minute Carbon: P/N 10061363

Cylinder and Valve Assembly		
Item	P/N	Description
1	10075662	Gauge Assembly
2	635278	Back-Up Ring
3	63198	O-ring
4	10060571	Roll Pin
5	10050620	Spring, Outer, Regulator
6	10050621	Spring, Inner, Regulator
7	10052364	O-ring
8	10050617	Piston Assembly
9	10052365	O-ring
10	10052621	Seal Ring
11	10050623	Cap, Regulator
12	10094974	Burst Disc and Gasket Kit, 2216 psig
13	10094975	Burst Disc and Gasket Kit, 3000 psig
14	10070678	Plug
15	10078801	Pressure Relief Valve Assembly
16	635037	O-ring
17	10060555	Fill Port Assembly
18	10073505	O-ring
19	10088636	Cap, Fill Port
20	633776	O-ring (2 required)
21	805052	Adapter, Hose (2 required)
22	488858	Insert
23	10070675	Stem
24	10073504	O-ring
25	10073510	Washer
26	10073506	O-ring (2 required)
27	10070676	Fitting, Cylinder Valve
28	91728	Handwheel
29	10073769	Spring
30	83731	Nut, Lock
31	10070680	Adapter, 5 Min. Carbon/10 Min. Carbon
	10070679	Adapter, 5 Min. Aluminum
	10070841	Adapter, 10 Min. Aluminum/15 Min. Carbon
★	604070	Lubricant
●	sxi48000184	Loctite 243



INTERMEDIATE PRESSURE HOSE ASSEMBLY (RESPONDER)

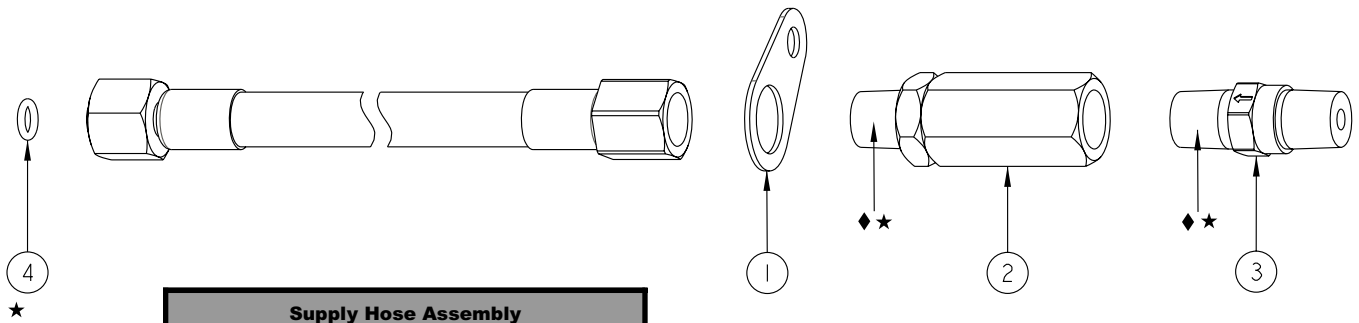
P/N 10102480



Intermediate Pressure Hose Assembly		
Item	P/N	Description
1	813034	Cover, Dust, Neoprene
2	637946	Coupler Assembly
3	632736	O-ring, Buna-N
4	63198	O-ring, Silicone
★	604070	Lubricant

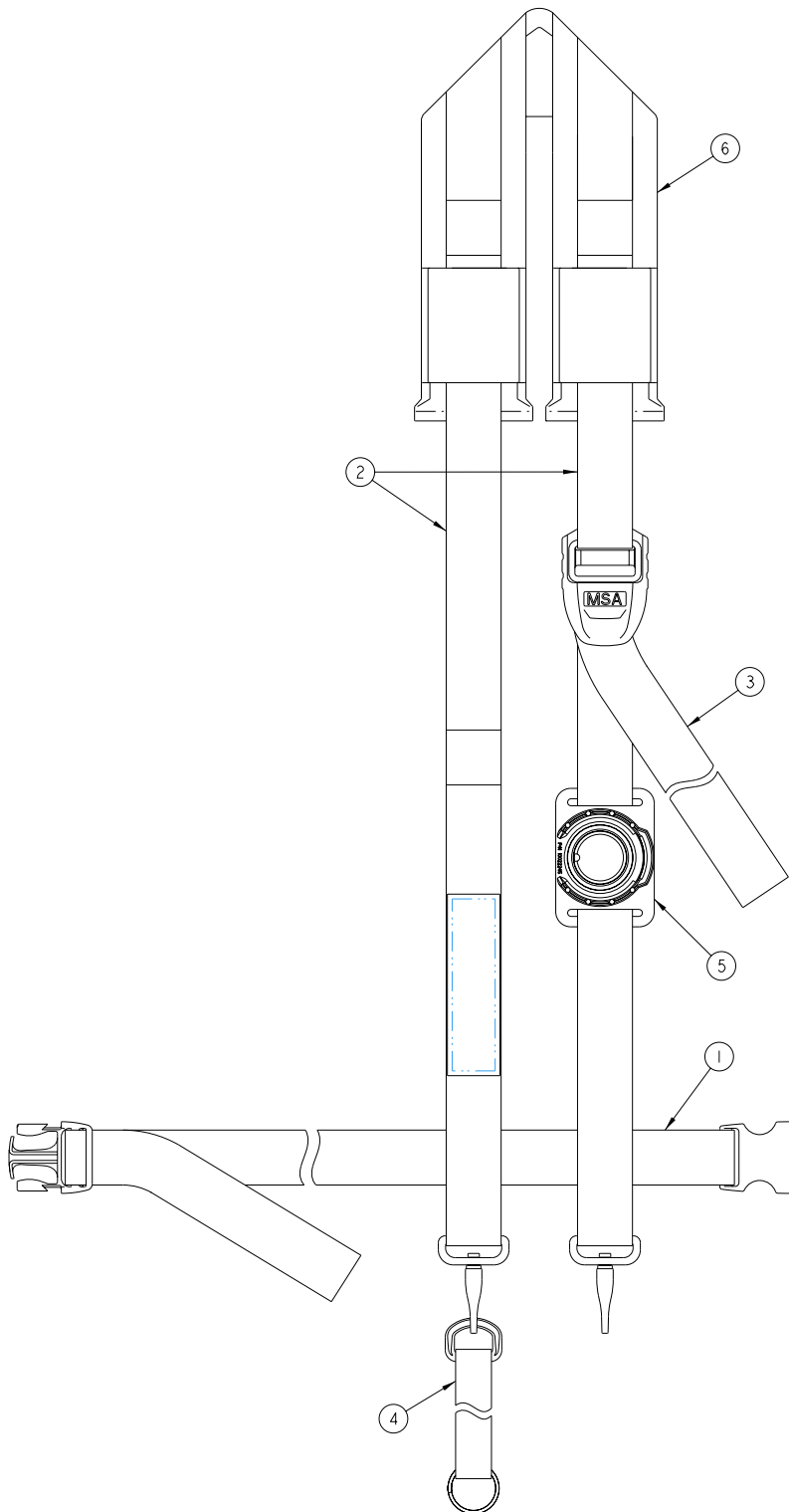
SUPPLY HOSE ASSEMBLY

P/N 10073511



Supply Hose Assembly		
Item	P/N	Description
1	481276	Ring, Snap
2	637773	Filter
3	630326	Valve, Check
4	63198	O-ring
★	604070	Lubricant

HARNESS ASSEMBLY

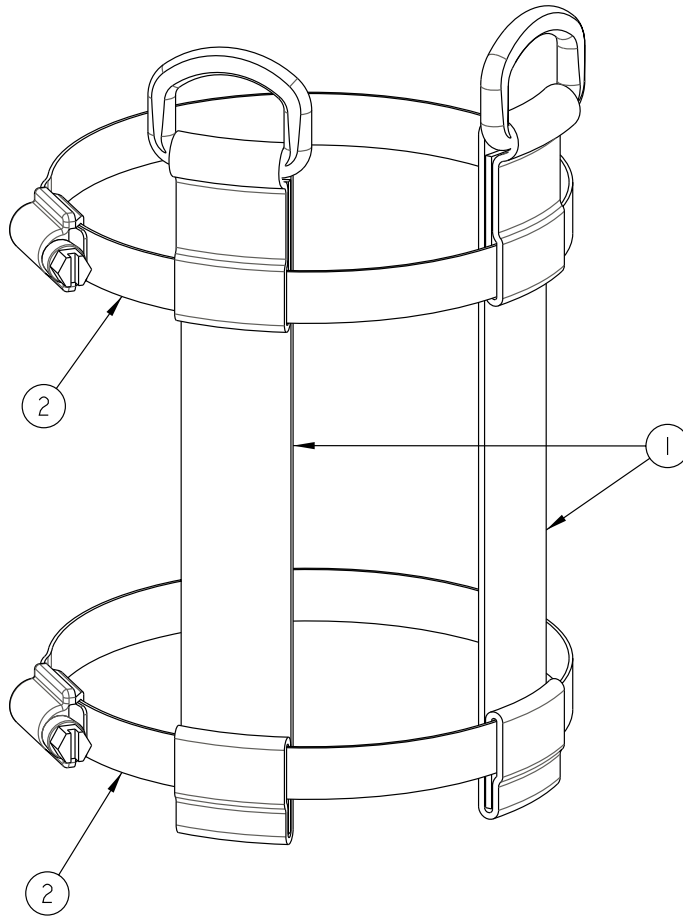


Harness Assembly		
Item	P/N	Description
1	10071091	Waist Strap, Nylon
	10071092	Waist Strap, Nylon, Long
	10071093	Waist Strap, Kevlar
	10071094	Waist Strap, Kevlar, Long
2	10071047	Shoulder Strap, Nylon
	10071048	Shoulder Strap, Kevlar
3	10071049	Pull Strap, Nylon
	10071050	Pull Strap, Kevlar
4	10073512	Hose Strap, Nylon
	10073513	Hose Strap, Kevlar
5	10022245	Mount, Firehawk
6	10037253	Shoulder Pad

SUPPLY HOSE ASSEMBLY

Nylon: P/N 10073516

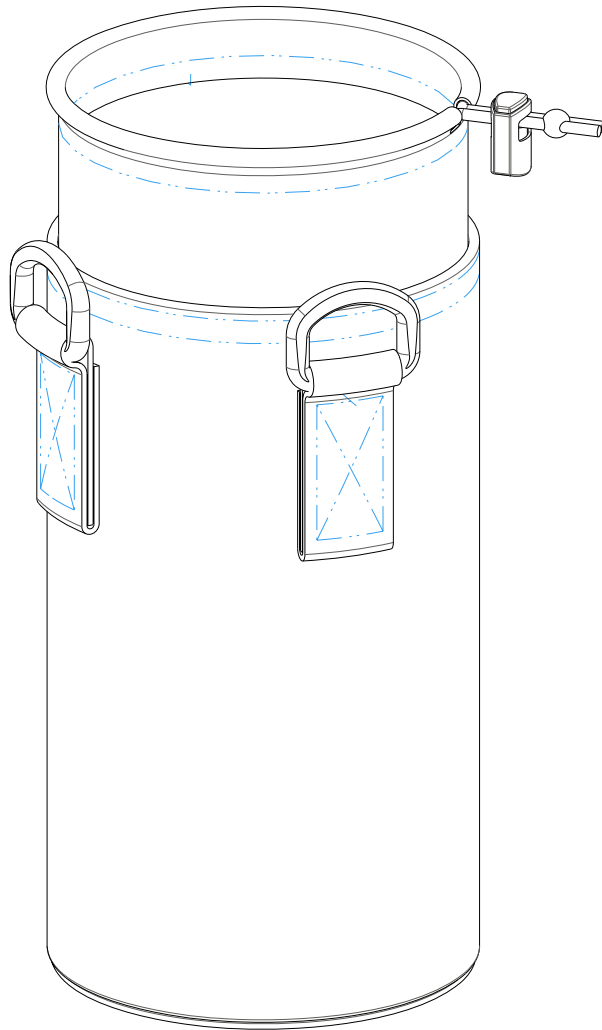
Kevlar: P/N 10073517



Standard Cylinder Carrier		
Item	P/N	Description
1	10071095	Strap, Nylon (2 required)
	10071096	Strap, Kevlar (2 required)
2	10062798	Clamp (2 required)

BAG CYLINDER CARRIER

5 Minute Nylon: P/N 10061349
5 Minute Kevlar: P/N 10061353
10 Minute Nylon: P/N 10061350
10 Minute Kevlar: P/N 10061354
15 Minute Nylon: P/N 10078802
15 Minute Kevlar: P/N 10078803



BAG CYLINDER CARRIER

FireHawk M7 HUD Replacement Kits

FireHawk M7 HUD Mounting Bracket		
10083233	10083133	Mounting Bracket
FireHawk M7 HUD O-Ring Kit		
10090218	10084773	O-Ring (Pack of 10)
FireHawk M7 HUD Assembly w/o mounting bracket		
10091446	10084773	O-Ring
	10083132	HUD Assembly
	10087292	Warning tag
	10086580	Battery
FireHawk M7 HUD Assembly w/ mounting bracket		
10091447	10083133	Mounting Bracket
	10084773	O-Ring
	10083132	HUD Assembly
	10087292	Warning tag
	10086580	Battery

M7 Responder HUD Replacement Kits

M7 Responder HUD Mounting Bracket		
10095324	10082552	Mounting Bracket
M7 Responder HUD O-Ring Kit		
10090218	10084773	O-Ring (Pack of 10)
M7 Responder HUD Assembly w/o mounting bracket		
10093911	10084773	O-Ring
	10086013	HUD Assembly
	10087292	Warning tag
	10086580	Battery
M7 Responder HUD Assembly w/ mounting bracket		
10093912	10082552	Mounting Bracket
	10084773	O-Ring
	10086013	HUD Assembly
	10087292	Warning tag
	10086580	Battery

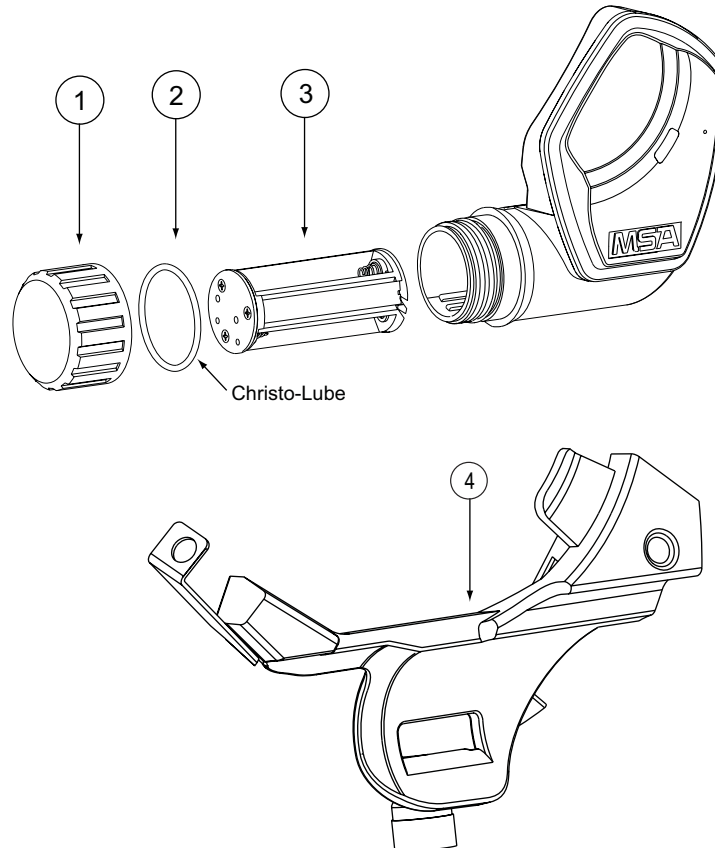
FireHawk M7 HUD Parts List

Item	P/N	Description
1	10081783	Battery Cap
2	10084773	O-ring
3	10083232	Battery Cartridge
4	10083133	Mounting Bracket

M7 Responder HUD Parts List

Item	P/N	Description
1	10081783	Battery Cap
2	10084773	O-ring
3	10083232	Battery Cartridge
4	10082552	Mounting Bracket

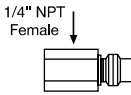
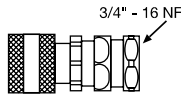
Exploded View



QUICK-DISCONNECTS

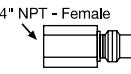
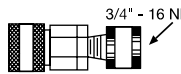
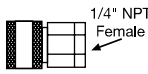
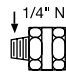
LOCKING TYPES

SNAP-TITE — Aluminum (AL), Brass (BR), Stainless Steel (SST)

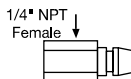
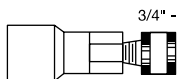
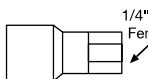
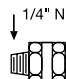
 <p>1/4" NPT Female</p> <p>479027 Plug For (AL) Quick Disconnect Assembly 479029 Plug For (Brass) Quick Disconnect Assembly 479028 Plug For (SST) Quick Disconnect Assembly</p>	 <p>3/4" - 16 NF</p> <p>479032 (AL) Socket 479034 (Brass) Socket 479033 (SST) Socket</p>
<p>CEJN</p> <p>479026 Plug For (Chrome) Quick Disconnect Assembly 476956 (Nickel) Socket</p>	

NON-LOCKING TYPES

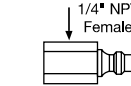
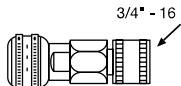
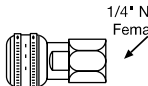
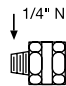
SNAP-TITE — Aluminum (AL), Brass (BR), Stainless Steel (SST)

 <p>1/4" NPT - Female</p> <p>66274 Plug For (AL) Quick Disconnect Assembly 630307 Plug For (BR) Quick Disconnect Assembly 629672 Plug For (SST) Quick Disconnect Assembly</p>	 <p>3/4" - 16 NF</p> <p>455019 (AL) Socket Assembly 471777 (BR) Socket Assembly 471778 (SST) Socket Assembly</p>	 <p>1/4" NPT Female</p> <p>62872 (AL) Socket 630305 (BR) Socket 629673 (SST) Socket</p>	 <p>1/4" NPT</p> <p>69541 Air Supply Hose Connector</p>
--	---	---	--

FOSTER — Steel (S) Stainless Steel (SST)

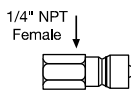
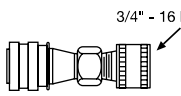
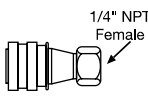
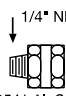
 <p>1/4" NPT Female</p> <p>55716 Plug For (S) Quick Disconnect Assembly 636460 Plug for (SST) Quick Disconnect Assembly</p>	 <p>3/4" - 16 NF</p> <p>467044 (S) Socket Assembly 801016 (SST) Socket Assembly</p>	 <p>1/4" NPT Female</p> <p>628770 (S) Socket 636459 (SST) Socket</p>	 <p>1/4" NPT</p> <p>808360 - SS Air Supply Hose Connector</p>
--	--	--	--

HANSEN — Brass (BR)

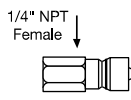
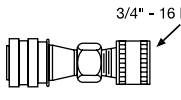
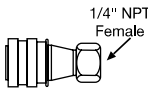
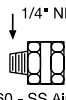
 <p>1/4" NPT Female</p> <p>630313 Plug For (BR) Quick Disconnect Assembly</p>	 <p>3/4" - 16 NF</p> <p>471501 (BR) Socket Assembly</p>	 <p>1/4" NPT Female</p> <p>630311 (BR) Socket</p>	 <p>1/4" NPT</p> <p>69541 Air Supply Hose Connector</p>
--	--	---	--

NON-LOCKING TYPES — WITH CHECK VALVE IN PLUG

FOSTER — Brass (BR)

 <p>1/4" NPT Female</p> <p>629981 Plug For (BR) Quick Disconnect Assembly</p>	 <p>3/4" - 16 NF</p> <p>470194 (BR) Socket Assembly</p>	 <p>1/4" NPT Female</p> <p>629980 (BR) Socket</p>	 <p>1/4" NPT</p> <p>69541 Air Supply Hose Connector</p>
--	--	---	--

HANSEN — Stainless Steel (SST)

 <p>1/4" NPT Female</p> <p>628208 Plug For (SST) Quick Disconnect Assembly</p>	 <p>3/4" - 16 NF</p> <p>471779 (SST) Socket Assembly</p>	 <p>1/4" NPT Female</p> <p>628768 (SST) Socket</p>	 <p>1/4" NPT</p> <p>808360 - SS Air Supply Hose Connector</p>
---	---	--	--