

Parts List:

FireHawk[®] M7 Air Mask

FireHawk[®] M7 Responder[®] Air Mask

Parts List

For More Information, call 1-800-MSA-2222 or Visit Our Website at www.MSAafety.com



1000 Cranberry Woods Drive
Cranberry Twp. Pennsylvania, U.S.A. 16066

TABLE OF CONTENTS

FireHawk M7 Carrier and Harness	
Replacement Kits	.3
Exploded View	.4
Parts List	.4
Replacement Kits and Parts List (cont)	.5
Exploded View (cont)	.5
Replacement Kits and Parts List (cont)	.6
Exploded View (cont)	.6
FireHawk M7 Cylinder and Valve	
Replacement Kits	.7
Cylinder Replacement Kits	.7
Cylinder Valve Replacement Kits	.7
Parts List	.8
Exploded View	.9
FireHawk M7 Audi-Larm® Audible Alarm	
Replacement and Maintenance Kits: 2216/4500 psi	.10
Parts List	.10
Exploded view: 2216/4500 psi	.11
Replacement and Maintenance Kits: 3000 psi Parts List	.12
Exploded view: 3000 psi	.13
FireHawk M7 PR14 First Stage Regulator	
Replacement Kits	.14
Parts List	.14
Exploded View	.15
Firehawk M7 Second Stage Regulator	
Replacement and Overhaul Kits	.16
Parts List	.16
Exploded View	.17
Firehawk Responder Second Stage Regulator	
Replacement Kits and Overhaul Kits	.18
Parts List	.18
Exploded View	.19
FireHawk M7 Ultra Elite Facepiece	
Replacement Kits	.20
Parts List	.20
Exploded View	.21
FireHawk M7 Responder Ultra Elite® Facepiece	
Replacement Kits	.22
Parts List	.22
Exploded View	.23
FireHawk M7 Control Module	
Replacement Kits	.24
Parts List	.24
Exploded Views	.25
FireHawk M7 Control Module without Quick-Fill System	.25
FireHawk M7 Control Module with Quick-Fill System	.25
FireHawk M7 Power Module	
Replacement Kits and Parts List	.26
Exploded View	.27
FireHawk M7 and Responder HUD (Heads Up Display)	
Replacement Kits and Parts Lists	.28
Exploded View	.28
FireHawk M7 Air Mask and FireHawk M7 Responder Air Mask Hose Assemblies	
Parts List	.29
Exploded Views	.29
FireHawk M7 Air Responder APR Breathing Tube	
Replacement Kits	.30
Parts List	.30
Exploded View	.30

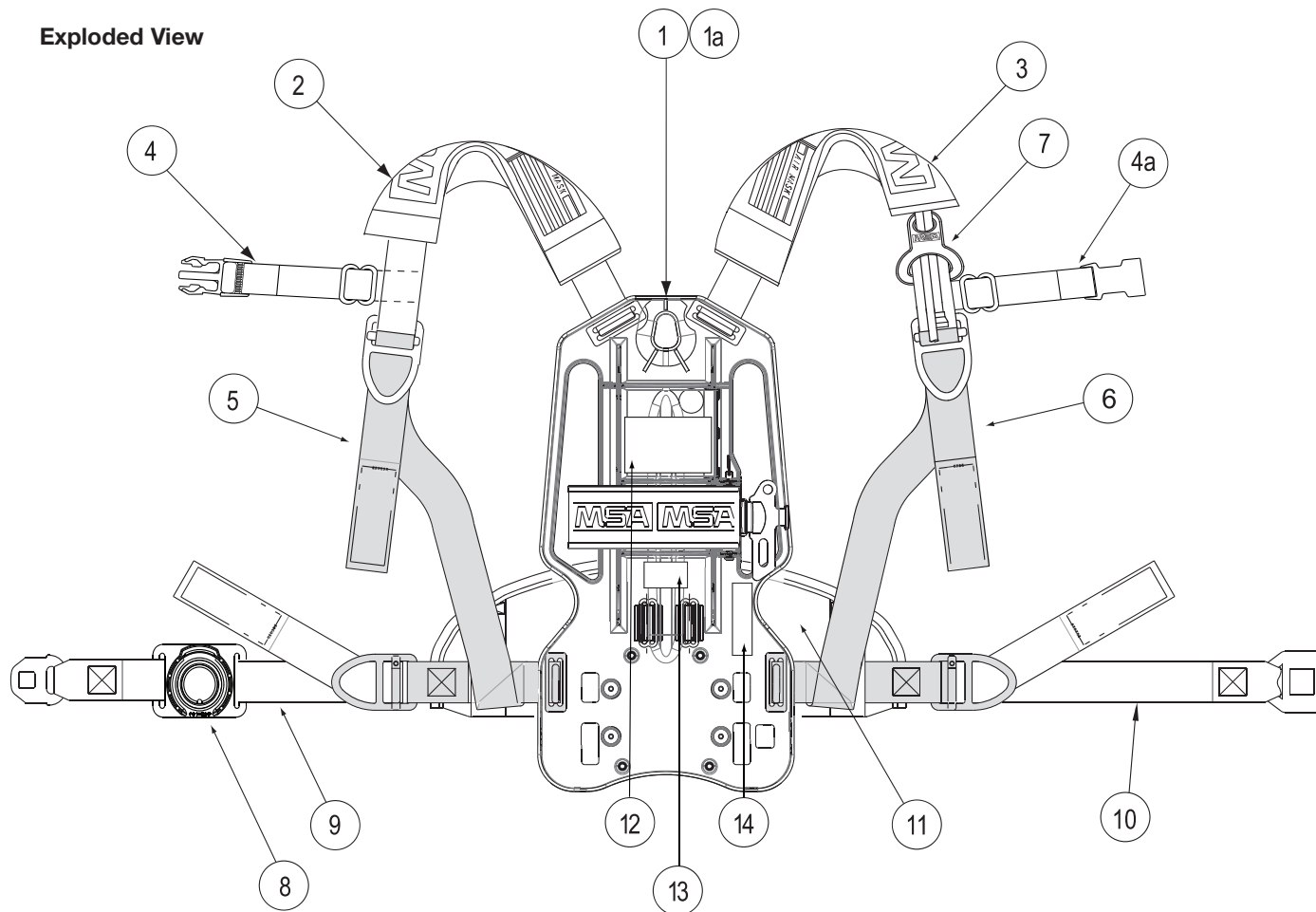
FIREHAWK M7 CARRIER AND HARNESS

Replacement Kits

FireHawk M7 Carrier w/Labels (2216 psi/3000 psi)		
10090852	10083436	Carrier Assembly
	10084688	ID Label
	805430	Cylinder Band Label
		NIOSH Label
		CBRN Label
		NFPA Label
	10087293	FireHawk M7 Logo Label
FireHawk M7 Carrier w/Labels (4500 psi)		
10090853	10083436	Carrier Assembly
	10084688	ID Label
	805265	Cylinder Band Label
		NIOSH Label
		CBRN Label
		NFPA Label
	10087293	FireHawk M7 Logo Label
Chest Strap Replacement Kit		
10012167	10102886	Left Chest Strap
	10102861	Right Chest Strap
Strap and Belts		
10102889	10102889	Left Shoulder Strap
10102888	10102888	Right Shoulder Strap
10012167	10012167	Chest Strap
10102860	10102860	Left Double Pull Strap
10102859	10102859	Right Double Pull Strap
10083134	10083134	Swiveling Lumbar Pad
10102858	10102858	Left Double Pull Belt
10102838	10102838	Right Pull Belt
10022245	10022245	Belt Mount

FIREHAWK M7 CARRIER AND HARNESS

Exploded View



Parts List

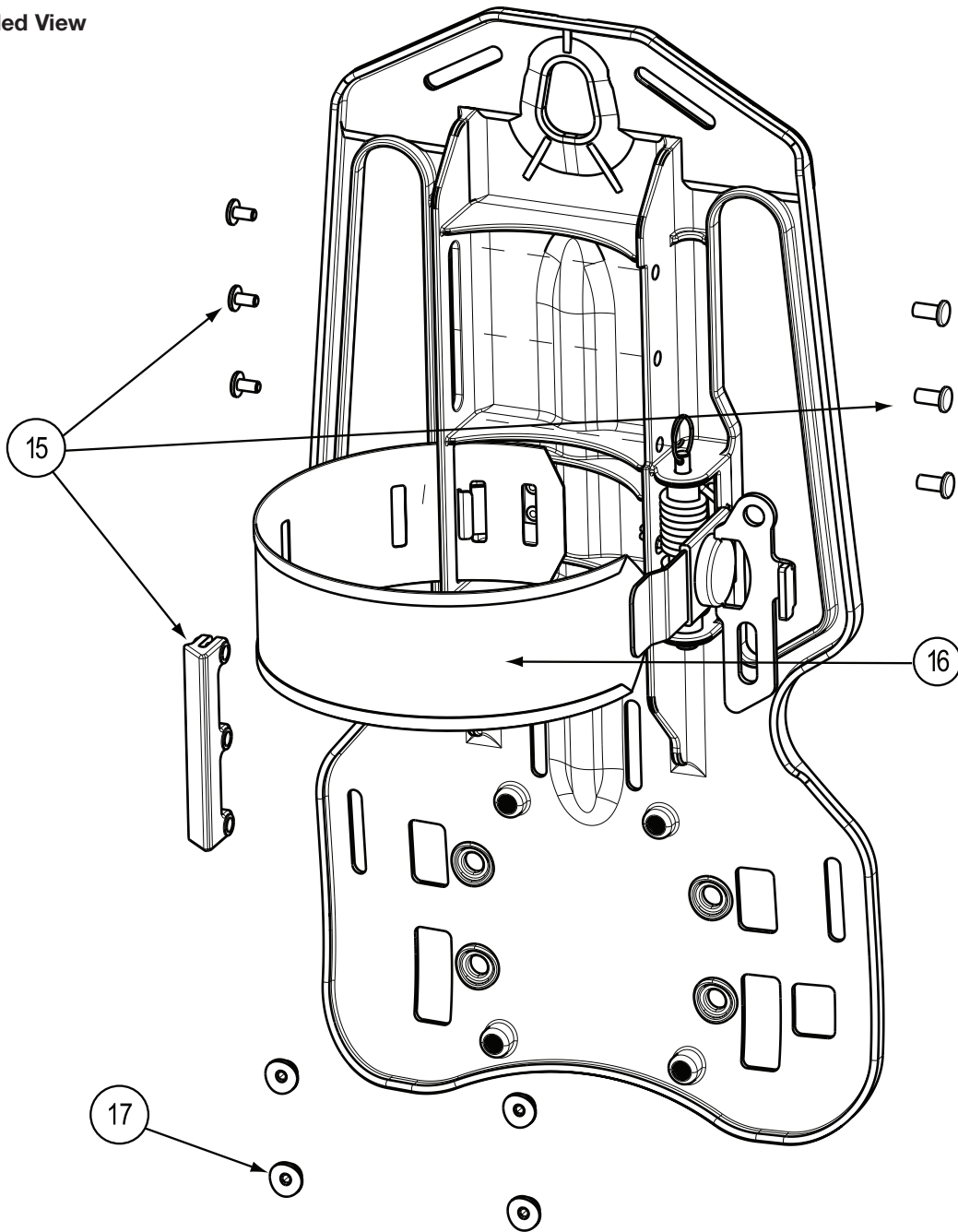
Item	P/N	Description
1	10086665	M7 Carrier & Harness w/ Chest Strap, 4500 psi
	10083129	M7 Carrier & Harness w/o Chest Strap, 4500 psi
	10086664	M7 Carrier & Harness w/ Chest Strap, 2216/3000 psi
	10083128	M7 Carrier & Harness w/o Chest Strap, 2216/3000 psi
	10086662	M7 Carrier & Harness w/ Chest Strap, Swiveling Lumbar, 4500 psi
	10086663	M7 Carrier & Harness w/ Chest Strap, Swiveling Lumbar, 2216/3000 psi
1a	10083436	M7 Backplate and Cylinder Band
2	10048173	Left Shoulder Strap
3	10102888	Right Shoulder Strap
4	10102886	Left Chest Strap
4a	10102861	Right Chest Strap
5	10102860	Left Double Pull Strap
6	10102859	Right Double Pull Strap
7	10016029	Tether
8	10022245	Belt Mount
9	10025941	Left Double Pull Belt
10	10102838	Right Double Pull Belt
11	10083134	Swiveling Lumbar Pad
12		M7 NIOSH Label
13		CBRN Label
14		M7 NFPA Label

FIREHAWK M7 CARRIER AND HARNESS

Replacement Kits and Parts List (cont)

Item	P/N	Description	
Cylinder Friction Pad Kit			
15	10086667	10084777	Binding Post (3 req.)
		10109434	Aluminum Screw (3 req.)
		10083222	Friction Pad
Cylinder Band Label			
16	805430	Cylinder Band Label 2216/3000 psi	
	805265	Cylinder Band Label 4500 psi	
Shock Mount Kit			
17	10090283	10083223	Shock Mounts (4 req.)

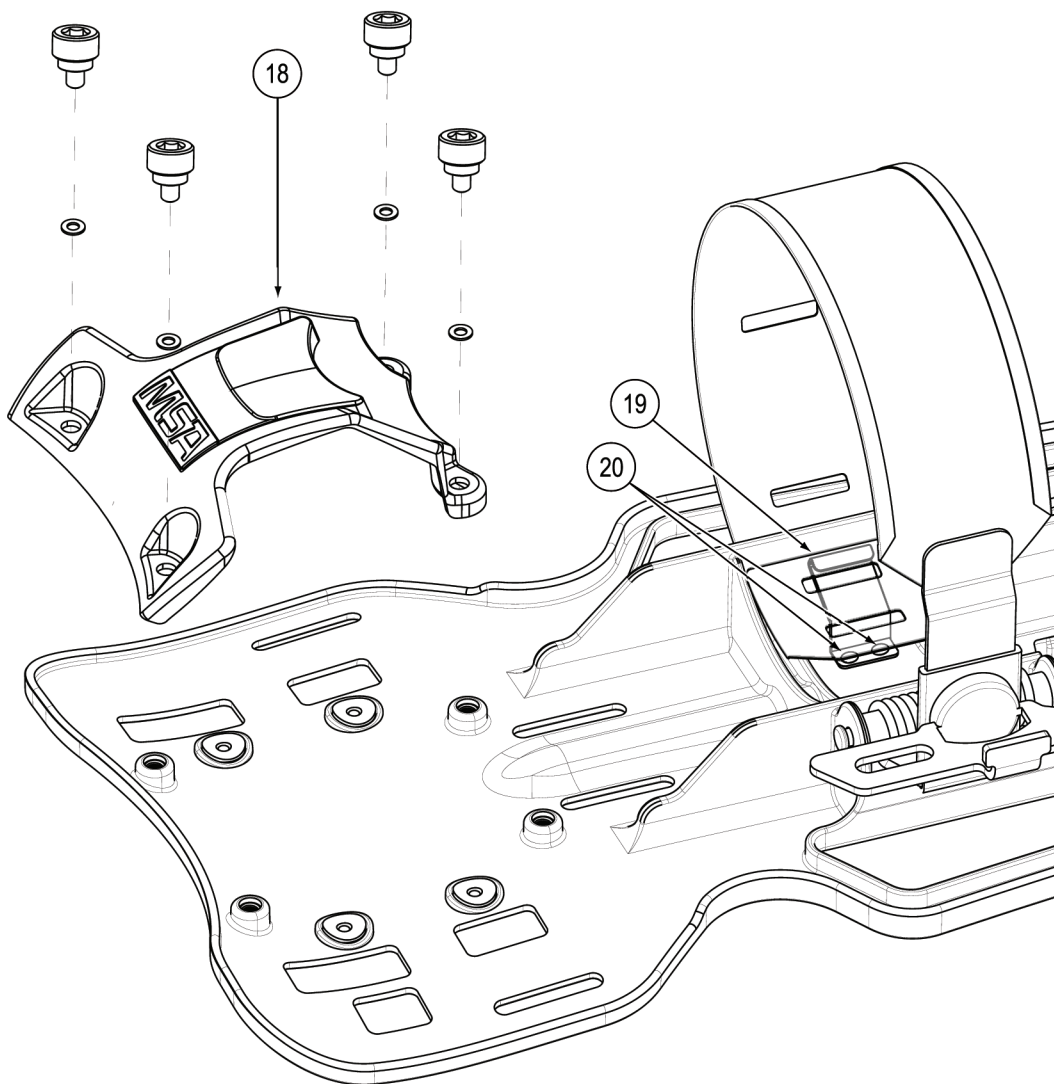
Exploded View



FIREHAWK M7 CARRIER AND HARNESS

Replacement Kits and Parts List (cont)

Item	P/N	Description
18	10086666	10083225 Cylinder Stop
		10084812 Screw (4 req.)
		10084815 Lock washer (4 req.)
19	10066867	Cylinder Band Adjuster
20	10058780	Rivet (2 req.)



FIREHAWK M7 CYLINDER AND VALVE

Cylinder and Valve Replacement Kits

P/N		Description
With air	Less air	
809872-SP	10033357-SP	3AL Aluminum, 45 cu ft.*
469619-SP	10033209-SP	Hoop-wound, 45 cu ft.
807586-SP	10033352-SP	L-30 Stealth Carbon-wrapped.
816115-SP	10033358-SP	L-30+ Stealth Carbon-wrapped, 60 cu ft.
10156423-SP	10156432-SP	H-30 Stealth Carbon-wrapped, 45 cu ft.
807570-SP	10033355-SP	H-45 Stealth Carbon-wrapped, 66 cu ft.
10156424-SP	10156433-SP	H-45 Low-Profile, Stealth Carbon-wrapped, 66 cu ft.
10156426-SP	10156435-SP	H-60 Stealth Carbon-wrapped, 88 cu ft.

Cylinder Replacement Kits

P/N	Description
814806	3AL Aluminum, 45 cu ft.*
811199	Hoop-wound, 45 cu ft.
816970	L-30 Stealth Carbon-wrapped.
816974	L-30+ Stealth Carbon-wrapped, 60 cu ft.
10145872	30', 45 SCF at 4500psi
816973	H-45 Stealth Carbon-wrapped, 66 cu ft.
10145873	45'LP, 66 SCF at 4500psi
10145874	60', 88 SCF at 4500psi

Cylinder Valve Replacement Kits

P/N	Description
488894	Cylinder Valve Assembly (2216 PSI)
494884	Cylinder Valve Assembly (3000 PSI)
488899	Cylinder Valve Assembly (4500 PSI)

*Contact MSA Customer Service (1-800-MSA-2222) for approval information before ordering.

2216 psi Cylinder Valve Overhaul Kit

Kit Part Number	P/N	Description
10150400	68542	O-ring
	482225	Burst Disc & Gasket, 2216 psi
	488858	Valve Insert Assembly
	488860	Valve Stem Washer
	635953	O-ring

3000 psi Cylinder Valve Overhaul Kit

Kit Part Number	P/N	Description
10150411	633550	O-ring
	494928	Burst Disc & Gasket, 3000 psi
	488858	Valve Insert Assembly
	488860	Valve Stem Washer
	635953	O-ring

4500 psi Cylinder Valve Overhaul Kit

Kit Part Number	P/N	Description
10150412	630926	O-ring
	482226	Burst Disc & Gasket, 4500 psi
	488858	Valve Insert Assembly
	488860	Valve Stem Washer
	635953	O-ring

FIREHAWK M7 CYLINDER AND VALVE

Parts list

Item	P/N	Description
1	-	Cylinder
2	80416	Cylinder Valve Inlet Tube
3	68542	O-Ring, 2216 psi
3a	633550	O-Ring, 3000 psi
3b	630926	O-Ring, 4500 psi
4	68550	Safety Plug, 2216 psi
4a	495636	Safety Plug, 3000 psi
4b	473254	Safety Plug, 4500 psi
5	482225	Disc and Gasket, 2216 psi
5a	494928	Disc and Gasket, 3000 psi
5b	482226	Disc and Gasket Kit, 4500 psi
6	488858	Valve Insert Assembly
7	488859	Valve Stem
8	488860	Valve Stem Washer
9	635953	O-Ring
10	488862	Packing Gland
11	83831	Spring
12	83731	Locknut
13	91728	Handwheel
14	94906	Protector Cap
15	488772	Valve Body, 2216 psi
15a	495743	Valve Body, 3000 psi
15b	488771	Valve Body, 4500 psi
16	95278	Air Pressure Gauge 2216/3000 psi
16	473250	Air Pressure Gauge, 4500 psi
17	801131	Gauge Guard
	604070	Lubricant
	600469	Loctite 290
	29787	Loctite 222
	600920	Snoop Leak Detector
	28907	Teflon Tape

FIREHAWK M7 AUDI-LARM AUDIBLE ALARM

Replacement and Maintenance Kits: 2216/4500 psi

Audi-Larm Audible Alarm Replacement Kit		
10037310	Audi-Larm Audible Alarm 2216 psi, complete	
10037312	Audi-Larm Audible Alarm 4500 psi, complete	
Maintenance Kit		
10045831	635953	Piston Bore O-Ring
	635954	Piston Nose O-Ring
	66395	Piston Plug O-Ring
	85055	Striker Spring
	85051	Striker
	85053	Pellet
	68523	Retaining Ring
Bell Replacement Kit		
10090907	485829	Bell
	54197	Lock Washer Lock
	635245	Screw (2)
Piston Replacement Kit		
10090908	635953	Piston Bore O-Ring
	635954	Piston Nose O-Ring
	66395	Piston Plug O-Ring
	85052	Piston Plug
	85049	Piston Assembly
Striker Replacement Kit		
10044574	85051	Striker
	85053	Pellet
Dust Cover Replacement Kit		
10090909	10038031	Dust Cover Assembly
	10037952	Screw
	10041962	Washer
Audi-Larm O-Ring Replacement Kit		
10052355-SP10	10052355	Nipple O-Ring Kit (pack of 10)

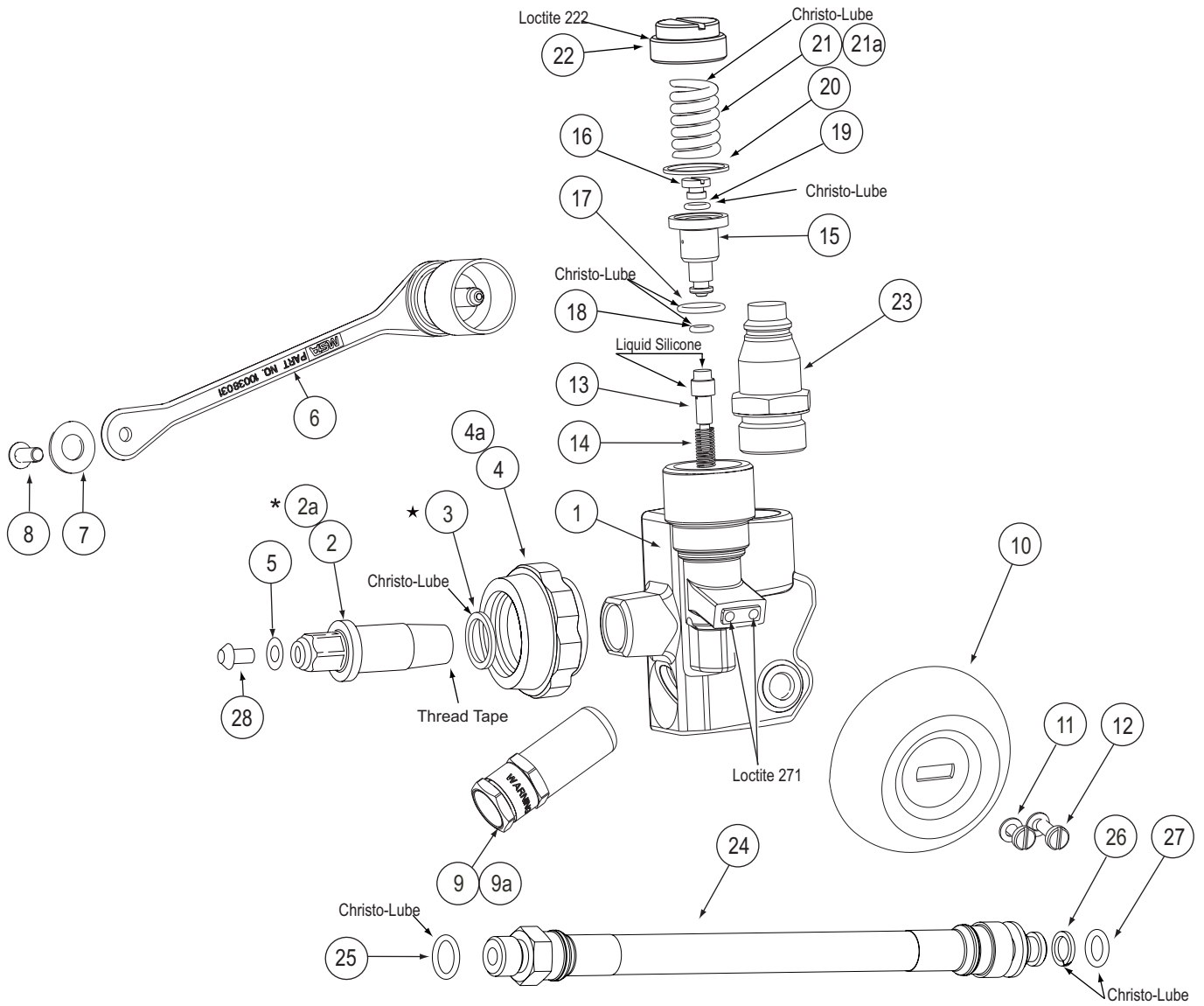
Parts List: 2216/4500 psi

Item	P/N	Description
1	10038417	Audi-Larm Body
2	10148231	Fitting, Nipple, 2216 psi
2a	10148232	Fitting, Nipple, 4500 psi
3	93031	Washer, CGA Nut
4	10120808	Coupling Nut, 2216 psi
4a	10120809	Coupling Nut, 4500 psi
5	10052355	Nipple O-Ring
6	10038031	Dust Cover Assembly
7	10041962	Washer
8	10037952	Screw
9	10036291	Pressure Relief Valve* 2216 psi
9a	10036292	Pressure Relief Valve* 4500 psi
10	485829	Bell
11	54197	Lock Washer (2)
12	635245	Screw, #8-32 x 7/16 LG (2)
13	10044574	Striker with Pellet
14	85055	Striker Spring
15	85049	Piston Assembly
16	85052	Piston Plug
17	635953	Piston Bore O-Ring
18	635954	Piston Nose O-Ring
19	66395	Piston Plug O-Ring
20	68523	Retaining Ring
21	455941	Spring, 2216 psi
21a	474352	Spring, 4500 psi
22	474369	Adjusting Nut
23	485070	URC Adapter with O-Ring
24	804382	High Pressure Hose*
25	635037	O-Ring
26	635278	Back-up ring
27	63198	O-Ring
28	10124808	Retaining Screw
	809028	Christo-Lube Lubricant (2 cc tube)
	28907	Teflon Tape
	29787	Loctite 222
	26875	Loctite 271
	494992	Liquid Silicone Lubricant

*Includes Back-Up and O-Rings as needed.

FIREHAWK M7 AUDI-LARM AUDIBLE ALARM

Exploded View 2216/4500 psig



FIREHAWK M7 AUDI-LARM AUDIBLE ALARM

Replacement and Maintenance Kits: 3000 psi

Audi-Larm Audible Alarm Replacement Kit		
10043947	Audi-Larm Audible Alarm 3000 psi, complete	
Maintenance Kits		
10045831	635953	Piston Bore O-Ring
	635954	Piston Nose O-Ring
	66395	Piston Plug O-Ring
	85055	Striker Spring
	85051	Striker
	85053	Pellet
	68523	Retaining Ring
Bell Replacement Kit		
10090907	485829	Bell
	54197	Washer, Lock, #8
	635245	Screw, #8-32 x 7/16 LG
Piston Replacement Kit		
10090908	635953	Piston Bore O-Ring
	635954	Piston Nose O-Ring
	66395	Piston Plug O-Ring
	85052	Plug, Piston
	85049	Piston Assembly
Striker Replacement Kit		
10044574	85051	Striker
	85053	Pellet
Dust Cover Replacement Kit		
10090909	10038031	Dust Cover Assembly
	10037952	Screw, 10-32 UNF, SST
	10041962	Washer, Flat, SST
Audi-Larm O-Ring Replacement Kit		
10052355-SP10	10052355	Nipple O-Ring Kit (pack of 10)

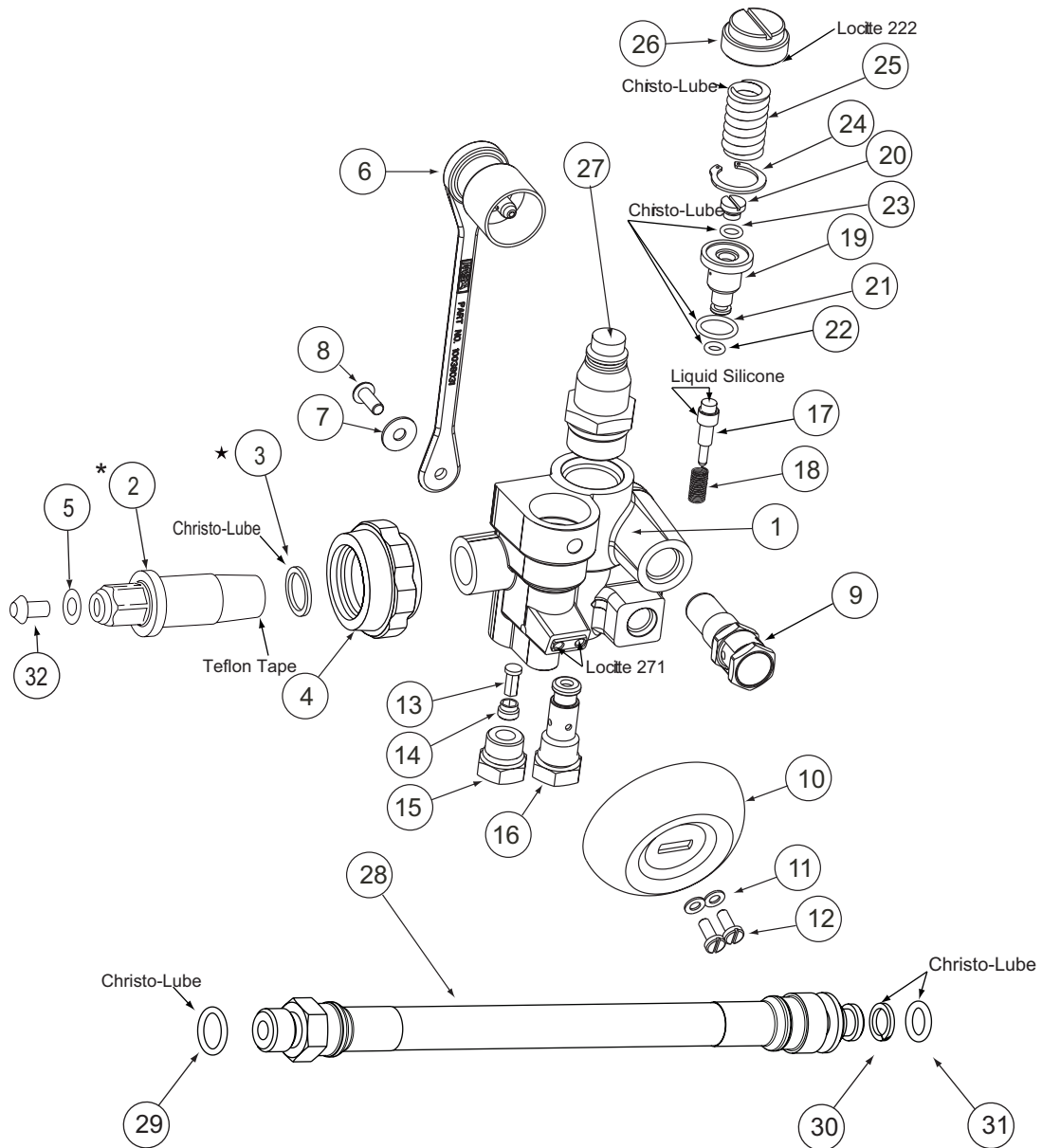
Parts List: 3000 psi

Item	P/N	Description
1	10045593	Audi-Larm Housing
2	10148231	Nipple
3	93031	Washer, CGA Nut
4	10120808	Coupling Nut,
5	10052355	Nipple O-Ring
6	10038031	Dust Cover Assembly
7	10041962	Washer, Flat, SST
8	10037952	Screw, 10-32 UNF, SST
9	10036291	Pressure Relief Valve*
10	485829	Bell
11	54197	Lock Washer (2)
12	635245	Screw, #8-32 x 7/16 LG (2)
13	476441	Sintered Filter
14	80495	Screen Holder
15	10043943	SAE Plug, Size 6 with O-Ring
16	10043945	Check Valve*
17	10044574	Striker with Pellet
18	85055	Striker Spring
19	85049	Piston Assembly
20	85052	Plug, Piston
21	635953	Piston Bore O-Ring
22	635954	Piston Nose O-Ring
23	66395	Piston Plug O-Ring
24	68523	Retaining Ring
25	474352	Spring
26	474369	Adjusting Nut
27	485070	URC Adapter with O-Ring
28	804382	High Pressure Hose*
29	635037	O-Ring
30	635278	Back-Up Ring
31	63198	O-Ring
32	10124808	Retaining Screw
	809028	Christo-Lube Lubricant (2 cc tube)
	28907	Teflon Tape
	29787	Loctite 222
	26875	Loctite 271
	494992	Liquid Silicone Lubricant

*Includes Back-Up and O-Rings as needed.

FIREHAWK M7 AUDI-LARM AUDIBLE ALARM

Exploded View 3000 psi



FIREHAWK M7 PR14 FIRST STAGE REGULATOR

Replacement Kits

PR14 First Stage Regulator Replacement Kit		
10053736	PR14 First Stage Regulator (Complete)	
PR14 First Stage Regulator Kit		
10065408	10050616	Seat
	633553	O-Ring (Bottom)
	10058236	O-Ring (Top)
	10050617	Piston
	10052365	O-Ring (2 Req'd)
	10052364	O-Ring
	10051663	Inlet Filter
	10052367	Inlet Filter O-Ring
	10053273	O-Ring (2 Req'd)
	63198	O-Ring (2 Req'd)
	635278	Back Up Ring (2 Req'd)
	10052622	Screw (2 in Kit)
	10055349	10047898
10055563		Screw (2 Req'd)
10014878		Flat Washer (2 Req'd)
631356		Lock Washer (2 Req'd)

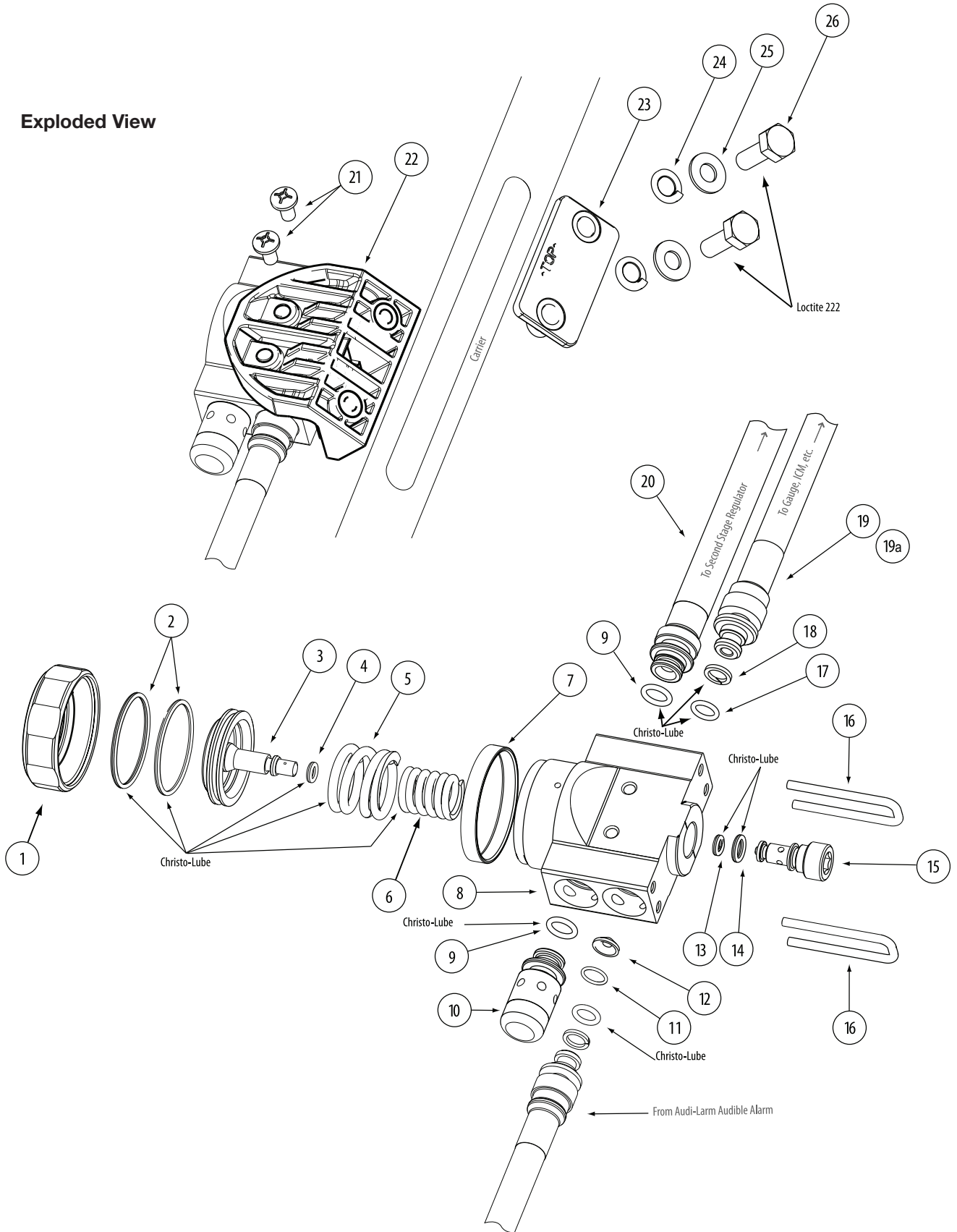
Parts List

Item	P/N	Description
1	10050623	Regulator Cap
2	10052365	O-Ring (2 Req'd)
3	10050617	Piston
4	10052364	O-Ring
5	10050620	Outer Spring
6	10050621	Inner Spring
7	10052621	Seal Ring
8	10050615	Regulator Body
9	10053273	O-Ring
10	10053426	Pressure Relief Valve*
11	10052367	Inlet Filter O-Ring
12	10051663	Inlet Filter
13	10058236	O-Ring (Top)
14	633553	O-Ring (Bottom)
15	10050616	Seat
16	10050622	U-Clip (2 Req'd)
17	63198	O-Ring (2 Req'd)
18	635278	Back Up Ring (2 Req'd)
19	10082852	High Pressure Hose*
19a	10083121	High Pressure Hose for Quick-Fill*
20	10051882	Intermediate Pressure Hose, Threaded*
	10051883	Intermediate Pressure Hose, Quick-Connect*
	10051884	Intermediate Pressure Hose, ExtendAire™ System*
20a	10082526	FireHawk M7 Responder Intermediate Pressure Hose Assembly
21	10052622	Screw (2 Req'd)
22	10051664	Mounting Bracket
23	10047898	Slider
24	631356	Lock Washer (2 Req'd)
25	10014878	Washer (2 Req'd)
26	10055563	Bolt (2 Req'd)
	29787	Loctite 222
	604070	Christo-Lube
	600920	Leak Detector
	10069386	PR14 Test Bracket

* Includes Back-Up and/or O-Rings as needed.

FIREHAWK M7 PR14 FIRST STAGE REGULATOR

Exploded View



FIREHAWK M7 SECOND STAGE REGULATOR

Replacement and Overhaul Kits

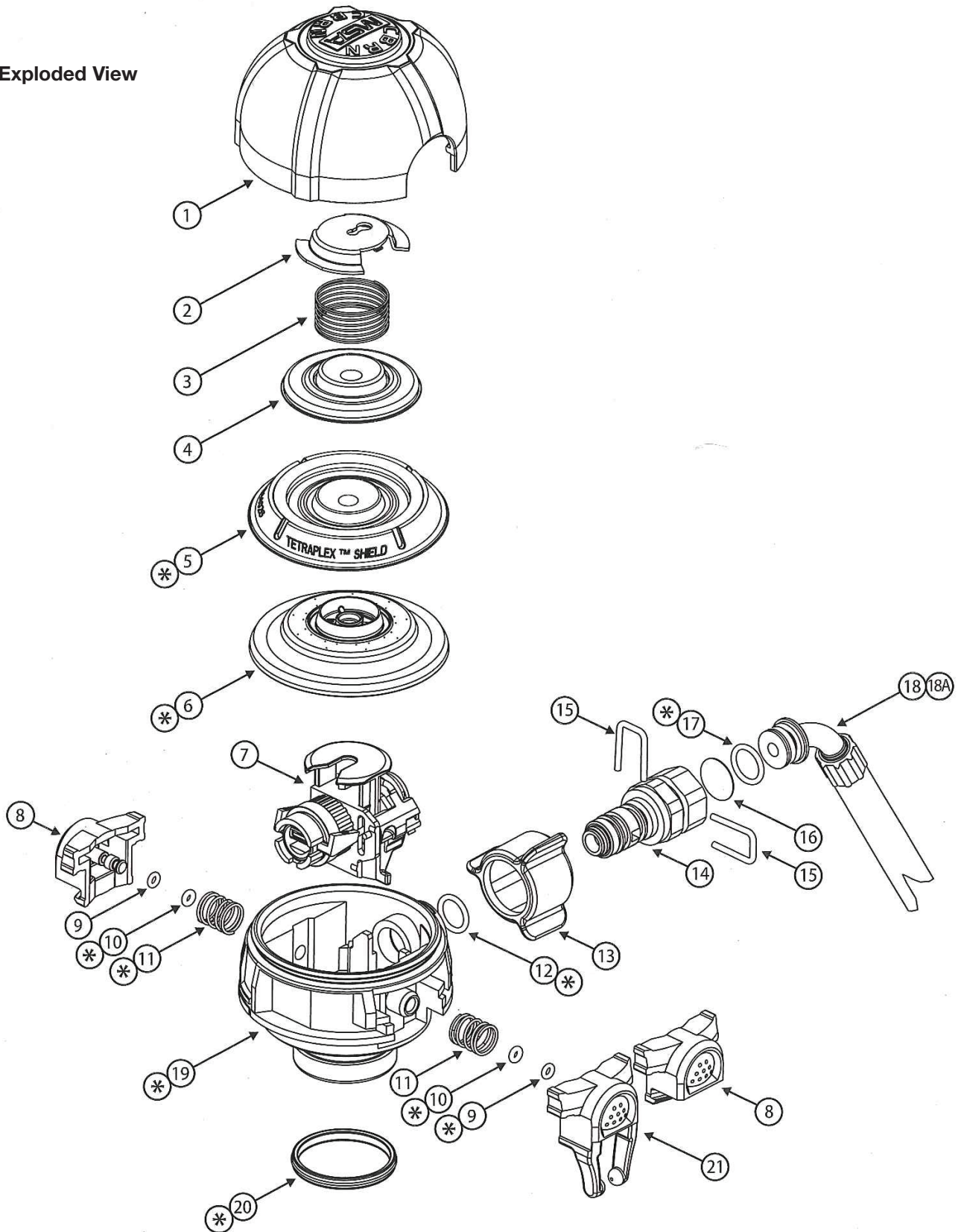
P/N	Description	
Firehawk M7 Second Stage Regulator Replacement Kits		
10087305	10087295	Valve Assembly
	10087301	Housing Assembly
10087295	Valve Assembly	
10087301	Housing Assembly	
Firehawk M7 Second Stage Regulator Overhaul Kits		
10048942	10023509	O-Ring (2)
	10037951	O-Ring (2)
	697453	O-Ring, Silicone, Red
	634669	O-Ring
	63198	O-Ring
	10020784	Screen
	10047528	Cap, Spring
	10044026	Shield, CBRN
	10031192	Ring, Seal
	10039172	Diaphragm Assy.
10091435	809028	Lubricant, Christo-Lube
	10047528	Cap, Spring
10091436	10044026	Shield, CBRN
	10031192	Seal Ring (Pack of 10)
10091437	10023509	O-Ring (Pack of 10)
10091438	10037951	O-Ring (Pack of 10)
10091440	697453	O-Ring, Silicone, Red (Pack of 10)
10091461	634669	O-Ring (Pack of 10)
10100035	10092041	Spring, CBRN (Pack of 28)
10100036	10020931	Spring, PD (Pack of 28)
Height Gauge Kits		
10090457	10090457	Height Gauge for PN 10087295 w/ instructions
10050211	10050146	Height Gauge for PN 10030664 w/ instructions

Parts List

Item	PN	Description	Regulator Assembly							
			10043892	10043893	10043894	10043895	10047529	10047600	10047601	10047602
1	10047441	Cover, Purge	•	•	•	•				
	10047664	Cover, Non Purge					•	•	•	•
2	10018622	Retainer, Spring (not req'd w/ Solid Cover)	•	•	•	•				
3	10092041	Spring, Diaphragm	•	•	•	•	•	•	•	•
4	10047528	Cap, Spring	•	•	•	•	•	•	•	•
5	10044026	Shield, CBRN	•	•	•	•	•	•	•	•
6	10039172	Diaphragm, CBRN	•	•	•	•	•	•	•	•
7	10087295	Valve Assembly	•	•	•	•	•	•	•	•
8	10047238	Button, Push to-Connect	•	•	•	•	•	•	•	•
9	10023509	O-Ring (2 Required)	•	•	•	•	•	•	•	•
10	10037951	O-Ring (2 Required)	•	•	•	•	•	•	•	•
11	10018965	Spring, Button	•	•	•	•	•	•	•	•
12	697453	O-Ring, Silicone, Red	•	•	•	•	•	•	•	•
13	10018774	Knob, Bypass	•	•	•	•	•	•	•	•
15	10018547	U-Clip (2 Required)	•	•	•	•	•	•	•	•
16	10020784	Screen, Bypass	•	•	•	•	•	•	•	•
17	634669	O-Ring								
18	10039171	Hose, Threaded	•		•				•	•
18a	10046484	Hose, Quick-Connect		•		•	•	•		
19	10087301	Housing Assembly	•	•	•	•	•	•	•	•
20	10031192	Seal Ring	•	•	•	•	•	•	•	•
21	10047331	Button, Slide-to-Connect	•	•				•		•
	604070	Christo-Lube Lubricant	•	•	•	•	•	•	•	•

FIREHAWK M7 SECOND STAGE REGULATOR

Exploded View



FIREHAWK RESPONDER SECOND STAGE REGULATOR

Replacement Kits and Overhaul Kit

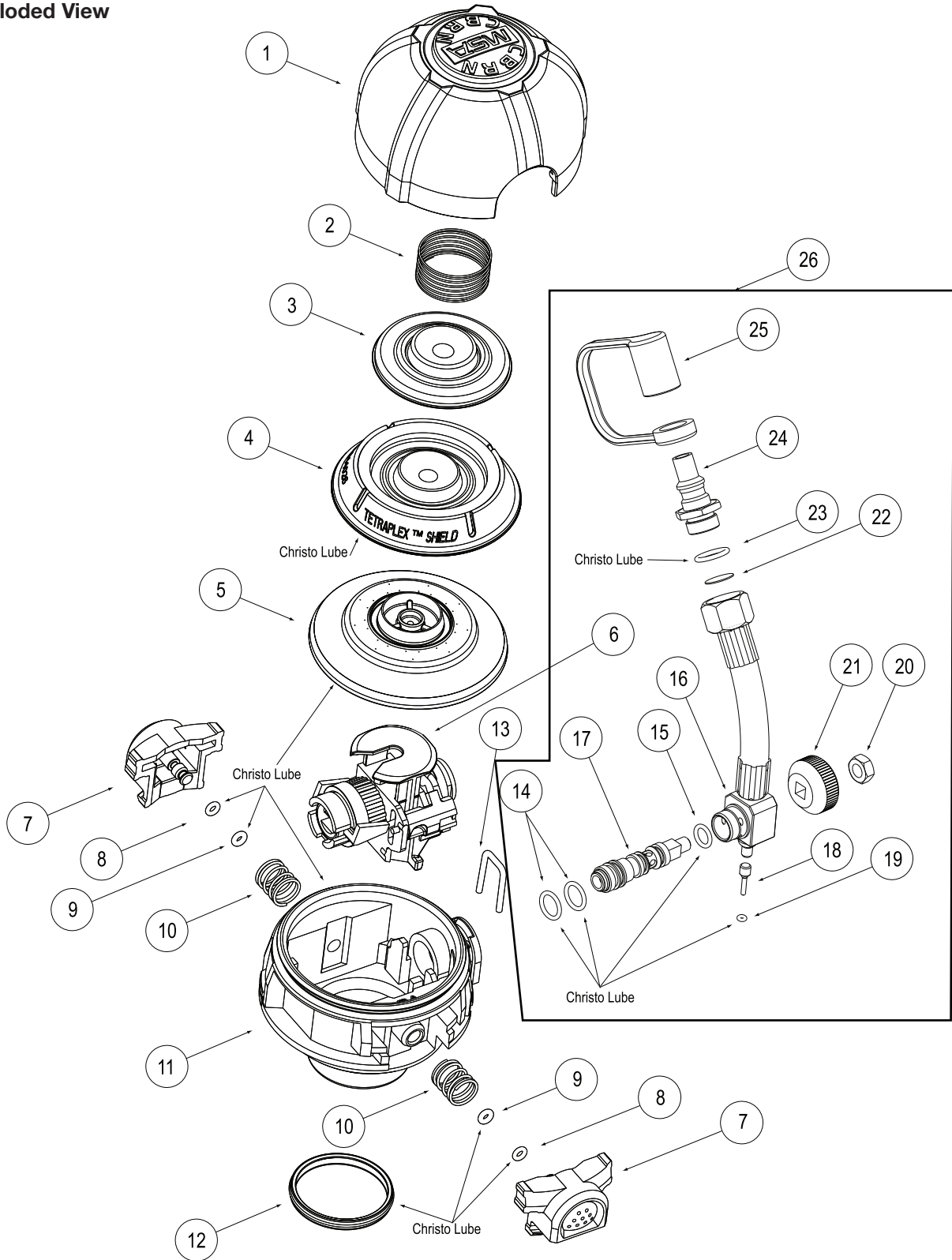
P/N	Description	
Firehawk Responder Second Stage Regulator Replacement Kits		
10082527	Firehawk Responder Regulator	
10093810	10087295	Valve Assembly
	10087301	Housing Assembly
	10092041	Diaphragm Spring
	10037951	O-ring (2)
	10023509	O-ring (2)
10087295	10087295	Valve Assembly
10093809	10087301	Housing Assembly
	10037951	O-ring (2)
	10023509	O-ring (2)
10091435	10047528	Spring Cap
	10044026	CBRN Shield
10093946	10082481	Bypass Knob
10093950	10082486	Nut (Pack of 5)
10094014	10082489	Bypass Assembly
10093948	10082484	Bypass Insert Assembly
10093947	10082482	Bypass Stem (Pack of 5)
10018547	10018547	U-Clip
10093949	10082485	Bypass Screen (Pack of 5)
10091436	10031192	Regulator Outlet O-Ring (Pack of 10)
10091439	10018965	Spring, Button (Pack of 10)
10094012	10082487	O-Ring (Pack of 10)
10094013	10082488	O-Ring (Pack of 10)
10091461	634669	O-Ring (Pack of 10)
Height Gauge Kit		
10090457	10090457	Height Gauge for P/N 10087295
Firehawk Responder Second Stage Regulator Overhaul Kit		
10097667	10092041	Diaphragm Spring
	10047528	Spring Cap
	10044026	CBRN Shield
	10039172	CBRN Diaphragm
	10023509	O-Ring (2 Required)
	10037951	O-Ring (2 Required)
	10031192	Seal Ring
	10082487	O-Ring (2 Required)
	697453	O-Ring
	10082488	Bypass Stem O-Ring
	10082485	Bypass Screen
632736	O-Ring	

Parts List

Item	P/N	Description
1	10047664	Cover
2	10092041	Diaphragm Spring
3	10047528	Spring Cap
4	10044026	Tetraplex CBRN Shield
5	10039172	CBRN Diaphragm
6	10087295	Valve Assembly
7	10047238	Button (2 Required)
8	10023509	O-Ring (2 Required)
9	10037951	O-Ring (2 Required)
10	10018965	Spring, Button (2 Required)
11	10087301	Housing Assembly
12	10031192	Seal Ring
13	10018547	U-Clip
14	10082487	O-Ring (2 Required)
15	697453	O-Ring
16	10111834	Bypass Housing
17	10082484	Bypass Insert
18	10082842	Bypass Stem
19	10082488	Bypass Stem O-Ring
20	10082486	Bypass Nut
21	10082481	Bypass Knob
22	10082485	Bypass Screen
23	632736	O-Ring
24	637945	Nipple
25	813035	Dust Cover
	604070	Christo-Lube Lubricant
26	10082489	Bypass Assembly

FIREHAWK RESPONDER SECOND STAGE REGULATOR

Exploded View



FIREHAWK M7 ULTRA ELITE FACEPIECE

Replacement Kits

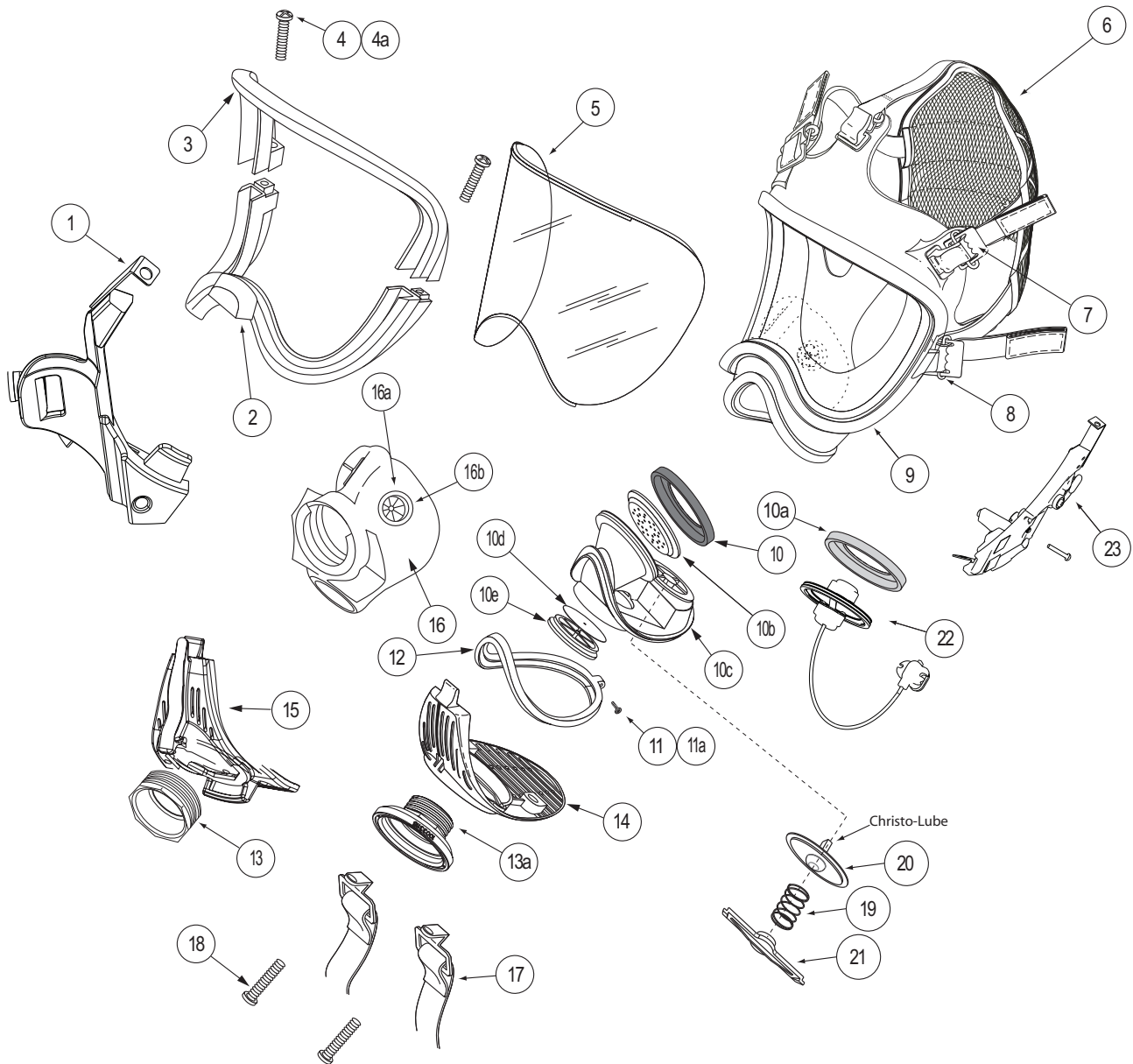
FireHawk M7 Ultra Elite Facepiece (complete)		
	P/N	Description
Push to Connect	10084690	Small
	10084822	Small, ClearCommand® Communication System-ready
	10084824	Medium
	10084826	Medium, ClearCommand Communication System-ready
	10084828	Large
Slide to Connect	10084830	Large, ClearCommand Communication System-ready
	10084689	Small
	10084821	Small, ClearCommand Communication System-ready
	10084823	Medium
	10084825	Medium, ClearCommand Communication System-ready
	10084827	Large
	10084829	Large, ClearCommand Communication System-ready
Component Housing Assembly (Complete)		
815604	804808	Speaking Diaphragm Retainer
	804809	Speaking Diaphragm
	815605	Component Housing w/ Exhalation valve
	804813	Inlet Valve Disc
	805011	Valve Spider
Exhalation Valve Retaining Bar Kit		
818107	490133	Spring
	490128	Spring Retainer
Nosecup Assembly (with valves)		
491121	Small/Medium	
491123	Medium	

Parts List

Item	P/N	Description
1	10083133	HUD Bracket
2	804805	Lower Lens Ring
3	804804	Upper Lens Ring
4	636955	Screw (2 Req'd)
4a	804806	Screw Kit (2 Req'd)
5	805020	Lens Super Hardcoat
6	10031102	Speed-ON® Harness Assembly
7	494297	Buckles (3 Req'd.)
8	804807	Buckle Assembly with D-Ring (2 Req'd.)
9	10048814	Hycar™ Facepiece Blank (Small)
	10048813	Hycar Facepiece Blank (Medium)
	10048815	Hycar Facepiece Blank (Large)
10	804808	Speaking Diaphragm Retainer
10a	10023505	Voicemitter, Retainer
10b	804809	Speaking Diaphragm
10c	815605	Component Housing with Exhalation valve
10d	804813	Inlet Valve Disc
10e	805011	Valve Spider
11	636956	Screw
11a	804812	Screw Kit
12	804811	Component Housing Ring
13	10018621	Slide-To-Connect Adapter
13a	10033115	Push-To-Connect Adapter
14	489224	Component Housing Cover (Push-to-Connect)
15	10034500	Component Housing Cover (Slide-to-Connect)
16	491121	Nosecup Assembly w/ valves, Small/Medium
	491123	Nosecup Assembly w/ valves, Large
16a	804822	Valve Seat (2 Req'd.)
16b	804823	Valve Disc (2 Req'd.)
17	804829	Neck strap
18	637070	Screw (2 Req'd.)
19	490133	Spring
20	814459	Exhalation Valve
21	490128	Spring Retainer
22	10024076	ClearCommand Communication System Microphone
23	10057484	ClearCommand Communication System Mounting Bracket
	600920	Snoop Leak Detector

FIREHAWK M7 ULTRA ELITE FACEPIECE

Exploded View



FIREHAWK ULTRA ELITE RESPONDER FACEPIECE

Replacement Kits

	P/N	Description
Ultra Elite Responder Facepiece	10093924	Small
	10093923	Medium
	10093925	Large
	10093927	Small, CC-ready*
	10093926	Medium, CC-ready*
	10093928	Large, CC-ready*
	10093930	Small, w/ UID
	10093929	Medium, w/ UID
	10093931	Large, w/ UID
	10094029	Small, UID, CC-ready*
	10094028	Medium, w/ UID, CC-ready*
	10094030	Large, w/ UID, CC-ready*
	10093935	304746
304749		Drinking Tube Coupling
10030789	10025295	Lens Receptacle Inhalation Valve Disc (Pack of 6)
10093945	10082500	#6 x 32 Nut (Pack of 10)
	10093937	Internal Drinking Tube
	10093919	Lens Plug (Pack of 5)
	10093920	Component Housing Cover
	10093921	Nosecup, Medium
	10093922	Nosecup, Large
	10093932	Lens Cover Label (Pack of 10)
	10093933	Lens Assembly
	10030789	Lens Receptacle Inhalation Valve Disc (Pack of 6)
	10093934	Cover Assembly
	10093936	Component Housing Assembly, CC-ready*
	10093938	Component Housing Assembly
	10024076	ClearCommand Communication System Microphone
	10024077	ClearCommand Communication System Mounting Bracket
	10093945	#6 – 32 Nut (Pack of 10)
	10093939	Pneumatic Nut (Pack of 5)
	10093940	Pneumatic Assembly
	10093941	Pneumatic Piston
	10093942	Pneumatic Spring (Pack of 5)
	10093943	Pneumatic Retainer (Pack of 5)
	10093944	Silicone O-Ring (Pack of 20)
	10086032	Pneumatic Nut Special Tool

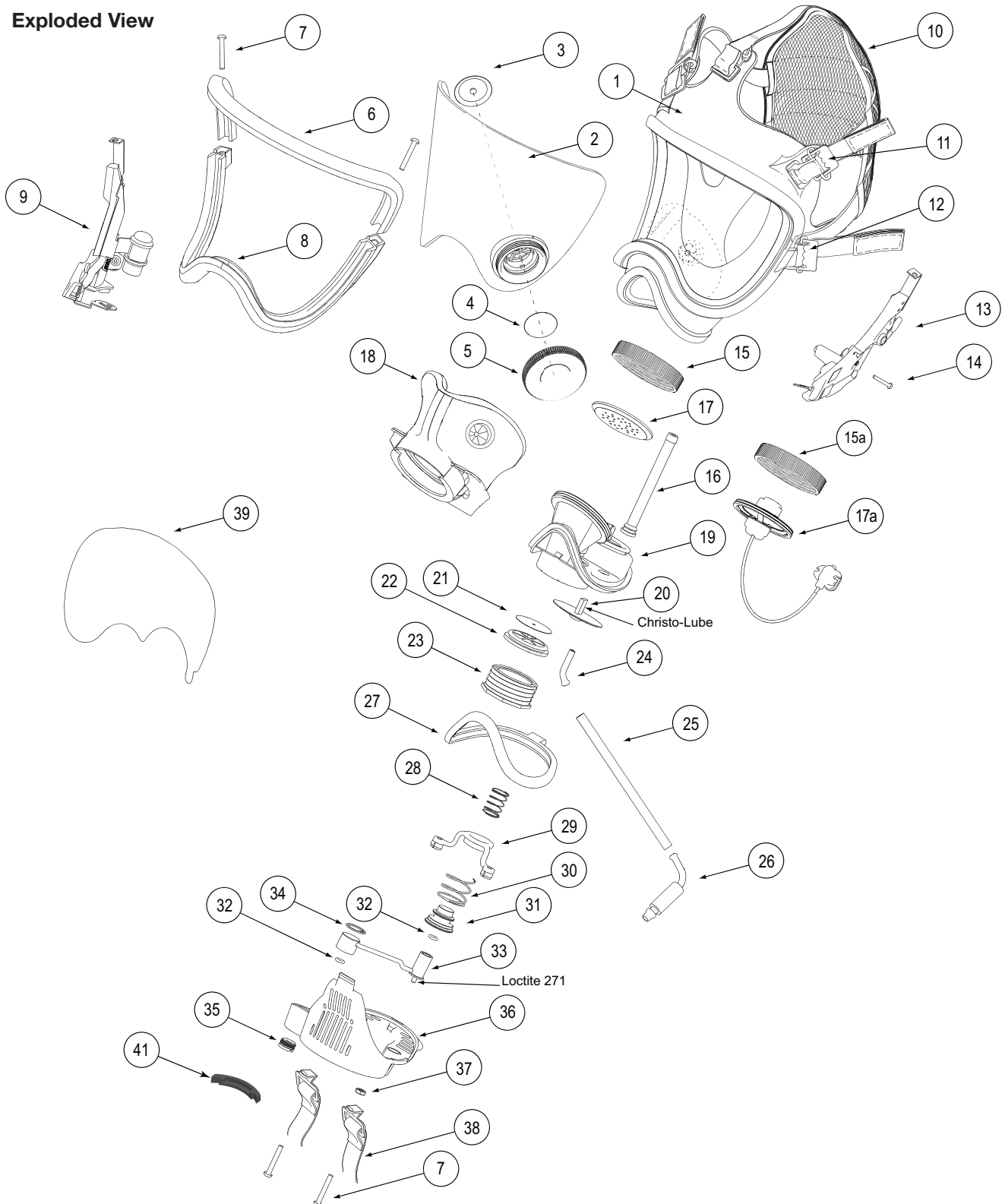
* Includes ClearCommand Communication System Microphone

Parts List

Item	P/N	Description
1	-	Ultra Elite Responder Facepiece
2	10082479	Lens Assembly
3	10025295	Lens Receptacle Inhalation Valve Disc
4	10082477	O-Ring
5	10082476	Lens Port Plug
6	489203	Upper Lens Ring
7	10082500	Screw
8	491139	Lower Lens Ring
9	10083133	HUD Bracket
10	10031102	Speed-ON® Harness Assembly
11	494297	Buckles (3 Req'd.)
12	494298	Buckle Assembly with D-Ring (2 Req'd.)
13	10057484	ClearCommand Communication System Mounting Bracket
14	10025381	Screw
15	490130	Black Speaking Diaphragm Retainer
15a	10023505	Gray Speaking Diaphragm Retainer (ClearCommand Communication System)
16	10082544	Internal Drinking Tube
17	495272	Speaking Diaphragm
17a	10024076	ClearCommand Communication System Microphone
18	10082529	Nosecup, Medium
	10082531	Nosecup, Large
19	10082545	Component Housing
20	490121	Stem
	490132	Exhalation Valve
21	491933	Inhalation Valve Disc
22	490134	Valve Spider
23	10018621	Adapter Assembly
24	10082503	Drinking Tube Connector
25	304746	External Drinking Tube
26	304749	Drinking Tube Coupling
27	804693	Component Housing Ring
28	490133	Exhalation Valve Spring
29	10082498	Pneumatic Retainer
30	10082497	Pneumatic Spring
31	10082496	Pneumatic Piston
32	10082499	O-Ring
33	10082495	Pneumatic Assembly
34	10082508	Retaining Ring
35	10082494	Pneumatic Nut
36	10082490	Component Housing Cover
	10082501	Component Housing Cover w/ UID
	10095019	Component Housing Cover
37	10082500	#6 x 32 Nut
38	804696	Neck strap
39	10082547	Lens Cover Label
	604070	Christo-Lube
	10086032	Pneumatic Nut Special Tool
40	10034748	Screws
41	10117878	Debris Plug

FIREHAWK ULTRA ELITE RESPONDER FACEPIECE

Exploded View



FIREHAWK M7 CONTROL MODULE

Replacement Kits

FireHawk M7 Control Module Protective Boot Kit*		
10089272	Control Module Protective Boot Kit, w/ buttons	
FireHawk M7 Control Module Gauge & LCD Lens Covers		
10090220	Control Module Gauge & LCD Lens Covers, pack of 5 each	
FireHawk M7 Control Module Back-Up Ring Kit		
10090961	635277	pack of 10
FireHawk M7 Control Module O-Ring Kit		
10090962	638167	pack of 10
Jam Nut		
10090219	10003606	pack of 5

* For Control Modules without Quick-Fill® System only.

Parts List

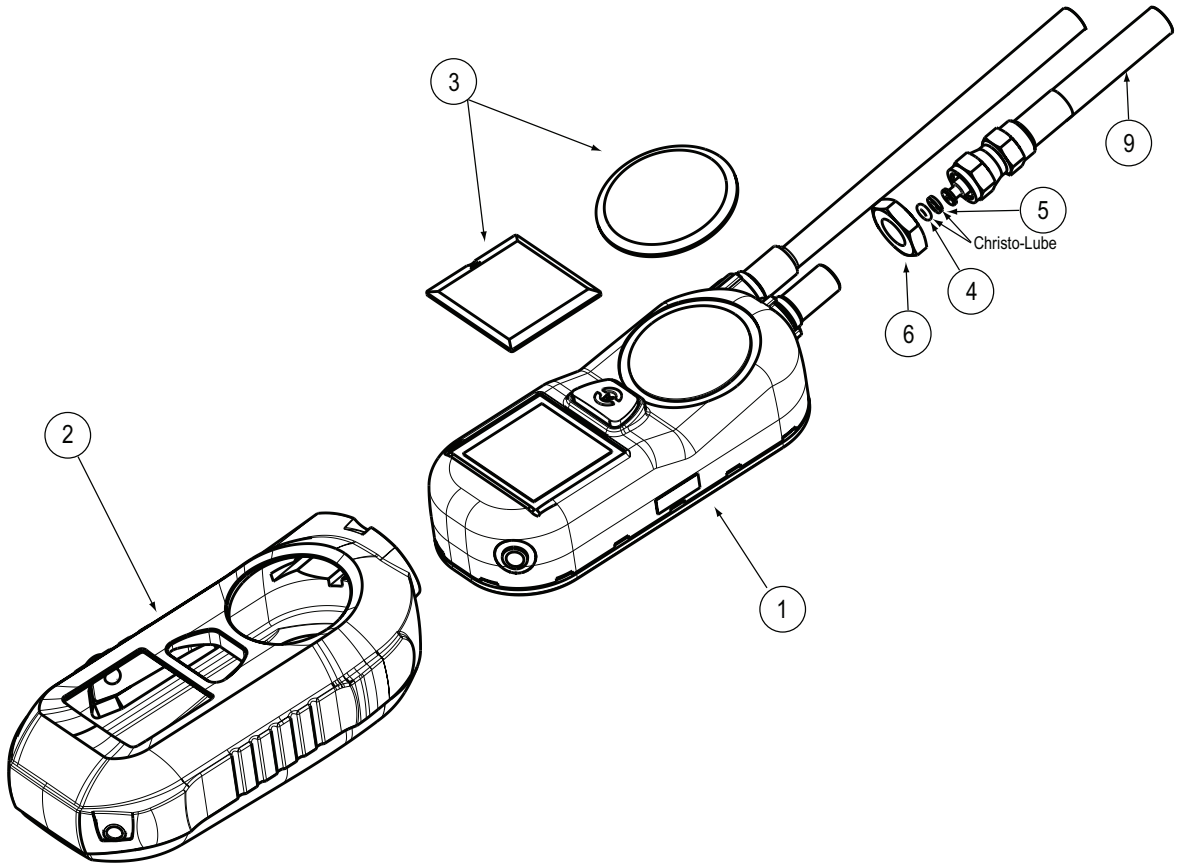
	Item	P/N	Description
Without Quick-Fill System	1	10091146	2216 psi w/ Thermistor*
		10091147	2216 psi*
		10091148	2216 psi w/Thermistor & Telemetry*
		10091149	2216 psi w/Telemetry*
		10091150	3000 psi w/Thermistor *
		10091201	3000 psi*
		10091202	3000 psi w/Thermistor & Telemetry*
		10091203	3000 psi w/Telemetry*
		10091204	4500 psi w/Thermistor*
		10091205	4500 psi*
		10091206	4500 psi w/Thermistor & Telemetry*
		10091207	4500 psi w/Telemetry*
	2	10089272	Control Module Protective Boot Kit, with buttons
	3	10090220	Control Module Gauge & LCD Lens Covers
4	638167	O-Ring	
5	635277	Back-up Ring	
6	10003606	Jam nut	
9	10082852	High Pressure Hose	
Both	10016029	Tether	
With Quick-Fill System	7	10091208	2216 psi w/Thermistor*
		10091209	2216 psi*
		10091210	2216 psi w/Thermistor & Telemetry*
		10091211	2216 psi w/Telemetry*
		10091212	4500 psi w/Thermistor*
		10091213	4500 psi*
		10091214	4500 psi w/Thermistor & Telemetry *
	10091215	4500 psi w/Telemetry*	
	3	10090220	Control Module Gauge & LCD Lens Covers
	4	638167	O-Ring
5	635277	Back-up Ring	
8	801164	Dust Cover	
10	10083121	High Pressure Hose for Quick-Fill	

* Includes Back-up Ring (PN 635277), O-Ring (PN 638167), O-Ring (PN 10089273), and Tether (PN 10016029)

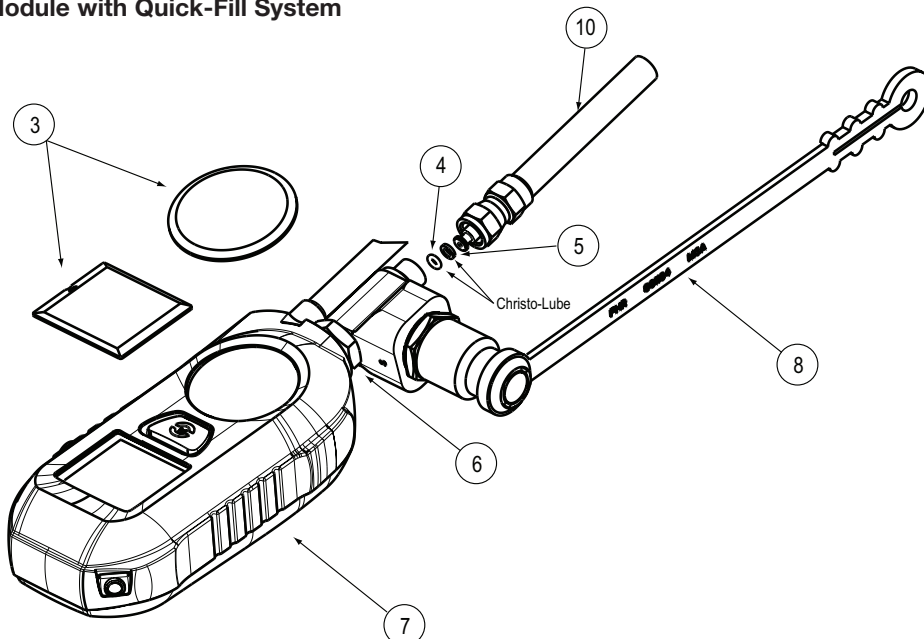
FIREHAWK M7 CONTROL MODULE

Exploded Views

FireHawk M7 Control Module without Quick-Fill System



FireHawk M7 Control Module with Quick-Fill System



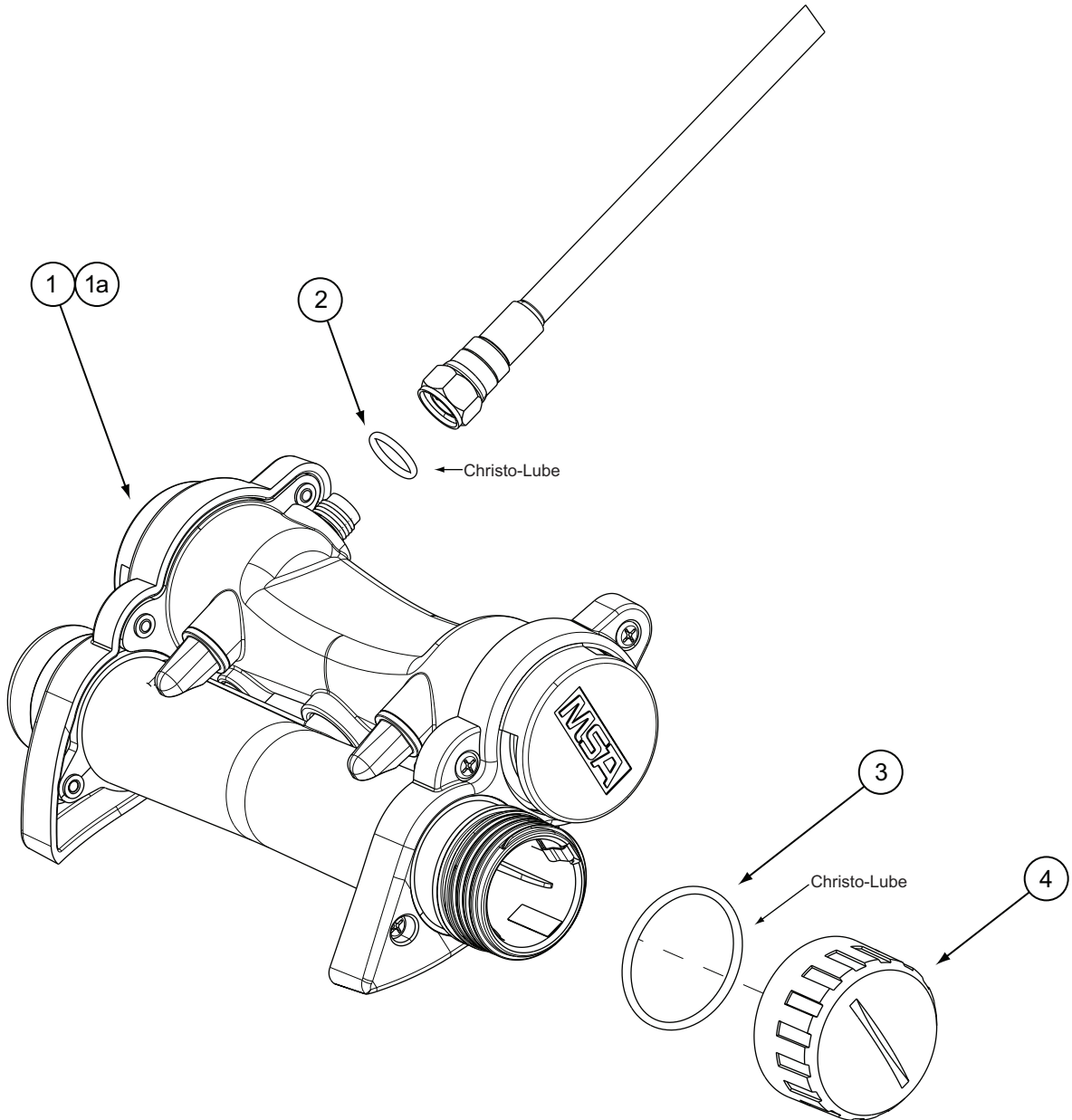
FIREHAWK M7 POWER MODULE

FireHawk M7 Power Module Replacement Kits and Parts List

M7 Power Module w/o Telemetry			
1	10091448	10089273	Cable O-Ring
		10084774	Battery Tube O-Ring
		10083243	Power Module Assembly
		10083223	Shock Mounts (4 req'd.)
		10086579	C-Size Batteries (4 req'd.)
M7 Power Module w/ Telemetry			
1a	10091378	10089273	Cable O-Ring
		10084774	Battery Tube O-Ring
		10083242	Power Module Assembly
		10083223	Shock Mounts (4 req'd.)
		10086579	C-Size Batteries (4 req'd.)
Item	PN	Description	
2	10090281	10089273	Cable O-Ring (pack of 10)
3	10090282	10084774	Battery Tube O-Ring (pack of 10)
4	10083236	Battery Cap	
	604070	Christo-Lube Lubricant	

FIREHAWK M7 POWER MODULE

Exploded View



FIREHAWK M7 HUD (HEADS UP DISPLAY)

FireHawk M7 HUD Replacement Kits

FireHawk M7 HUD Mounting Bracket		
10083233	10083133	Mounting Bracket
FireHawk M7 HUD O-Ring Kit		
10090218	10084773	O-Ring (Pack of 10)
FireHawk M7 HUD Assembly w/o mounting bracket		
10091446	10084773	O-Ring
	10083132	HUD Assembly
	10087292	Warning tag
	10086580	Battery
FireHawk M7 HUD Assembly w/ mounting bracket		
10091447	10083133	Mounting Bracket
	10084773	O-Ring
	10083132	HUD Assembly
	10087292	Warning tag
	10086580	Battery

M7 Responder HUD Replacement Kits

M7 Responder HUD Mounting Bracket		
10095324	10082552	Mounting Bracket
M7 Responder HUD O-Ring Kit		
10090218	10084773	O-Ring (Pack of 10)
M7 Responder HUD Assembly w/o mounting bracket		
10093911	10084773	O-Ring
	10086013	HUD Assembly
	10087292	Warning tag
	10086580	Battery
M7 Responder HUD Assembly w/ mounting bracket		
10093912	10082552	Mounting Bracket
	10084773	O-Ring
	10086013	HUD Assembly
	10087292	Warning tag
	10086580	Battery

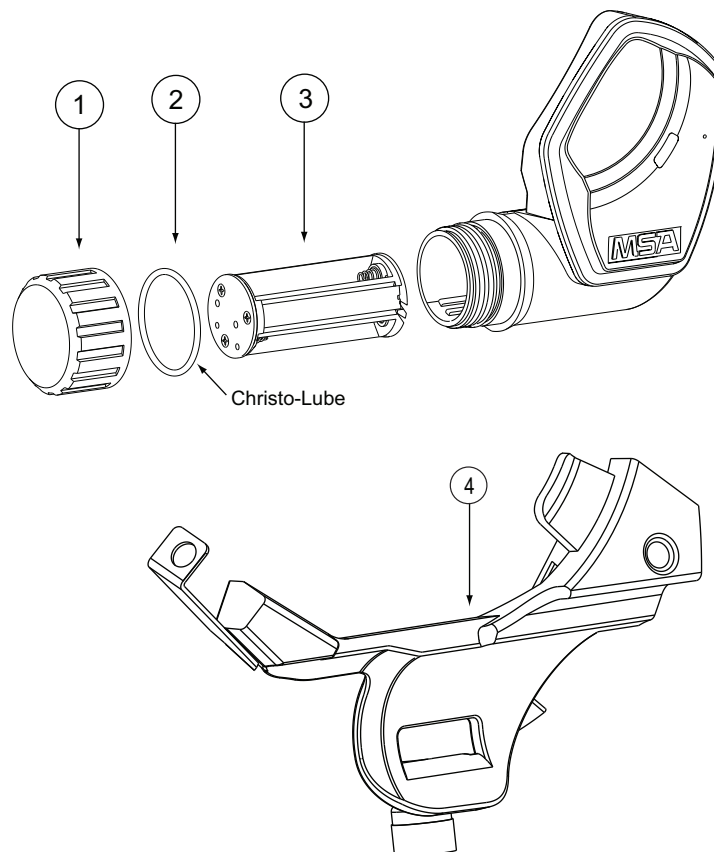
FireHawk M7 HUD Parts List

Item	P/N	Description
1	10081783	Battery Cap
2	10084773	O-ring
3	10083232	Battery Cartridge
4	10083133	Mounting Bracket

M7 Responder HUD Parts List

Item	P/N	Description
1	10081783	Battery Cap
2	10084773	O-ring
3	10083232	Battery Cartridge
4	10082552	Mounting Bracket

Exploded View



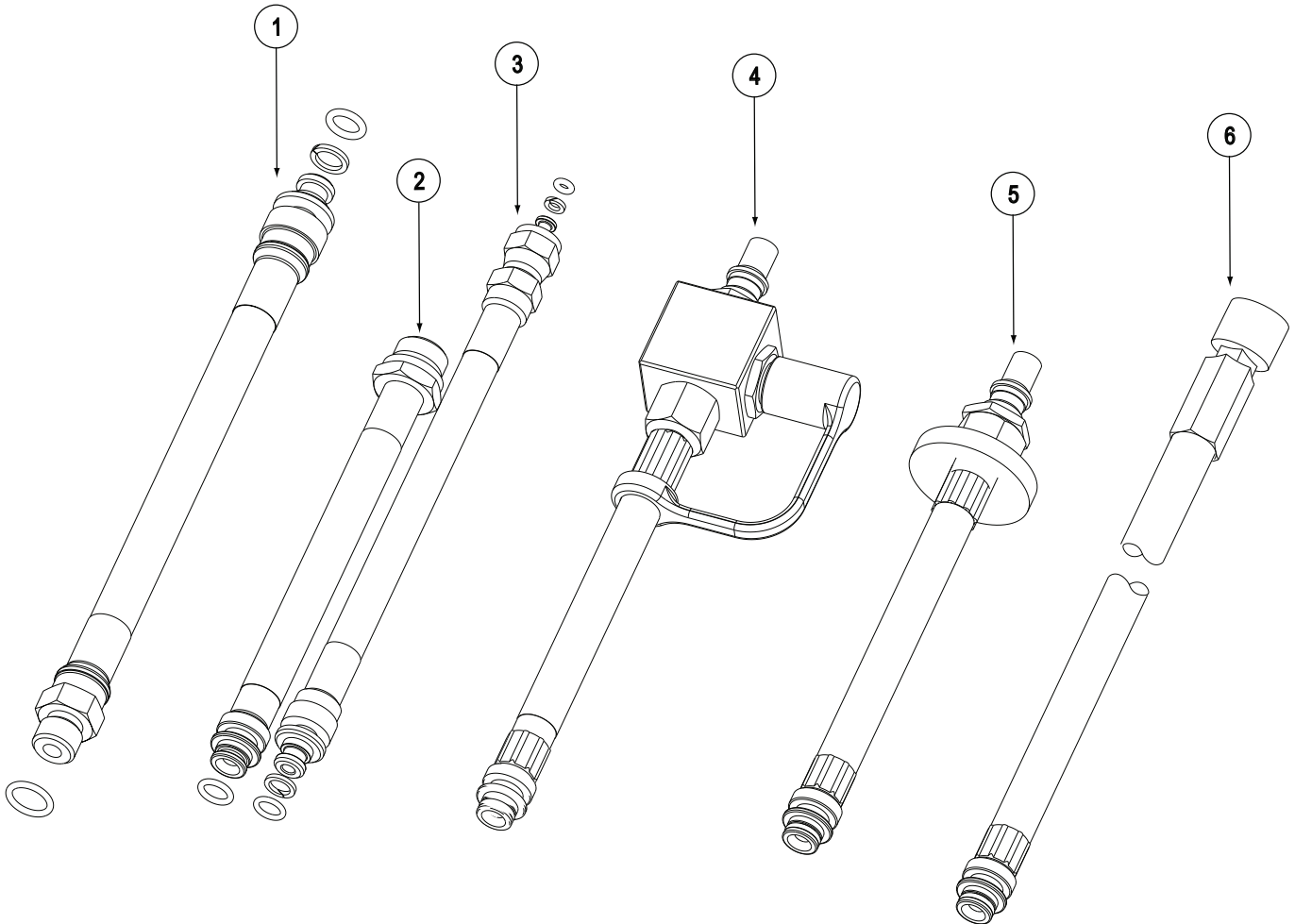
FIREHAWK M7 AIR MASK AND FIREHAWK M7 RESPONDER AIR MASK HOSE ASSEMBLIES

Parts List

Item	P/N	Description
1	804382	High Pressure Hose*
2	10051882	Intermediate Pressure Hose, Threaded*
3	10053331	High Pressure Gauge Hose*
4	10051884	Intermediate Pressure Hose, ExtendAire™ System*
5	10051883	Intermediate Pressure Hose, Quick Connect*
6	10082526	Responder Intermediate Pressure Hose

* Includes Back-Up Rings and O-Rings as needed.

Exploded Views



FIREHAWK M7 RESPONDER APR BREATHING TUBE

Replacement Kits

KIT P/N	P/N	Description
10094021	10082525	Breathing Tube, 6" APR
10094016	10082517	Breathing Tube, 18" APR w/o Plunger
10094023	10082542	Breathing Tube, 22" APR w/o Plunger
10094017	10082510	O-Ring (Pack of 20)
10094018	10078974	Gasket (Pack of 10)
10094019	10082516	Breathing Tube Housing
10094020	10082513	Snap Ring (Pack of 5)
10094022	10094022	RD40 Cap/Plug

Parts List

Item	P/N	Description
1	10078974	Gasket
2	10082516	Breathing Tube Housing
3	10082510	O-Ring
4	10082513	Snap Ring
5	10082548	APR Strap*

Exploded View

