

PremAire® Cadet Escape

PARTS LIST

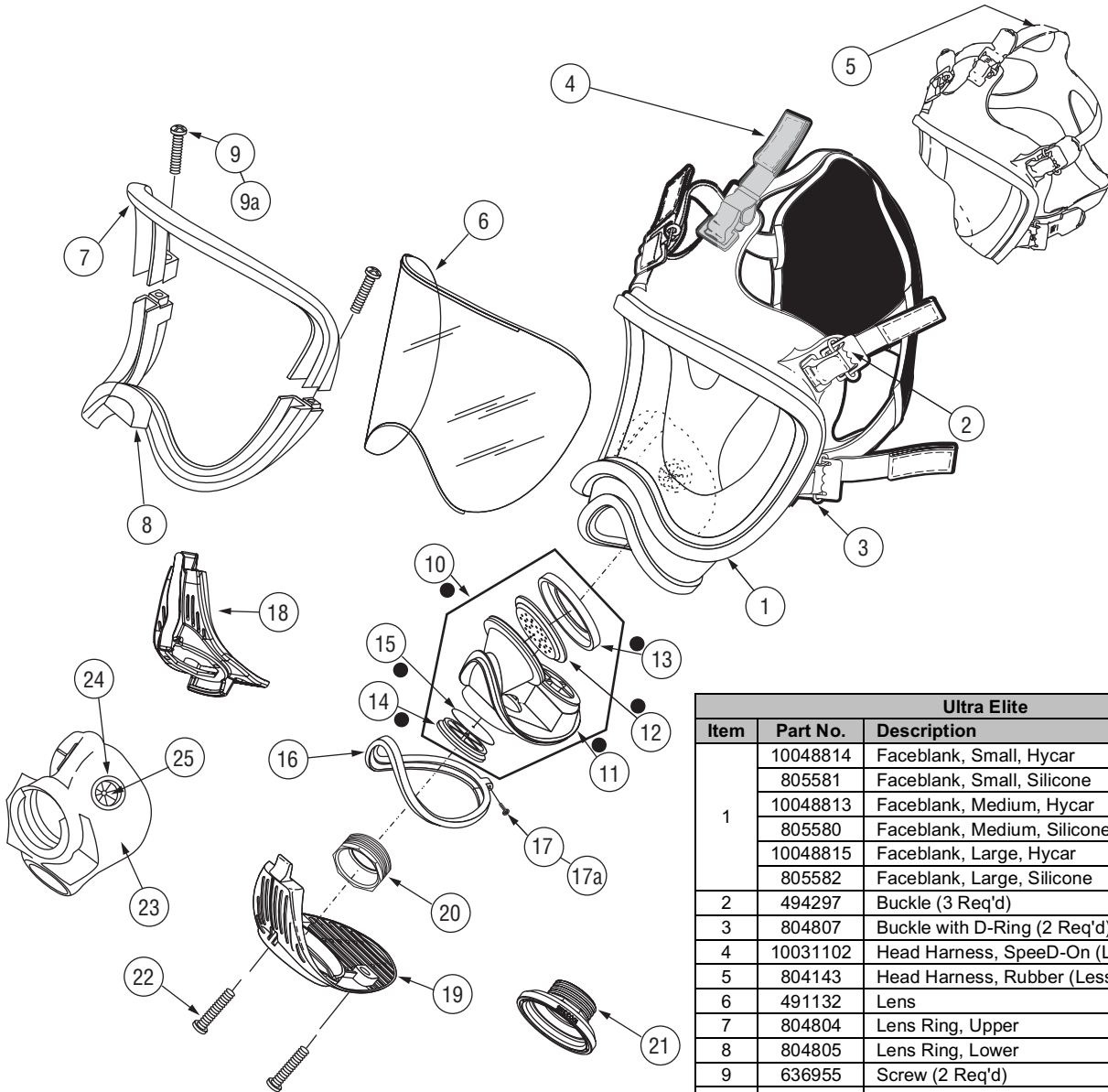
For More Information, call 1-800-MSA-2222 or Visit Our Website at www.MSAafety.com



MINE SAFETY APPLIANCES COMPANY
CRANBERRY TWP., PENNSYLVANIA, U.S.A. 16066

Ultra Elite® Facepiece

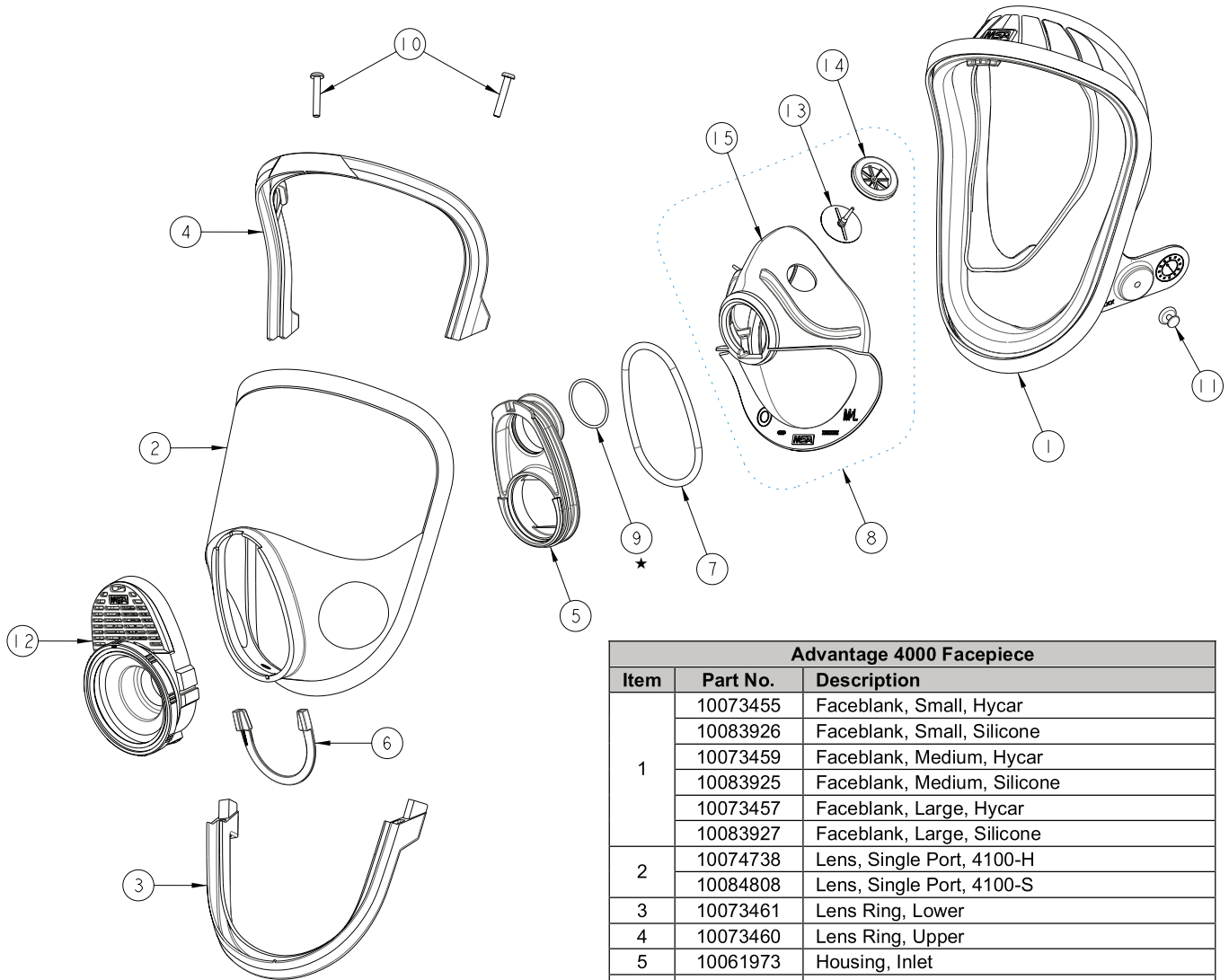
Pressure Demand Facepiece (Non NFPA)



Ultra Elite		
Item	Part No.	Description
1	10048814	Faceblank, Small, Hycar
	805581	Faceblank, Small, Silicone
	10048813	Faceblank, Medium, Hycar
	805580	Faceblank, Medium, Silicone
	10048815	Faceblank, Large, Hycar
	805582	Faceblank, Large, Silicone
2	494297	Buckle (3 Req'd)
3	804807	Buckle with D-Ring (2 Req'd)
4	10031102	Head Harness, Speed-On (Less Buckles)
5	804143	Head Harness, Rubber (Less Buckles)
6	491132	Lens
7	804804	Lens Ring, Upper
8	804805	Lens Ring, Lower
9	636955	Screw (2 Req'd)
9a	804806	Screw Kit (2 Req'd)
10	10026434	Component Housing Assembly (Complete)
11	815605	Component Housing with Exhalation Valve
12	804809	Speaking Diaphragm
13	804808	Speaking Diaphragm Retainer
14	805011	Valve Spider
15	804813	Inlet Disc
16	804811	Component Housing Ring
17	636956	Screw
17a	804812	Screw Kit
18	10034500	Component Housing Cover, Slide-To-Connect
19	489224	Component Housing Cover, Push-To-Connect
20	10018621	Adapter, Slide-To-Connect
21	10033115	Adapter, Push-To-Connect
22	10033208	Screw (2 Req'd)
23	495188	Nosecup Assembly, Medium
	495189	Nosecup Assembly, Large
24	804822	Valve Seat
25	304787	Valve Disc

Advantage[®] 4000 Facepiece

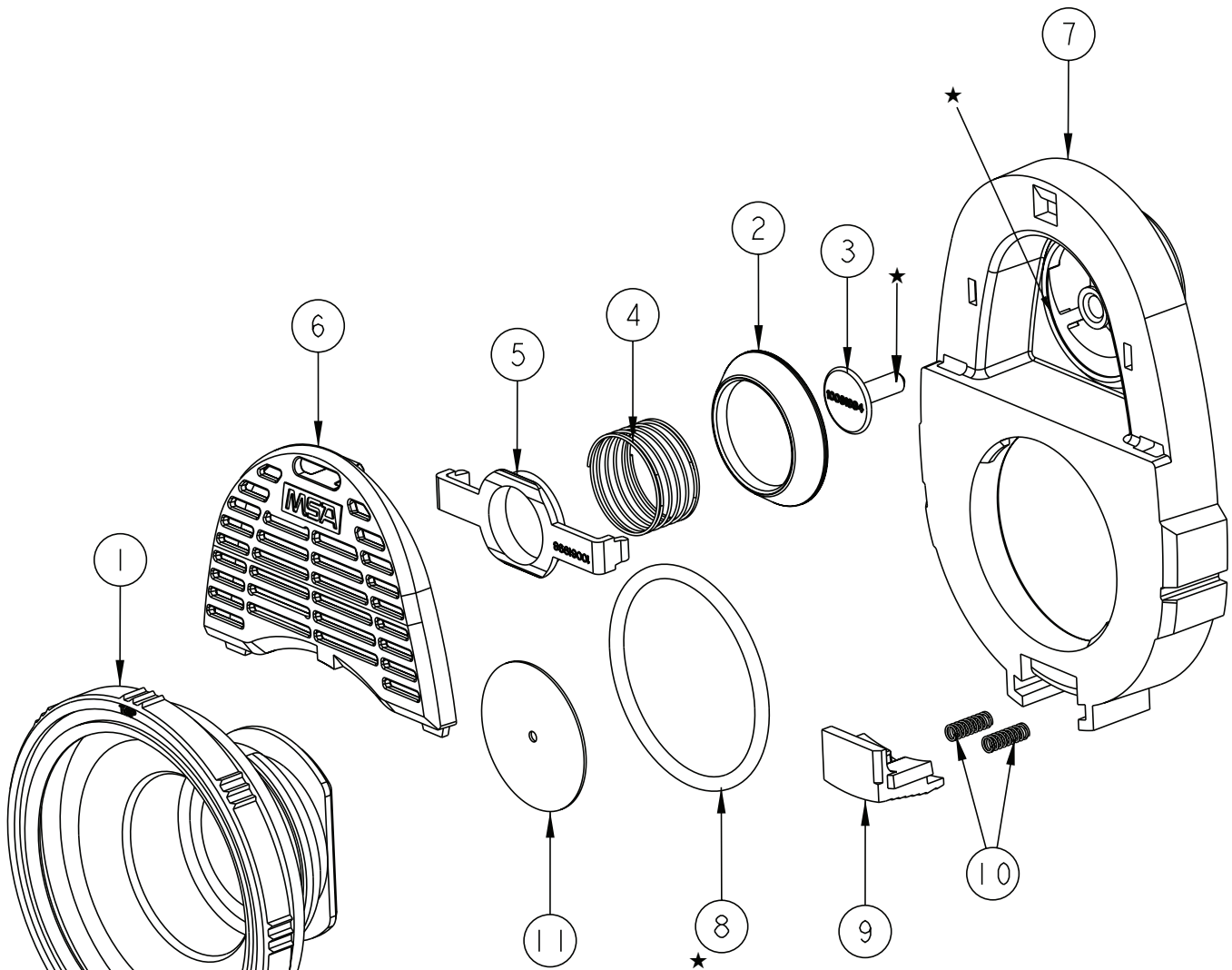
Pressure Demand Facepiece, Push-To-Connect



Advantage 4000 Facepiece		
Item	Part No.	Description
1	10073455	Faceblank, Small, Hycar
	10083926	Faceblank, Small, Silicone
	10073459	Faceblank, Medium, Hycar
	10083925	Faceblank, Medium, Silicone
	10073457	Faceblank, Large, Hycar
	10083927	Faceblank, Large, Silicone
2	10074738	Lens, Single Port, 4100-H
	10084808	Lens, Single Port, 4100-S
3	10073461	Lens Ring, Lower
4	10073460	Lens Ring, Upper
5	10061973	Housing, Inlet
6	10061996	U-Clip
7	10025297	O-Ring
8	10065803	Nosecup Assembly, Med/Large
	10065804	Nosecup Assembly, Small
9	10084819	O-Ring
10	10026562	Screw
11	10025288	Button
12	10065329	Inlet Assembly, Push-To-Connect
13	804823	Valve Disc
	804822	Valve Seat
15	10065305	Nosecup, Med/Large
	10065306	Nosecup, Small
	10075901	Silicone Head Harness (Not Shown)
	10075903	Cloth Net Head Harness (Not Shown)
	10107784	Kevlar Net Head Harness (Now Shown)
	465008	Bag, Drawstring
	10029294	Cover, Lens
★	604070	Lubricant

Advantage 4000 PTC Inlet Assembly

P/N 10065329



Advantage 4000 PTC Inlet Assembly		
Item	Part No.	Description
1	10061978	Adapter
2	10061995	Valve, Exhalation
3	10061994	Stem
4	10081456	Spring, Exhalation
5	10061998	Spring, Retainer
6	10061974	Cover, Exhalation
7	10077331	Housing, Component
8	10065301	O-Ring
9	10061976	Button, Locking
10	10065303	Spring (2 Req'd)
11	10065805	Valve, Inhalation
★	604070	Lubricant

Firehawk Mask Mounted Regulator

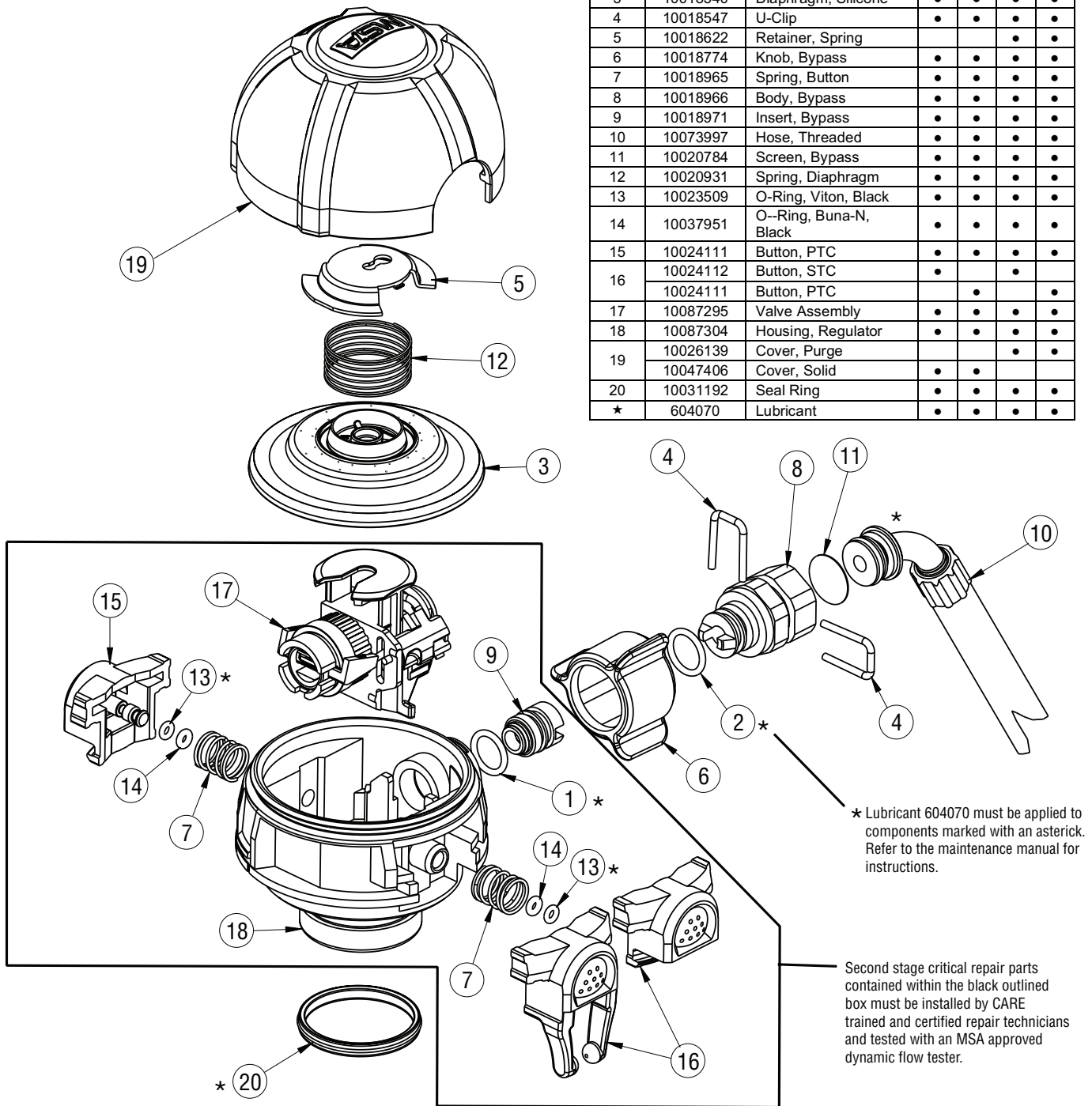
Slide-To-Connect Solid Cover: P/N 10073912

Push-To-Connect Solid Cover: P/N 10073913

Slide-To-Connect Purge Cover: P/N 10073914

Push-To-Connect Purge Cover: P/N 10073915

Firehawk Mask Mounted Regulator			Assy. Number			
			10073912	10073913	10073914	10073915
Item	Part No.	Description				
1	697453	O-Ring, Silicone, Red	•	•	•	•
2	634669	O-Ring, Fluoro., Blue	•	•	•	•
3	10018540	Diaphragm, Silicone	•	•	•	•
4	10018547	U-Clip	•	•	•	•
5	10018622	Retainer, Spring			•	•
6	10018774	Knob, Bypass	•	•	•	•
7	10018965	Spring, Button	•	•	•	•
8	10018966	Body, Bypass	•	•	•	•
9	10018971	Insert, Bypass	•	•	•	•
10	10073997	Hose, Threaded	•	•	•	•
11	10020784	Screen, Bypass	•	•	•	•
12	10020931	Spring, Diaphragm	•	•	•	•
13	10023509	O-Ring, Viton, Black	•	•	•	•
14	10037951	O-Ring, Buna-N, Black	•	•	•	•
15	10024111	Button, PTC	•	•	•	•
16	10024112	Button, STC	•	•	•	•
	10024111	Button, PTC		•		•
17	10087295	Valve Assembly	•	•	•	•
18	10087304	Housing, Regulator	•	•	•	•
19	10026139	Cover, Purge			•	•
	10047406	Cover, Solid	•	•		
20	10031192	Seal Ring	•	•	•	•
★	604070	Lubricant	•	•	•	•



* Lubricant 604070 must be applied to components marked with an asterisk. Refer to the maintenance manual for instructions.

Second stage critical repair parts contained within the black outlined box must be installed by CARE trained and certified repair technicians and tested with an MSA approved dynamic flow tester.

Cylinder and Valve Assembly

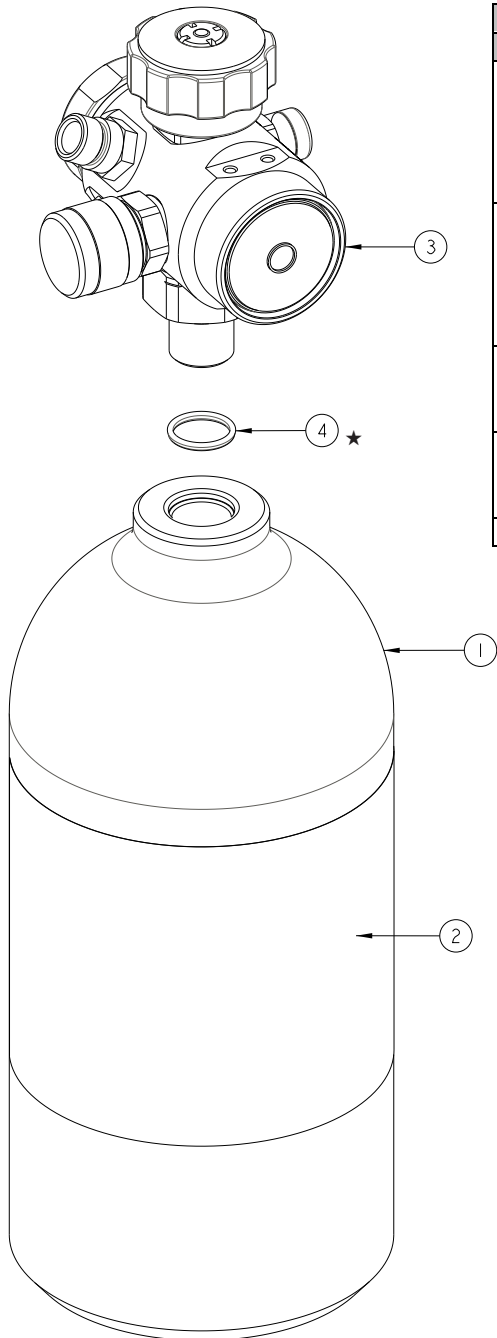
5 Minute Aluminum 2216 psig: P/N 10061364

10 Minute Aluminum 3000 psig: P/N 10061365

5 Minute Carbon 3000 psig: P/N 10061366

10 Minute Carbon 3000 psig: P/N 10061367

15 Minute Carbon 3000 psig: P/N 10065044



Cylinder and Valve Assembly		
Item	Part No.	Description
1	818157	Cylinder, 5 Min. Aluminum, 2216 psig
	802190	Cylinder, 10 Min. Aluminum, 3000 psig
	10042390	Cylinder, 5 Min. Carbon, 3000 psig
	10042391	Cylinder, 10 Min. Carbon, 3000 psig
	10065043	Cylinder, 15 Min. Carbon, 3000 psig
2	10061372	Label, 5 Min. Aluminum
	10061373	Label, 10 Min. Aluminum
	10061374	Label, 5 Min. Carbon
	10061375	Label, 10 Min. Carbon
3	10061376	Label, 15 Min. Carbon
	10061361	Valve Assembly, 5 Min. Carbon / 10 Min. Carbon
	10061362	Valve Assembly, 5 Min. Aluminum
4	10061363	Valve Assembly, 10 Min. Aluminum / 15 Min. Carbon
	633549	O-Ring, 5 Min. Carbon / 10 Min. Carbon
	68542	O-Ring, 5 Min. Aluminum
★	633550	O-Ring, 10 Min. Aluminum / 15 Min. Carbon
	604070	Lubricant

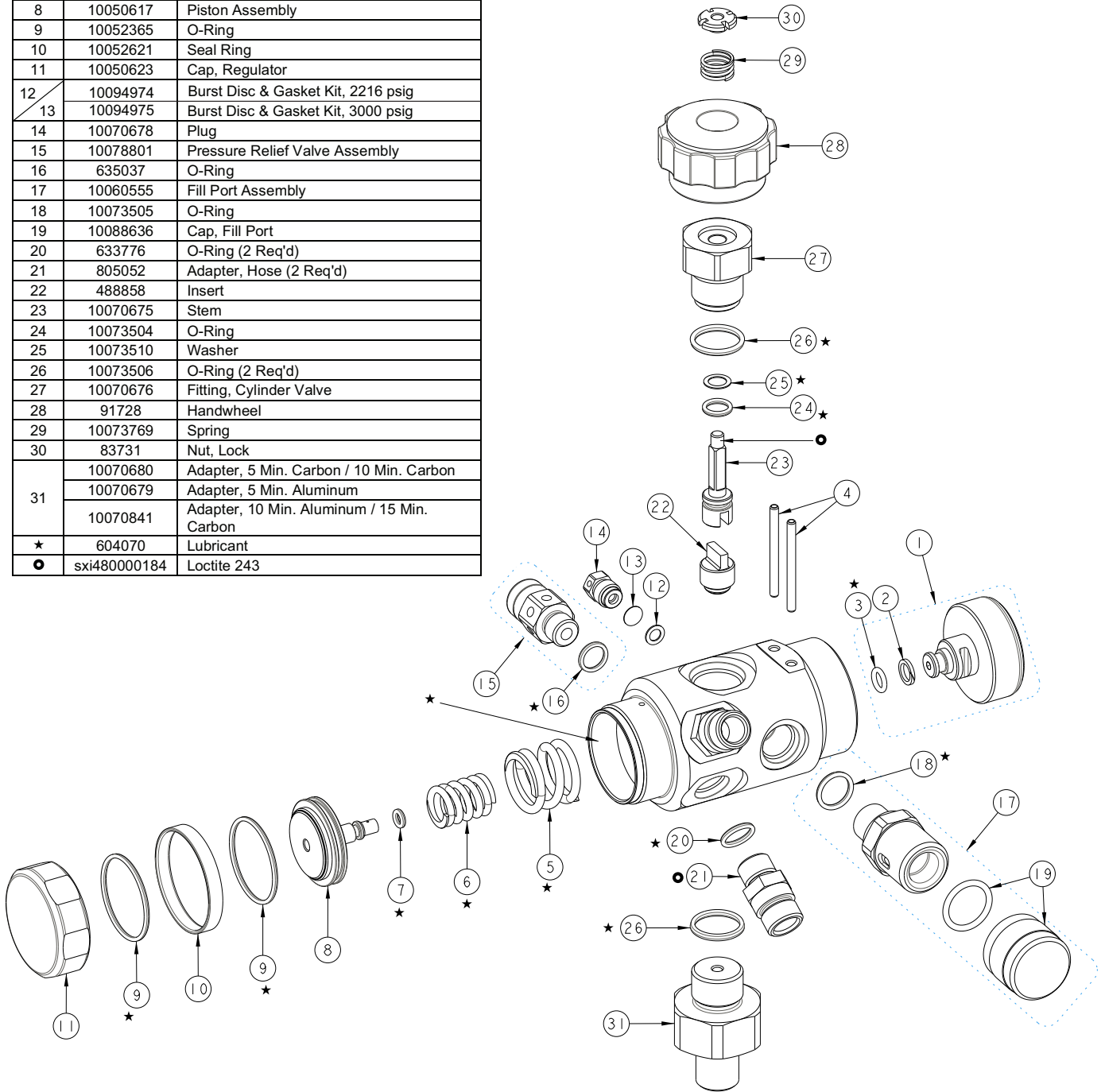
Valve Assembly

5 Minute Carbon / 10 Minute Carbon: P/N 10061361

5 Minute Aluminum: P/N 10061362

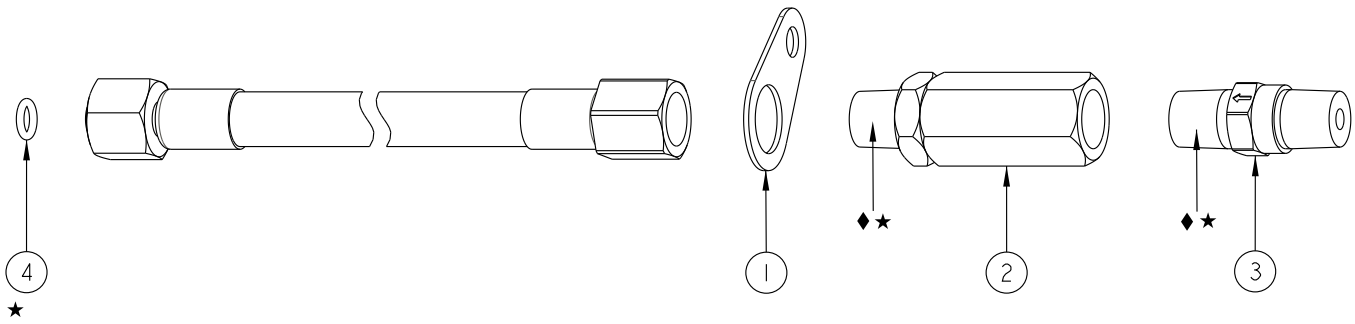
10 Minute Aluminum / 15 Minute Carbon: P/N 10061363

Valve Assembly		
Item	Part No.	Description
1	10075662	Gauge Assembly
2	635278	Back-Up Ring
3	63198	O-Ring
4	10060571	Roll Pin
5	10050620	Spring, Outer, Regulator
6	10050621	Spring, Inner, Regulator
7	10052364	O-Ring
8	10050617	Piston Assembly
9	10052365	O-Ring
10	10052621	Seal Ring
11	10050623	Cap, Regulator
12	10094974	Burst Disc & Gasket Kit, 2216 psig
13	10094975	Burst Disc & Gasket Kit, 3000 psig
14	10070678	Plug
15	10078801	Pressure Relief Valve Assembly
16	635037	O-Ring
17	10060555	Fill Port Assembly
18	10073505	O-Ring
19	10088636	Cap, Fill Port
20	633776	O-Ring (2 Req'd)
21	805052	Adapter, Hose (2 Req'd)
22	488858	Insert
23	10070675	Stem
24	10073504	O-Ring
25	10073510	Washer
26	10073506	O-Ring (2 Req'd)
27	10070676	Fitting, Cylinder Valve
28	91728	Handwheel
29	10073769	Spring
30	83731	Nut, Lock
31	10070680	Adapter, 5 Min. Carbon / 10 Min. Carbon
	10070679	Adapter, 5 Min. Aluminum
	10070841	Adapter, 10 Min. Aluminum / 15 Min. Carbon
★	604070	Lubricant
●	sxi480000184	Loctite 243



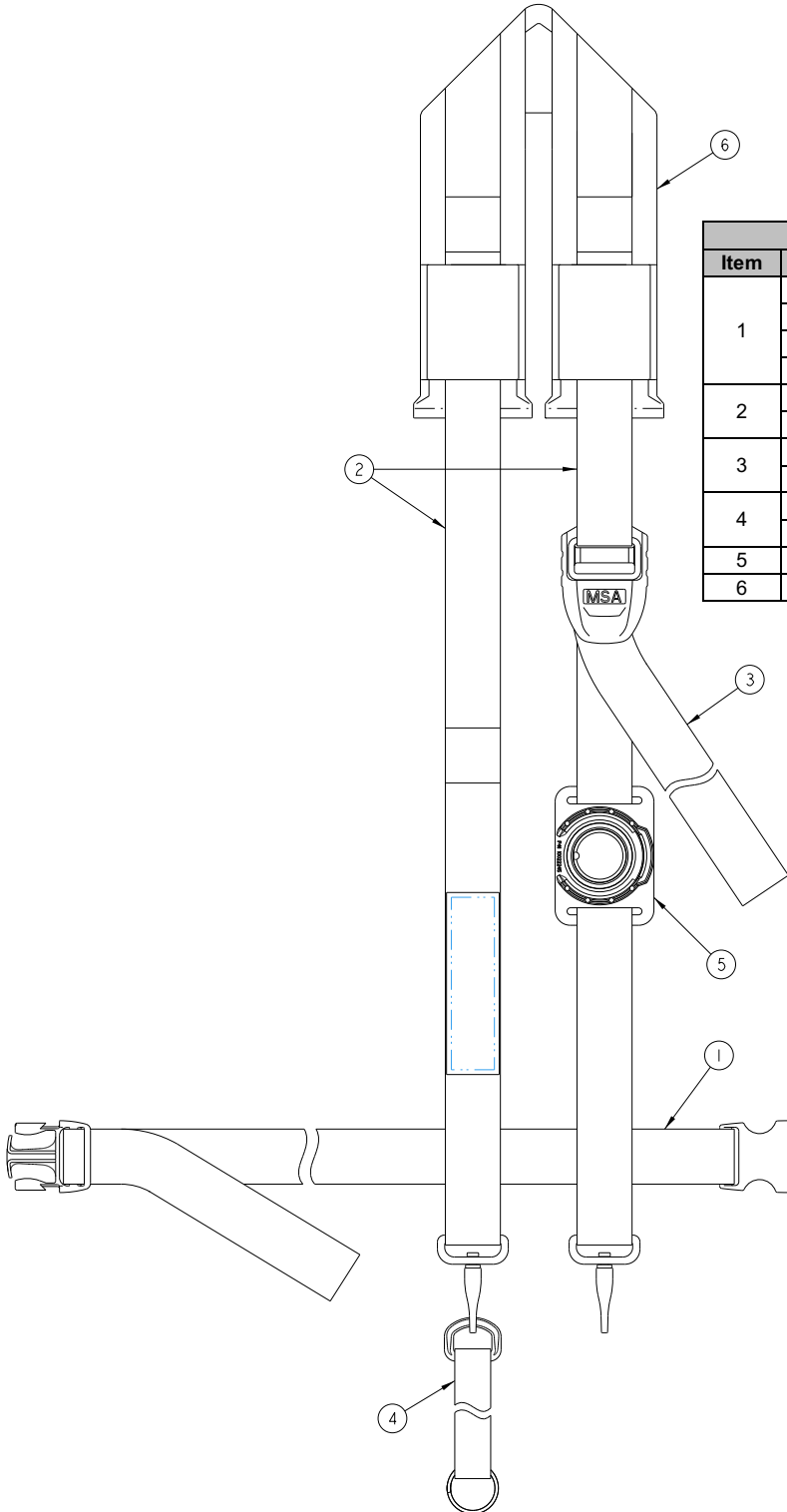
Supply Hose Assembly

P/N 10073511



Supply Hose Assembly		
Item	Part No.	Description
1	481276	Ring, Snap
2	637773	Filter
3	630326	Valve, Check
4	63198	O-Ring
★	604070	Lubricant

Harness Assembly

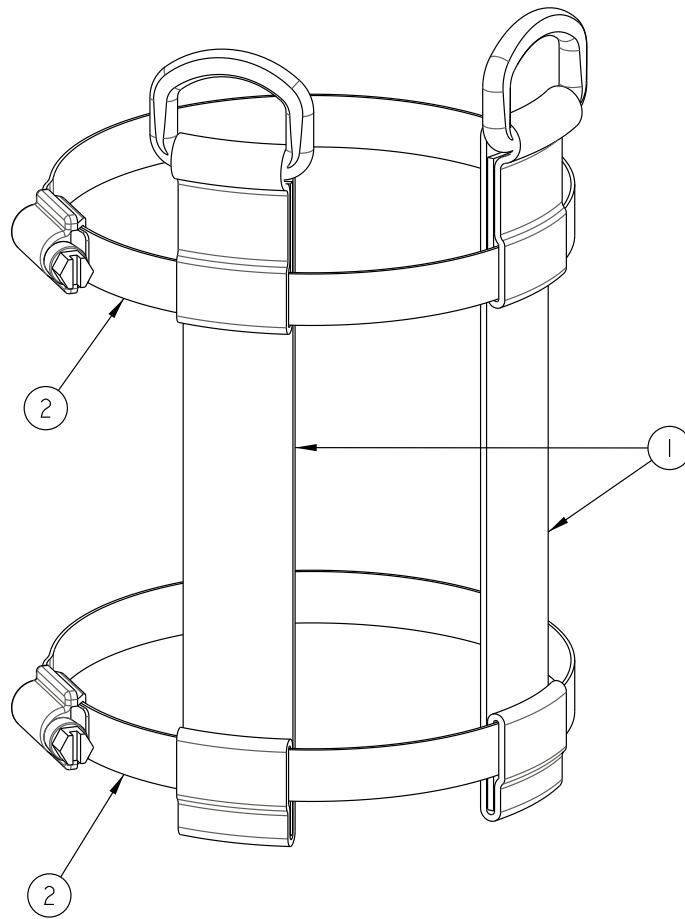


Harness Assembly		
Item	Part No.	Description
1	10071091	Waist Strap, Nylon
	10071092	Waist Strap, Nylon, Long
	10071093	Waist Strap, Kevlar
	10071094	Waist Strap, Kevlar, Long
2	10071047	Shoulder Strap, Nylon
	10071048	Shoulder Strap, Kevlar
3	10071049	Pull Strap, Nylon
	10071050	Pull Strap, Kevlar
4	10073512	Hose Strap, Nylon
	10073513	Hose Strap, Kevlar
5	10022245	Mount, Firehawk
6	10037253	Shoulder Pad

Standard Cylinder Carrier

Nylon: P/N 10073516

Kevlar: P/N 10073517



Standard Cylinder Carrier		
Item	Part No.	Description
1	10071095	Strap, Nylon (2 Req'd)
	10071096	Strap, Kevlar (2 Req'd)
2	10062798	Clamp (2 Req'd)

Bag Cylinder Carrier

5 Minute Nylon: P/N 10061349

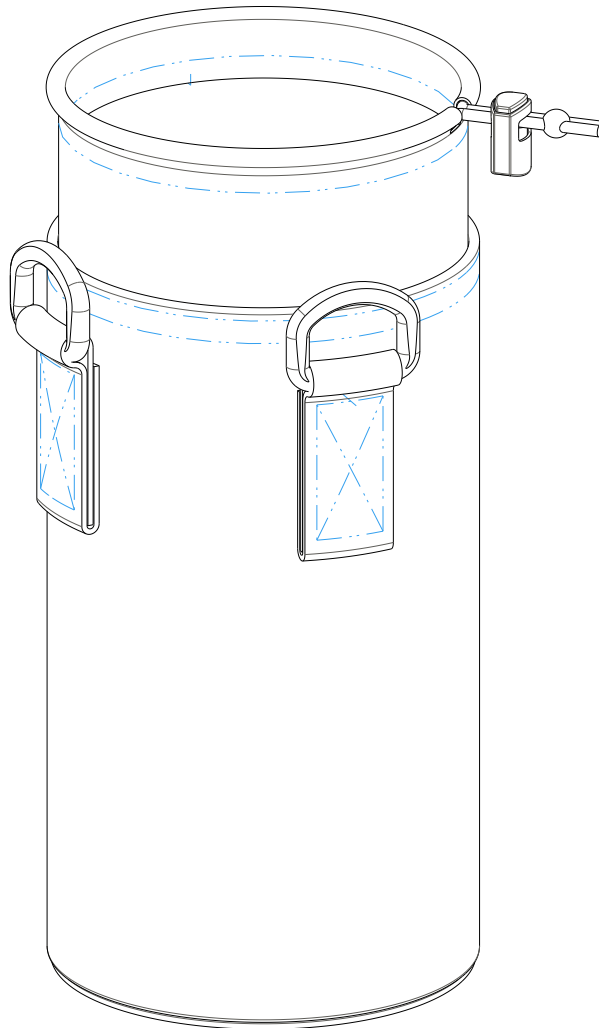
5 Minute Kevlar: P/N 10061353

10 Minute Nylon: P/N 10061350

10 Minute Kevlar: P/N 10061354

15 Minute Nylon: P/N 10078802

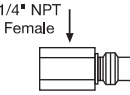
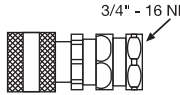
15 Minute Kevlar: P/N 10078803



Quick Disconnects

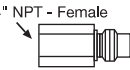
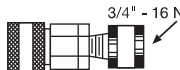
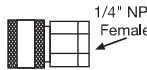
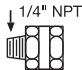
LOCKING TYPES

SNAP-TITE — Aluminum (AL), Brass (BR), Stainless Steel (SST)

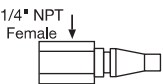
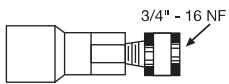
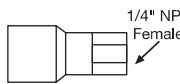
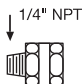
 <p>1/4" NPT Female</p> <p>479027 Plug For (AL) Quick Disconnect Assembly 479029 Plug For (Brass) Quick Disconnect Assembly 479028 Plug For (SST) Quick Disconnect Assembly</p>	 <p>3/4" - 16 NF</p> <p>479032 (AL) Socket 479034 (Brass) Socket 479033 (SST) Socket</p>
--	---

NON-LOCKING TYPES

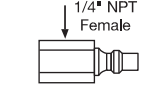
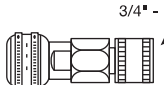
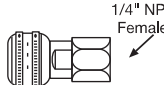
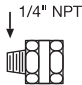
SNAP-TITE — Aluminum (AL), Brass (BR), Stainless Steel (SST)

 <p>1/4" NPT - Female</p> <p>66274 Plug For (AL) Quick Disconnect Assembly 630307 Plug For (BR) Quick Disconnect Assembly 629672 Plug For (SST) Quick Disconnect Assembly</p>	 <p>3/4" - 16 NF</p> <p>455019 (AL) Socket Assembly 471777 (BR) Socket Assembly 471778 (SST) Socket Assembly</p>	 <p>1/4" NPT Female</p> <p>66272 (AL) Socket 630305 (BR) Socket 629673 (SST) Socket</p>	 <p>1/4" NPT</p> <p>69541 Air Supply Hose Connector</p>
--	---	---	--

FOSTER — Steel (S) Stainless Steel (SST)

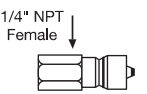
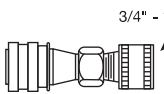
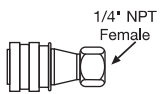
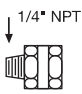
 <p>1/4" NPT Female</p> <p>55716 Plug For (S) Quick Disconnect Assembly 636460 Plug for (SST) Quick Disconnect Assembly</p>	 <p>3/4" - 16 NF</p> <p>467044 (S) Socket Assembly 801016 (SST) Socket Assembly</p>	 <p>1/4" NPT Female</p> <p>628770 (S) Socket 636459 (SST) Socket</p>	 <p>1/4" NPT</p> <p>808360 - SS Air Supply Hose Connector</p>
--	--	--	--

HANSEN — Brass (BR)

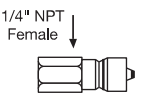
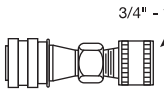
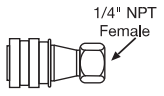
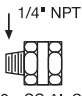
 <p>1/4" NPT Female</p> <p>630313 Plug For (BR) Quick Disconnect Assembly</p>	 <p>3/4" - 16 NF</p> <p>471501 (BR) Socket Assembly</p>	 <p>1/4" NPT Female</p> <p>630311 (BR) Socket</p>	 <p>1/4" NPT</p> <p>69541 Air Supply Hose Connector</p>
--	--	---	--

NON-LOCKING TYPES — WITH CHECK VALVE IN PLUG

FOSTER — Brass (BR)

 <p>1/4" NPT Female</p> <p>629981 Plug For (BR) Quick Disconnect Assembly</p>	 <p>3/4" - 16 NF</p> <p>470194 (BR) Socket Assembly</p>	 <p>1/4" NPT Female</p> <p>629980 (BR) Socket</p>	 <p>1/4" NPT</p> <p>69541 Air Supply Hose Connector</p>
--	--	---	--

HANSEN — Stainless Steel (SST)

 <p>1/4" NPT Female</p> <p>628208 Plug For (SST) Quick Disconnect Assembly</p>	 <p>3/4" - 16 NF</p> <p>471779 (SST) Socket Assembly</p>	 <p>1/4" NPT Female</p> <p>628768 (SST) Socket</p>	 <p>1/4" NPT</p> <p>808360 - SS Air Supply Hose Connector</p>
---	---	--	--