

# *Firehawk*<sup>TM</sup> Air Mask

## PARTS LIST

Medium Pressure (3000 psi)  
NFPA 1981 - 2002 Edition  
Compliant



For More Information: Call (1-800-MSA-2222) or Visit Our Website at ([www.MSAnet.com](http://www.MSAnet.com))



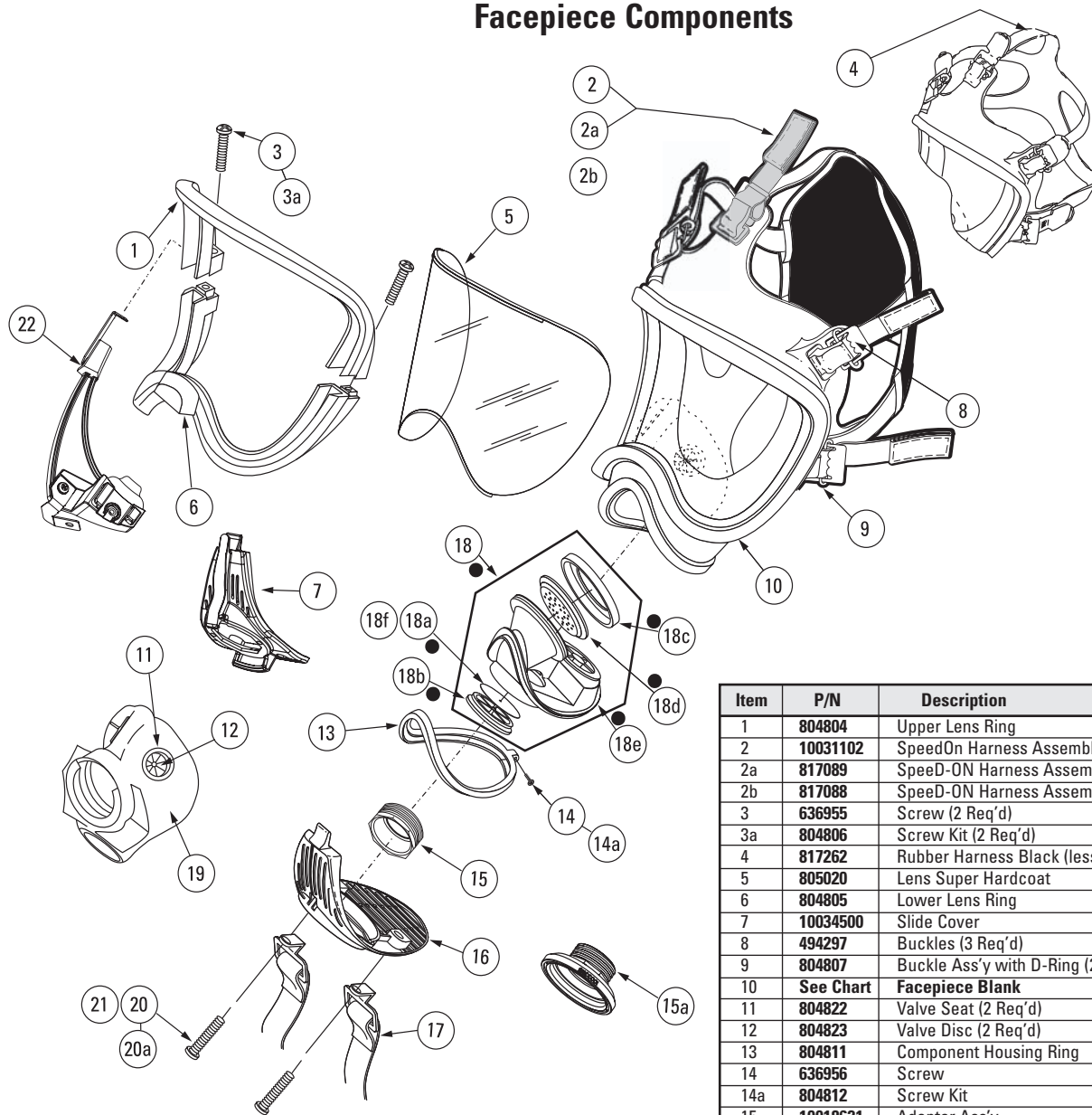
Be Sure.  
Choose MSA.

MINE SAFETY APPLIANCES COMPANY  
PITTSBURGH, PENNSYLVANIA, U.S.A. 15230

# Ultra Elite<sup>®</sup> Firehawk

pressure demand facepiece NFPA

## Facepiece Components



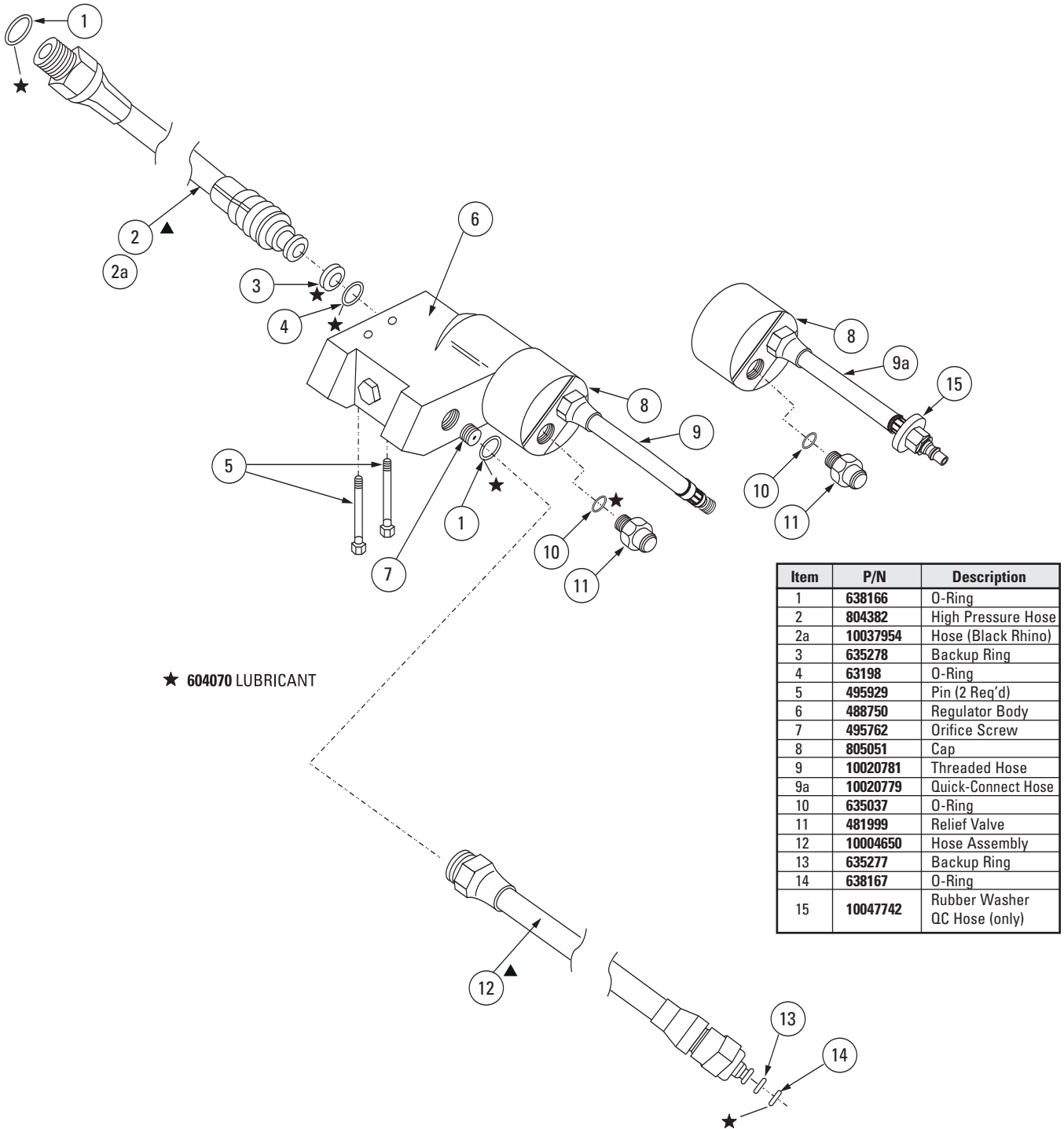
Facepiece Blank			
Type	Small	Medium	Large
Hycar	10048814	10048813	10048815
Silicone	805581	805580	805582

Item	P/N	Description
1	804804	Upper Lens Ring
2	10031102	SpeedOn Harness Assembly (Firehawk)
2a	817089	Speed-ON Harness Assembly (with 3 Buckles)
2b	817088	Speed-ON Harness Assembly (less Buckles)
3	636955	Screw (2 Req'd)
3a	804806	Screw Kit (2 Req'd)
4	817262	Rubber Harness Black (less Buckles)
5	805020	Lens Super Hardcoat
6	804805	Lower Lens Ring
7	10034500	Slide Cover
8	494297	Buckles (3 Req'd)
9	804807	Buckle Ass'y with D-Ring (2 Req'd)
10	See Chart	Facepiece Blank
11	804822	Valve Seat (2 Req'd)
12	804823	Valve Disc (2 Req'd)
13	804811	Component Housing Ring
14	636956	Screw
14a	804812	Screw Kit
15	10018621	Adapter Ass'y
15a	10033115	Push-To-Connect
16	489224	Component Housing Cover
17	804829	Neckstrap
18	815604	Component Housing Assembly (Complete) •
18a	804813	Inlet Disc •
18b	804814	Valve Spider •
18c	804808	Speaking Diaphragm Retainer •
18d	804809	Speaking Diaphragm •
18e	815605	Component Housing with Exhalation valve •
18f	490134	Valve Spider (Firehawk)
19	<b>Nosecup Assembly (with valves)</b>	
19a	810412	Medium, Gray
19b	810413	Large, Gray
19c	495188	Medium, Black
19d	495189	Large, Black
19e	804638	Spectacle Kit
20	10033208	Screws (2 Req'd)
20a	804821	Screw Kit (2 Req'd)
21	637070	Screw (2) (Firehawk)
22	10037791	NightFighter Bracket

# Firehawk First Stage Regulator Assembly

part number 10026233 (with Threaded Hose 10020781 / Relief Valve 481999)

part number 10026234 (with Quick-Connect Hose 10020779 / Relief Valve 481999)

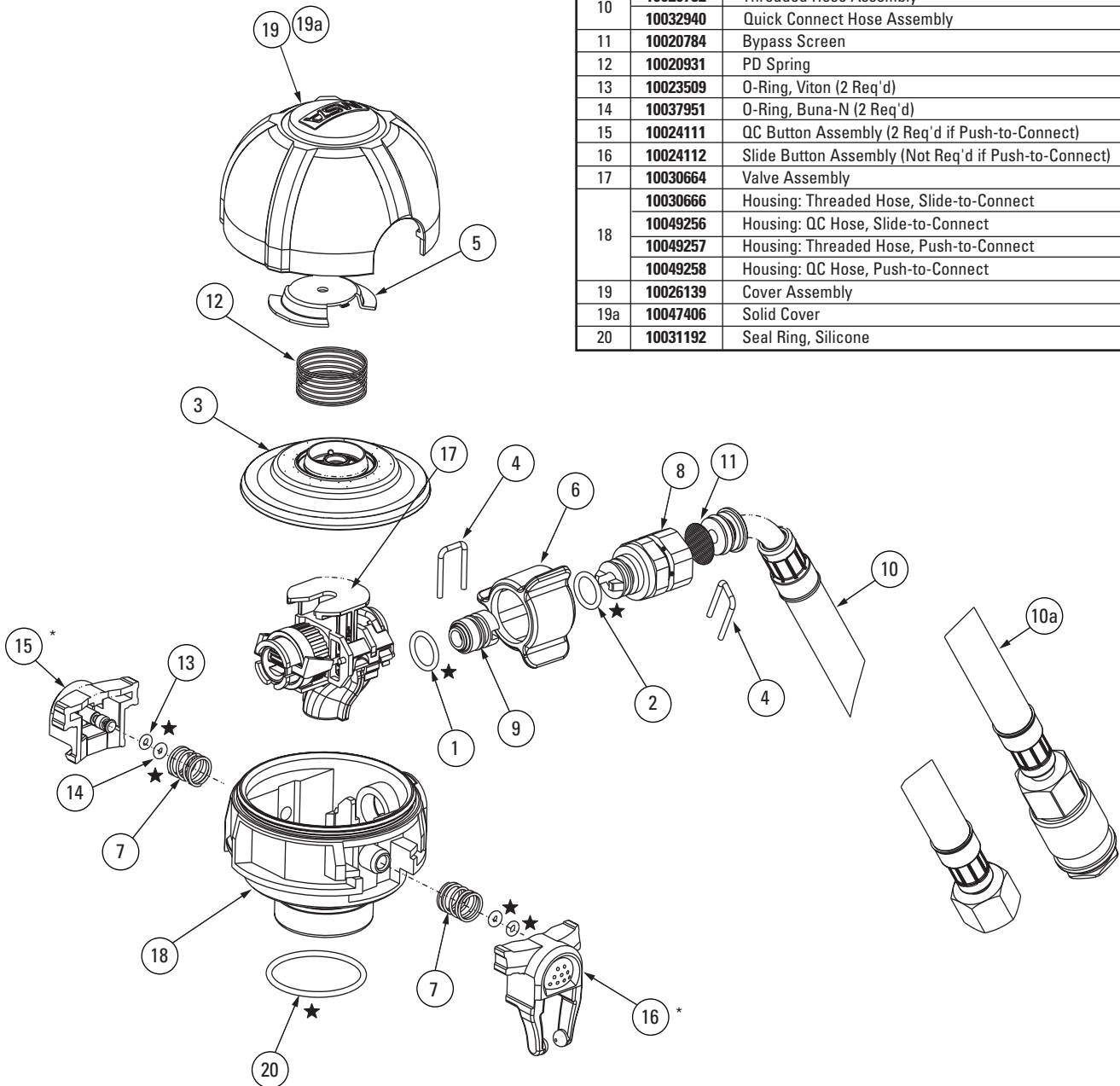


## First Stage Regulator Assemblies

(Less High Pressure Hose, Pressure Gauge & Hose Assembly and Second Stage Regulator)

# Firehawk Second Stage Regulator Assembly

Item	P/N	Description
	10023684	Firehawk Assembly, Threaded Hose, Slide-to-Connect
	10023685	Firehawk Assembly, QC Hose, Slide-to-Connect
	10033112	Firehawk Assembly, Threaded Hose, Push-to-Connect
	10033113	Firehawk Assembly, QC Hose, Push-to-Connect 1
1	697453	O-Ring, Silicone
2	634669	O-Ring, Fluorosilicone
3	10018540	Diaphragm Assembly
4	10018547	U-Clip (2 Req'd)
5	10018622	Spring Retainer (not used with solid cover)
6	10018774	Bypass Knob
7	10018965	QC Spring (2 Req'd)
8	10018966	Bypass Body
9	10018971	Bypass Insert Assembly
10	10020782	Threaded Hose Assembly
	10032940	Quick Connect Hose Assembly
11	10020784	Bypass Screen
12	10020931	PD Spring
13	10023509	O-Ring, Viton (2 Req'd)
14	10037951	O-Ring, Buna-N (2 Req'd)
15	10024111	QC Button Assembly (2 Req'd if Push-to-Connect)
16	10024112	Slide Button Assembly (Not Req'd if Push-to-Connect)
17	10030664	Valve Assembly
18	10030666	Housing: Threaded Hose, Slide-to-Connect
	10049256	Housing: QC Hose, Slide-to-Connect
	10049257	Housing: Threaded Hose, Push-to-Connect
	10049258	Housing: QC Hose, Push-to-Connect
19	10026139	Cover Assembly
19a	10047406	Solid Cover
20	10031192	Seal Ring, Silicone

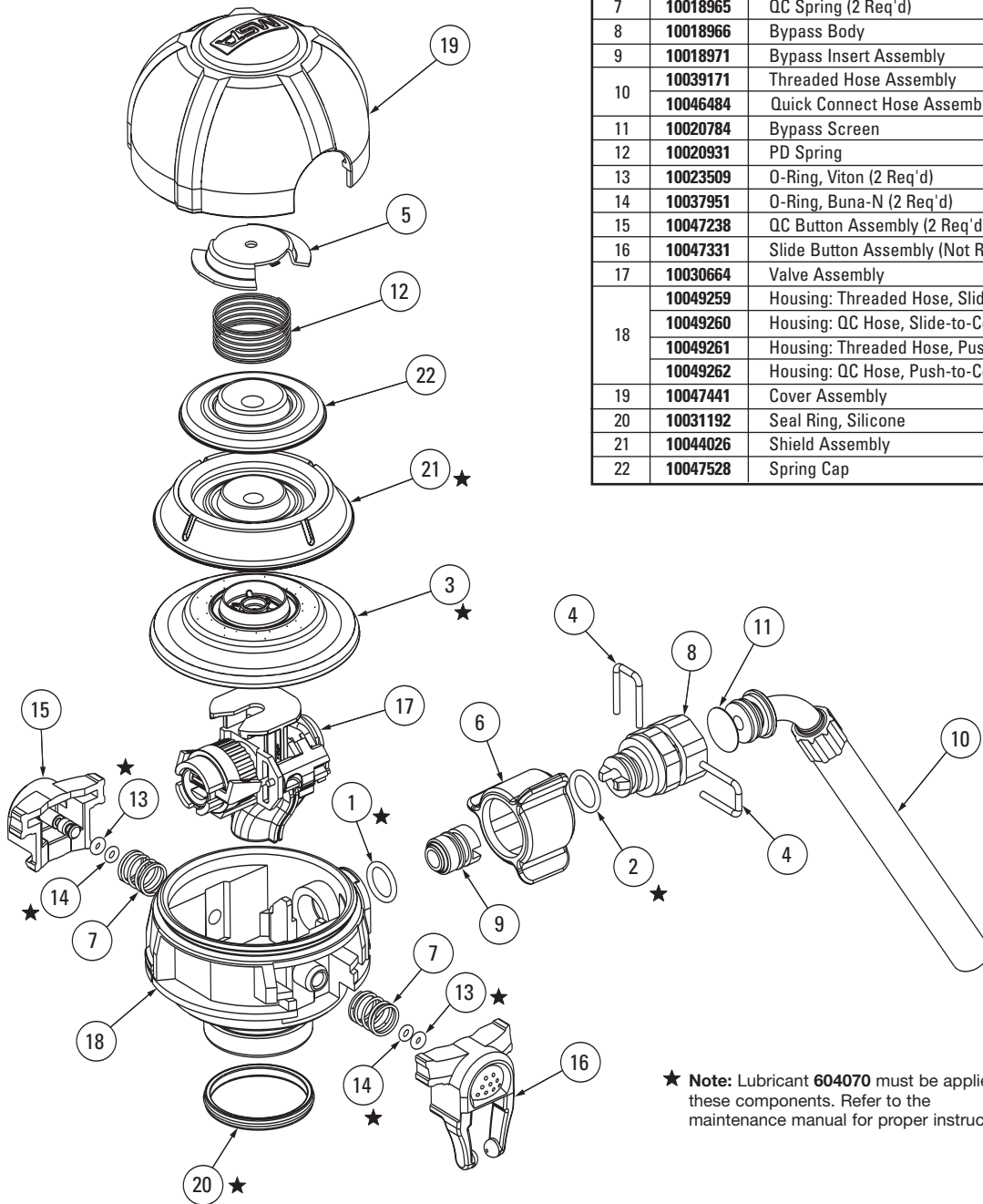


**\*Note:** Push-To-Connect Regulator Assemblies have two (2) Quick-Connect Buttons (P/N 10024111) #15

★ 604070 Lubricant

# CBRN Firehawk Second Stage Regulator Assembly

Item	P/N	Description
	10043892	Firehawk Assembly, Threaded Hose, Slide-to-Connect
	10043893	Firehawk Assembly, QC Hose, Slide-to-Connect
	10043894	Firehawk Assembly, Threaded Hose, Push-to-Connect
	10043895	Firehawk Assembly, QC Hose, Push-to-Connect 1
1	697453	O-Ring, Silicone
2	634669	O-Ring, Fluorosilicone
3	10039172	Diaphragm Assembly
4	10018547	U-Clip (2 Req'd)
5	10018622	Spring Retainer
6	10018774	Bypass Knob
7	10018965	QC Spring (2 Req'd)
8	10018966	Bypass Body
9	10018971	Bypass Insert Assembly
10	10039171	Threaded Hose Assembly
	10046484	Quick Connect Hose Assembly
11	10020784	Bypass Screen
12	10020931	PD Spring
13	10023509	O-Ring, Viton (2 Req'd)
14	10037951	O-Ring, Buna-N (2 Req'd)
15	10047238	QC Button Assembly (2 Req'd if Push-to-Connect)
16	10047331	Slide Button Assembly (Not Req'd if Push-to-Connect)
17	10030664	Valve Assembly
18	10049259	Housing: Threaded Hose, Slide-to-Connect
	10049260	Housing: QC Hose, Slide-to-Connect
	10049261	Housing: Threaded Hose, Push-to-Connect
	10049262	Housing: QC Hose, Push-to-Connect
19	10047441	Cover Assembly
20	10031192	Seal Ring, Silicone
21	10044026	Shield Assembly
22	10047528	Spring Cap

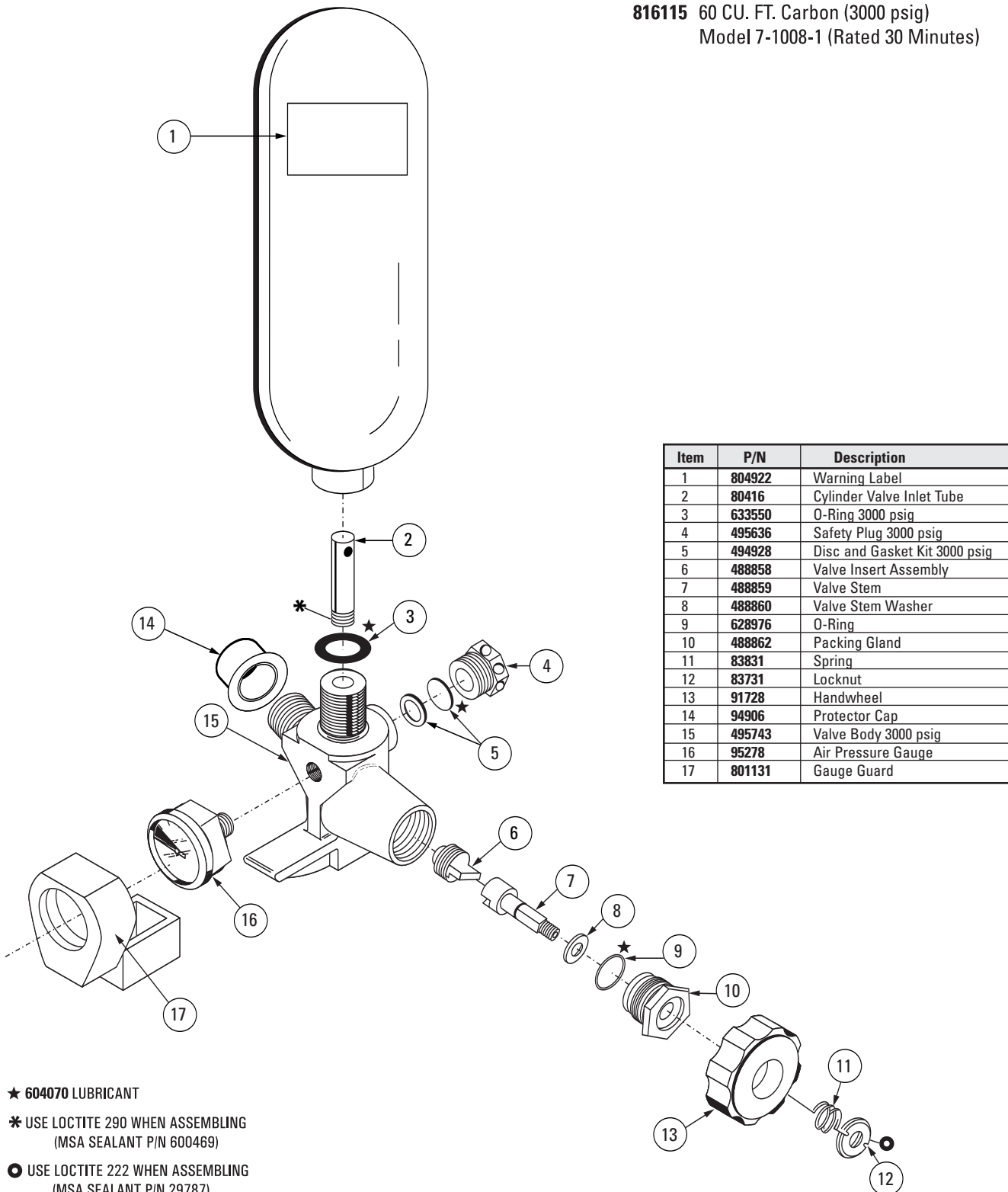


★ **Note:** Lubricant 604070 must be applied to these components. Refer to the maintenance manual for proper instructions.

# Cylinder and Valve Assembly

## 494884 Cylinder Valve Assembly for 3000 PSIG Cylinder

816115 60 CU. FT. Carbon (3000 psig)  
Model 7-1008-1 (Rated 30 Minutes)

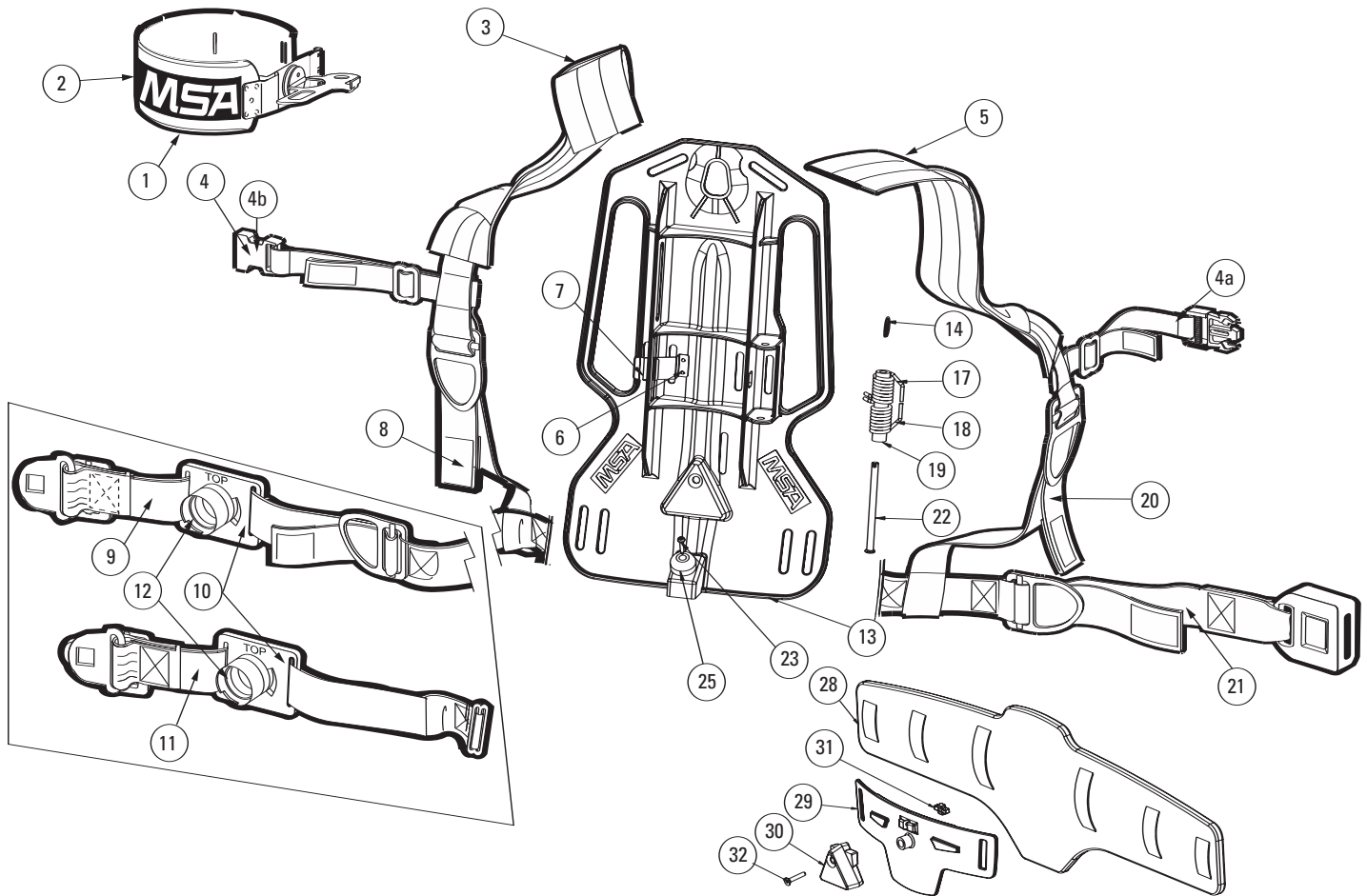


Item	P/N	Description
1	804922	Warning Label
2	80416	Cylinder Valve Inlet Tube
3	633550	O-Ring 3000 psig
4	495636	Safety Plug 3000 psig
5	494928	Disc and Gasket Kit 3000 psig
6	488858	Valve Insert Assembly
7	488859	Valve Stem
8	488860	Valve Stem Washer
9	628976	O-Ring
10	488862	Packing Gland
11	83831	Spring
12	83731	Locknut
13	91728	Handwheel
14	94906	Protector Cap
15	495743	Valve Body 3000 psig
16	95278	Air Pressure Gauge
17	801131	Gauge Guard

- ★ 604070 LUBRICANT
- \* USE LOCTITE 290 WHEN ASSEMBLING  
(MSA SEALANT P/N 600469)
- USE LOCTITE 222 WHEN ASSEMBLING  
(MSA SEALANT P/N 29787)

# AirFrame Firehawk Carrier and Harness Assembly

## Double Pull part number 10046846

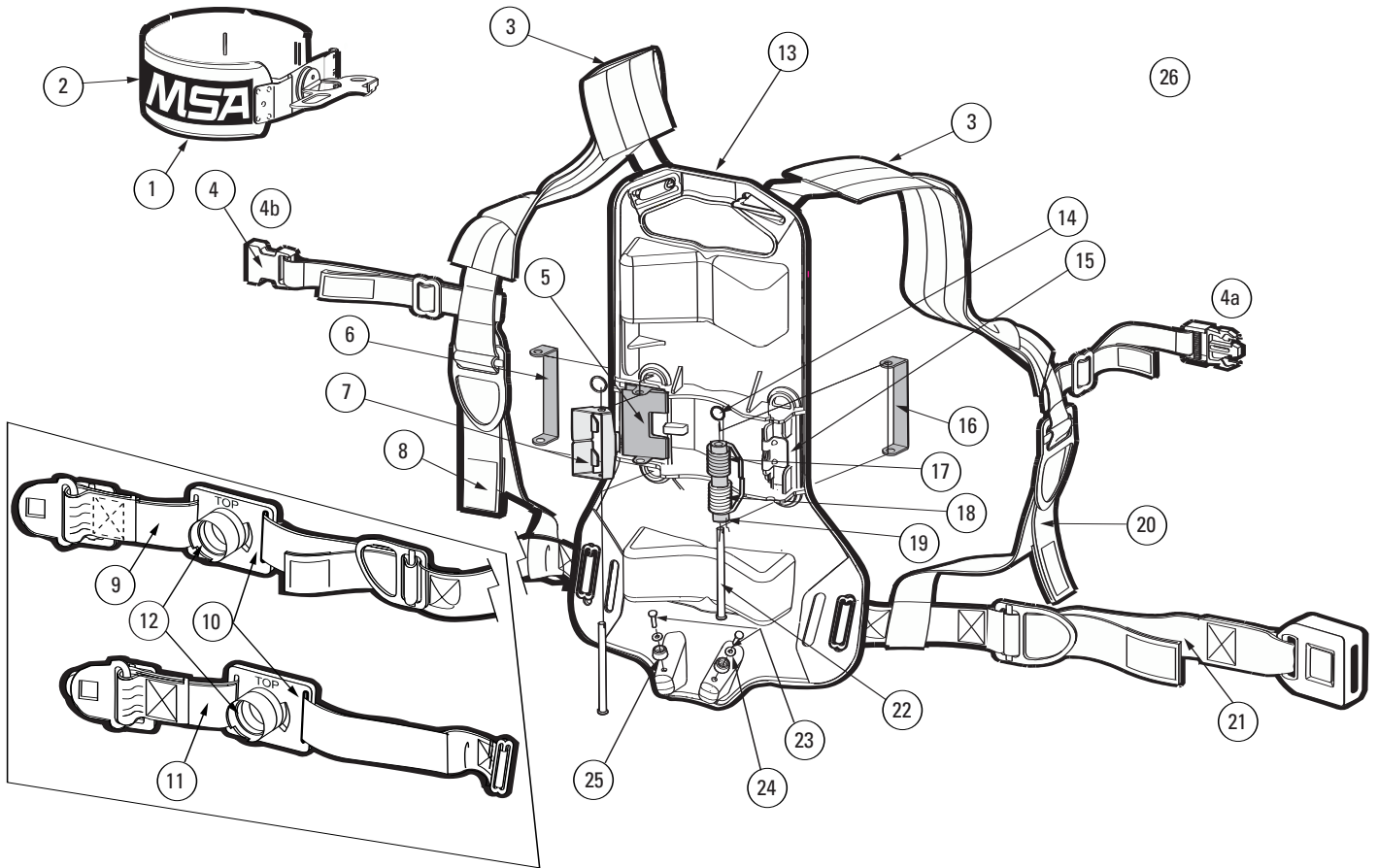


Item	P/N	Description	Item	P/N	Description
1	10050362	Cylinder Band/Latch	18	10012748	Spring
2	805430	Label	19	10005782	Spring Bushing
3	10048173	Left Shoulder Strap	20	818377	Right Pull Strap
4	10012167	Chest Strap Kit (Optional)	21	818374	Right Pull Belt
4a	818379	Right Chest Strap	22	10005950	Pin
4b	818380	Left Chest Strap	23	10048012	Screw
5	818381	Right Shoulder Strap	25	66839	Bumper
6	50785	Rivet (2 Req'd)	26	10011767	Std. Lumbar Pad (Optional - Not Shown)
7	10047893	Adjustment Bracket	27	10055350	Swiveling Lumbar Pad (Optional)
8	818378	Left Double Pull Strap	28	10047749	(Optional)
9	10025941	Left Double Pull Belt	29	10026809	Support
10	10022245	Belt Clip	30	10047748	Rubber Bearing
11	10025942	Left Single Pull Belt	31	10047751	Nut
12	10018222	O-Ring	32	10048013	Screw
13	10046842	Carrier Assembly			
14	10005952	Retaining Ring			
17	10012749	Spring			

# Vulcan™ Firehawk

## Carrier and Harness Assembly

Double Pull part number 10024152  
Single Pull part number 10024150



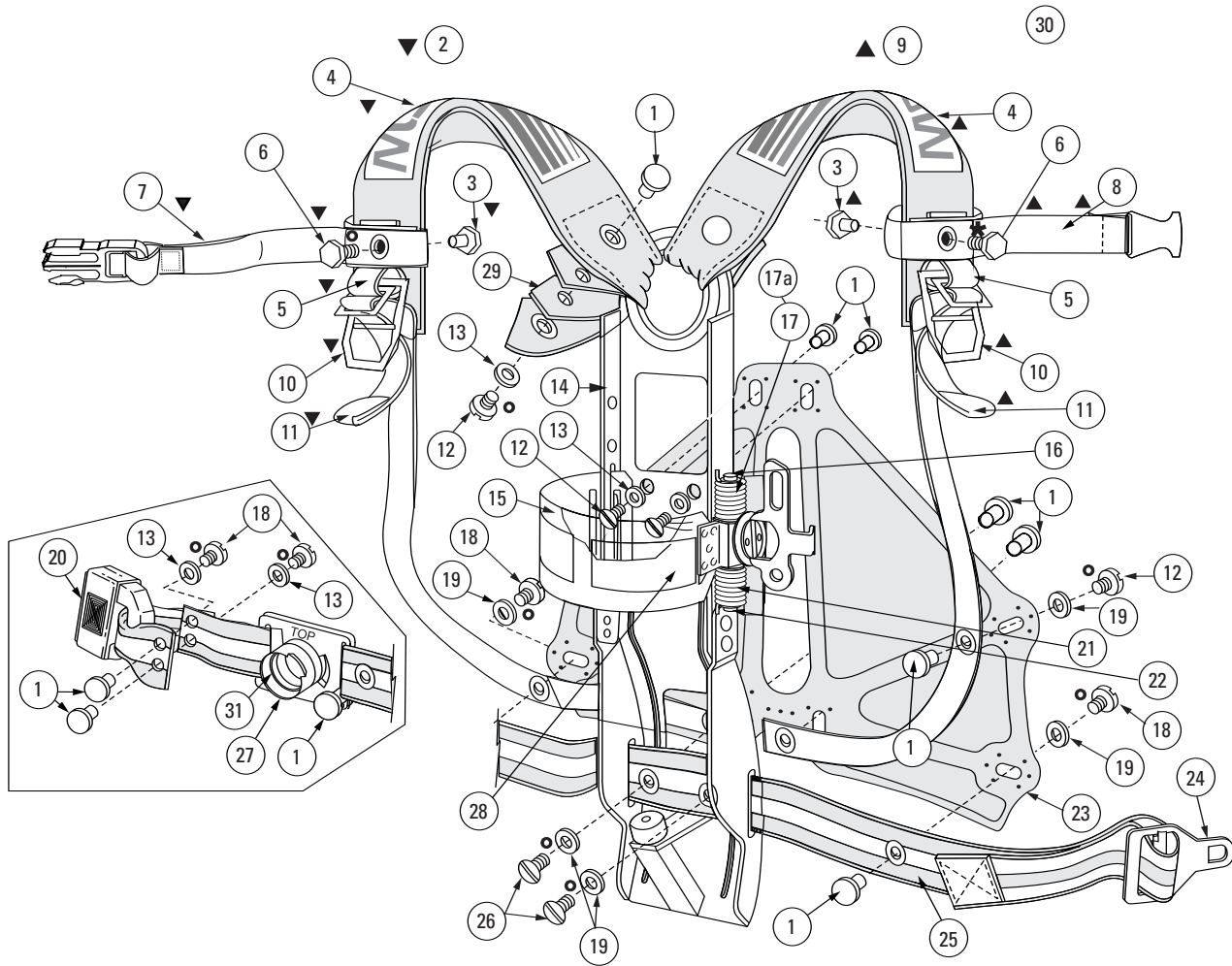
Item	P/N	Description	Item	P/N	Description
1	10006692	Cylinder Band/Latch	14	10005952	Retaining Ring (2 Req'd)
2	805430	Label	15	10003869	Clip
3	818381	Left/Right Shoulder Strap	16	10005785	Bracket
4	10012167	Chest Strap Kit (Optional)	17	10012749	Spring
4a	818379	Right Chest Strap	18	10012748	Spring
4b	818380	Left Chest Strap	19	10005782	Spring Bushing
5	10005784	Bracket Spring	20	818377	Right Pull Strap
6	10005787	Bracket Back Plate	21	818374	Right Pull Belt
7	10005783	Bracket Adjustment	22	10005950	Pin (2 Req'd)
8	818378	Left Pull Strap	23	627503	Rivet (2 Req'd)
9	10025941	Left Pull Belt (double pull)	24	10014635	Washers (2 Req'd)
10	10022245	Belt Clip	25	10014666	Bumper (2 Req'd)
11	10025942	Single Pull Belt	26	10011767	Optional Lumbar Pad (Use only with Vulcan)
12	10018222	O-Ring			
13	10066931	Carrier Assembly			



# Black Rhino™ Firehawk

## Carrier and Harness Assembly

part number 816487



● USE LOCTITE 222 (MSA P/N 29787) WHEN ASSEMBLING

Item	P/N	Description	Item	P/N	Description	Item	P/N	Description
1	66833	Tee Nut	12	65595	Screw	23	806292	Back Pad
2	816619	Left Shoulder Pad Ass'y	13	59599	Washer	24	816624	Tongue Buckle
3	489188	Nut	14	487562	Carrier	25	816670	Waist Strap
4	816617	Left/Right Shoulder Pad	15	817153	Band and Latch Assembly	26	66315	Screw
5	816627	Friction Buckle Strap Ass'y	16	638537	Push Nut Cap	27	10022245	Belt Clip
6	816623	Chest Strap Screw	17	817156	Left Spring	28	805265	Label
7	816630	Left Chest Strap Ass'y	18	66309	Screw	29	473261	Wear Pad
8	816629	Right Chest Strap Ass'y	19	58866	Washer	30	817104	Optional Lumbar Pad (use only with formed carrier)
9	10005060	Right Shoulder Pad Ass'y	20	816618	Buckle Assembly	31	10018222	O-Ring
10	816670	Friction Buckle Ass'y	21	817151	Right Spring			
11	816614	Adjusting Strap	22	817150	Spring Pin			



# Hard Case Assembly

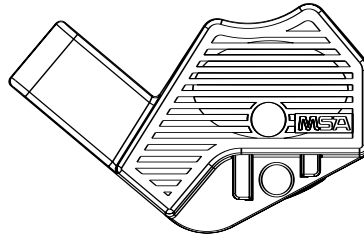
part number 492435

# Soft Case Assembly

part number 817092

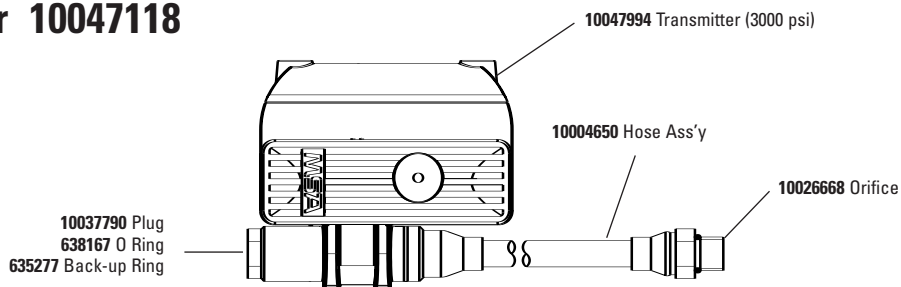
## NightFighter System Receiver

part number 10037792



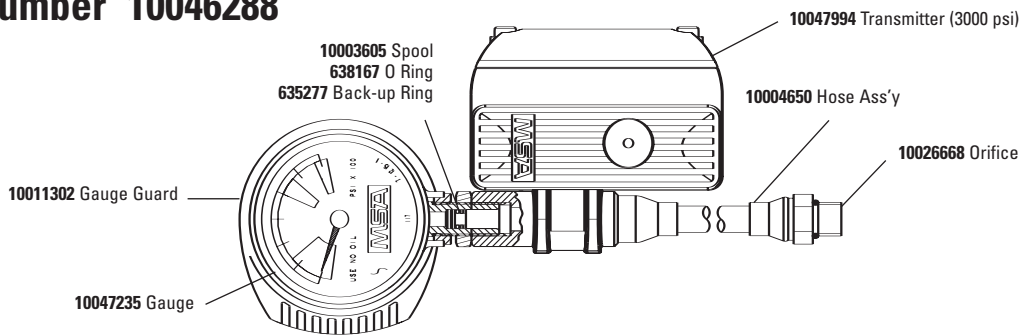
## NightFighter System Transmitter

part number 10047118



## NightFighter System w/Std. Gauge

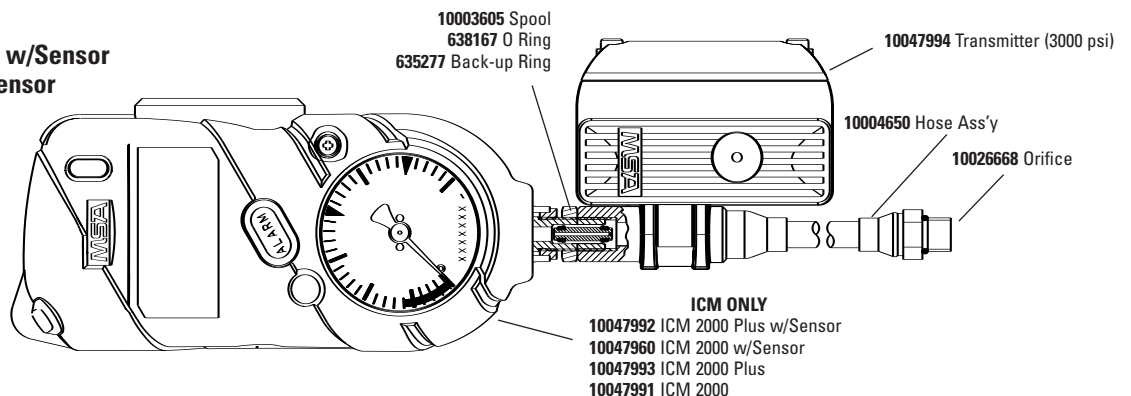
part number 10046288



## NightFighter System w/ICM's

part numbers

- 10046289 ICM 2000 Plus w/Sensor
- 10046320 ICM 2000 w/Sensor
- 10046321 ICM 2000 Plus
- 10046322 ICM 2000

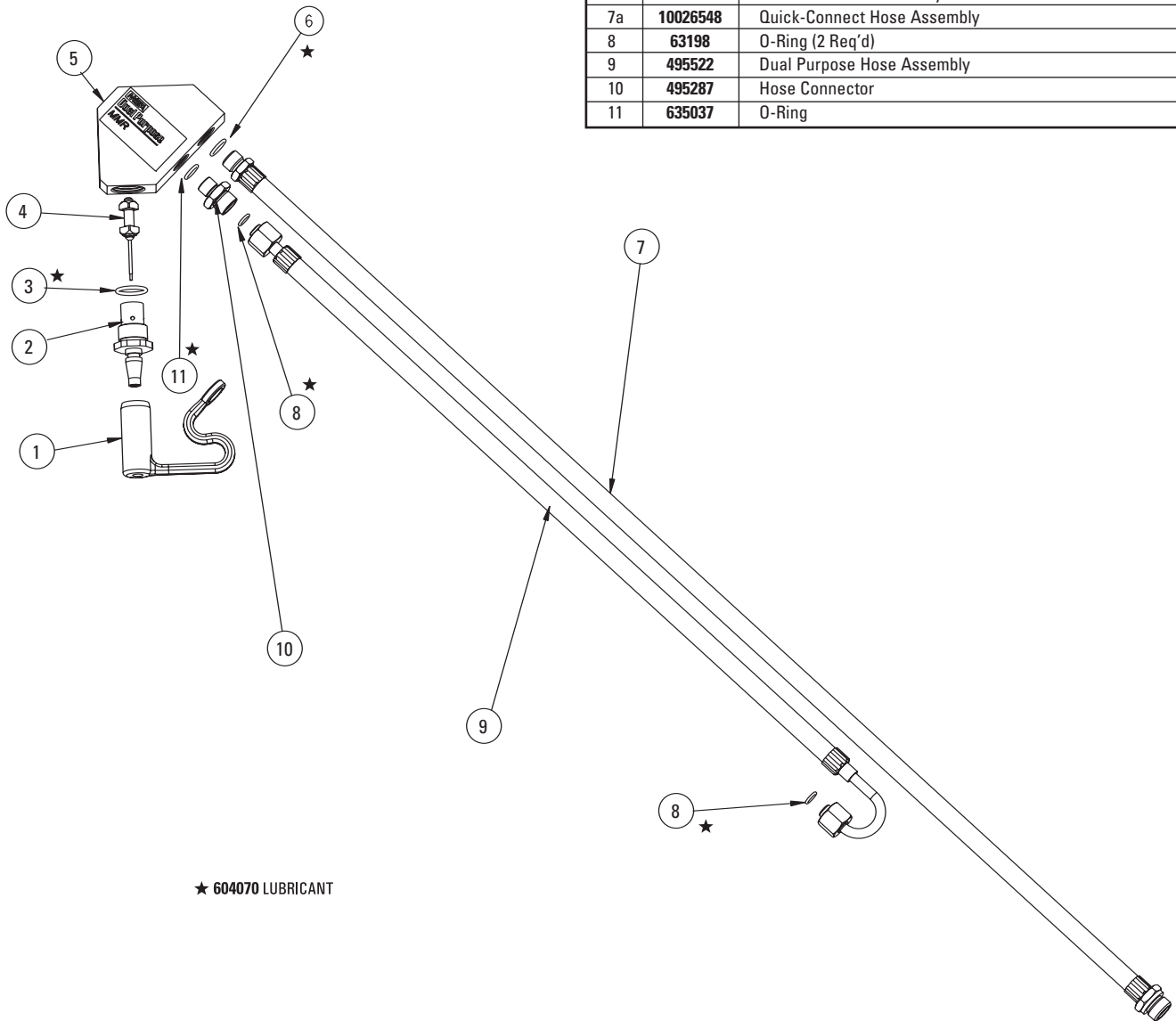


# Firehawk Dual Purpose Kit

w/Threaded Hose: P/N 10026540

w/Quick-Connect hose: P/N 10026541

Item	P/N	Description
1	800287	Vented Dust Cover
2	495286	Plunger Housing
3	631604	O-Ring
4	495520	Plunger Assembly
5	495289	Manifold
6	633776	O-Ring
7	10026547	Threaded Hose Assembly
7a	10026548	Quick-Connect Hose Assembly
8	63198	O-Ring (2 Req'd)
9	495522	Dual Purpose Hose Assembly
10	495287	Hose Connector
11	635037	O-Ring

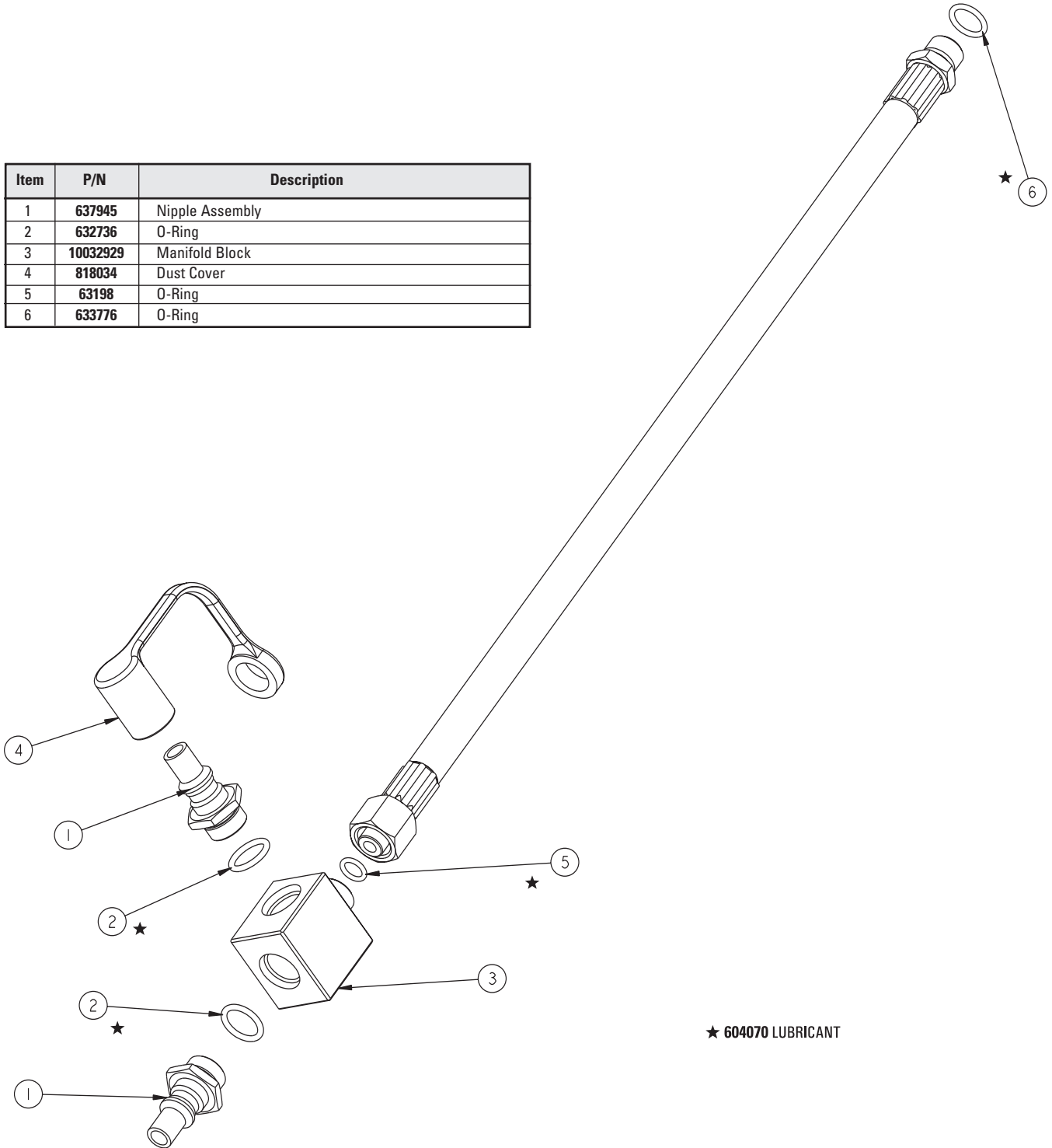


★ 604070 LUBRICANT

# Firehawk Extend-Aire Assembly

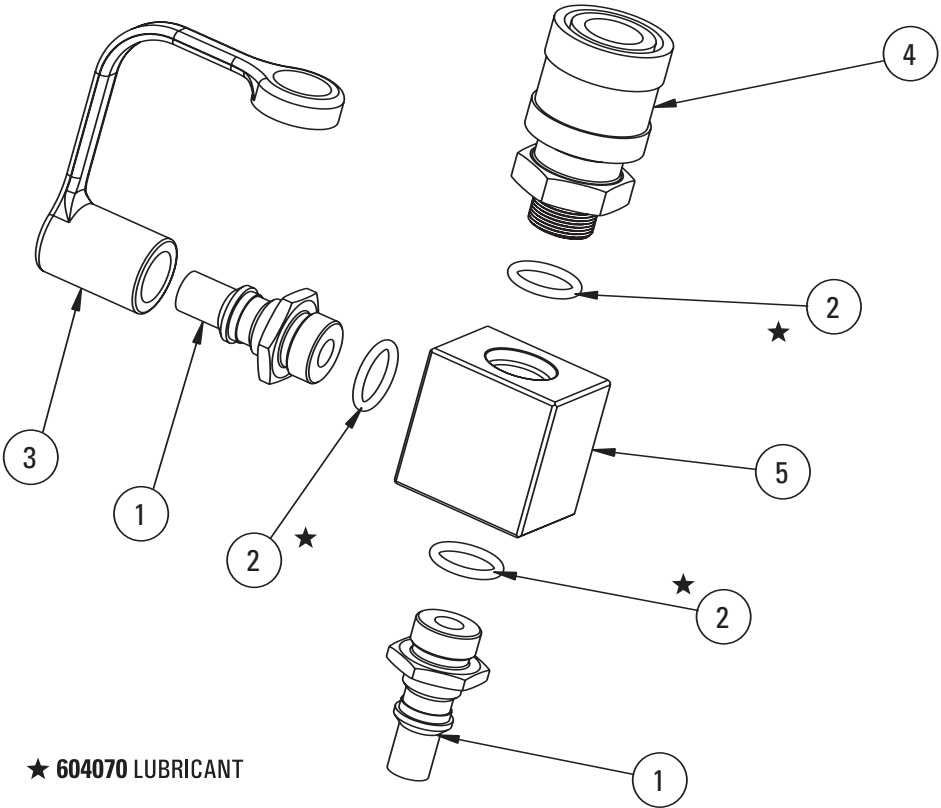
P/N 10032438

Item	P/N	Description
1	637945	Nipple Assembly
2	632736	O-Ring
3	10032929	Manifold Block
4	818034	Dust Cover
5	63198	O-Ring
6	633776	O-Ring



# Firehawk Extend-Aire Kit

w/Dual Quick-Connect: P/N 10032439



Item	P/N	Description
1	637945	Nipple Assembly
2	632736	O-Ring
3	813035	Dust Cover
4	637946	QC Coupling
5	10032929	Manifold Block





For More Information: Call (1-800-MSA-2222) or Visit Our Website at ([www.MSAnet.com](http://www.MSAnet.com))



Be Sure.  
Choose MSA.

**MINE SAFETY APPLIANCES COMPANY**  
PITTSBURGH, PENNSYLVANIA, U.S.A. 15230