

# AirHawk™ MMR Air Mask Low/High Pressure

## PARTS LIST

For More Information, call 1-800-MSA-2222 or Visit Our Website at [www.MSAnet.com](http://www.MSAnet.com)



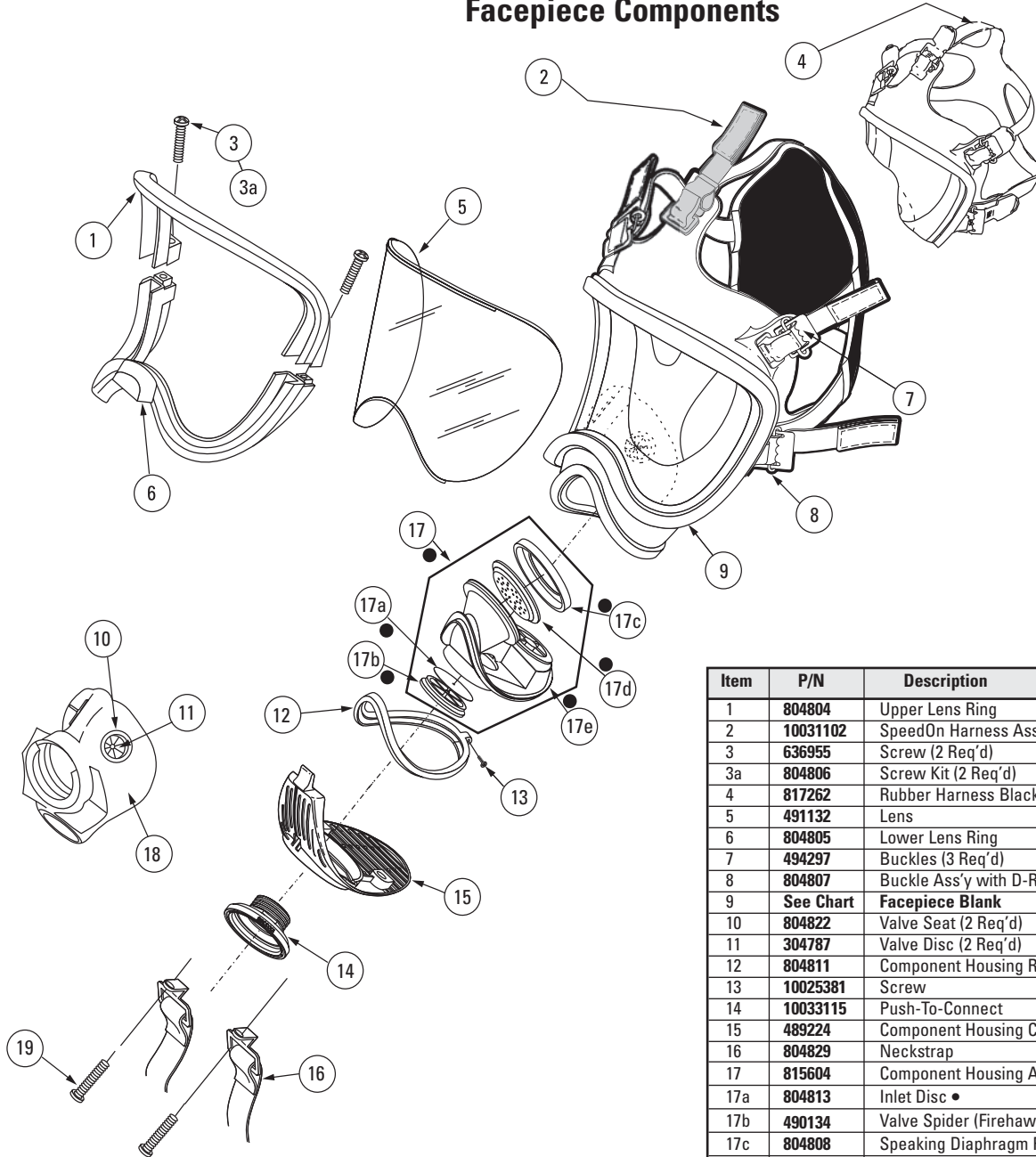
**MINE SAFETY APPLIANCES COMPANY**  
**PITTSBURGH, PENNSYLVANIA, U.S.A. 15230**

ULTRA ELITE FACEPIECE BLANK					
BLANKS SIZE			S	M	L
TYPE	MATERIAL	COLOR	(SMALL)	(MEDIUM)	(LARGE)
ULTRA ELITE	HYCAR	BLACK	805576 7-1025-1	805574 7-1025-1	805578 7-1025-1
ULTRA ELITE	SILICONE	BLACK	805581 7-1025-1	805580 7-1025-1	805582 7-1025-1

# Ultra Elite® Airhawk

pressure demand facepiece

## Facepiece Components

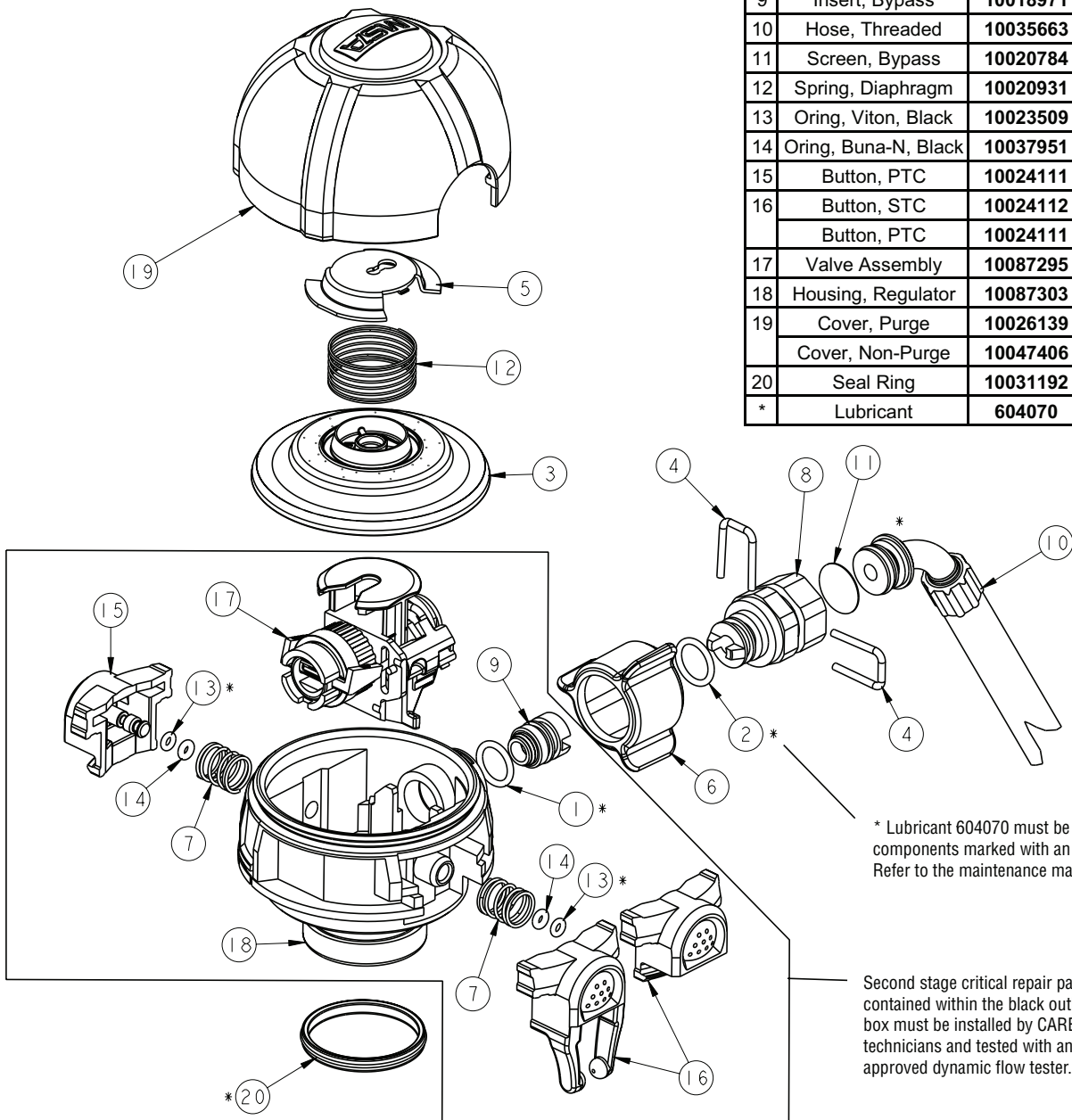


Item	P/N	Description
1	804804	Upper Lens Ring
2	10031102	SpeedOn Harness Assembly (Firehawk)
3	636955	Screw (2 Req'd)
3a	804806	Screw Kit (2 Req'd)
4	817262	Rubber Harness Black (less Buckles)
5	491132	Lens
6	804805	Lower Lens Ring
7	494297	Buckles (3 Req'd)
8	804807	Buckle Ass'y with D-Ring (2 Req'd)
9	See Chart	<b>Facepiece Blank</b>
10	804822	Valve Seat (2 Req'd)
11	304787	Valve Disc (2 Req'd)
12	804811	Component Housing Ring
13	10025381	Screw
14	10033115	Push-To-Connect
15	489224	Component Housing Cover
16	804829	Neckstrap
17	815604	Component Housing Assembly (Complete) •
17a	804813	Inlet Disc •
17b	490134	Valve Spider (Firehawk) •
17c	804808	Speaking Diaphragm Retainer •
17d	804809	Speaking Diaphragm •
17e	815605	Component Housing with Exhalation valve •
18		<b>Nosecup Assembly (with valves)</b>
18a	495188	Medium, Black
18b	495189	Large, Black
19	10033208	Screws (2 Req'd)

# FireHawk Mask Mounted Regulator

## Reg. Assy

Component			10037656	10046841	10049979	10049980
1	Oring, Silicone, Red	697453	•	•	•	•
2	Oring, Fluro., Blue	634669	•	•	•	•
3	Diaphragm, Silicone	10018540	•	•	•	•
4	U-Clip	10018547	•	•	•	•
5	Retainer, Spring	10018622	•	•		
6	Knob, Bypass	10018774	•	•	•	•
7	Spring, Button	10018965	•	•	•	•
8	Body, Bypass	10018966	•	•	•	•
9	Insert, Bypass	10018971	•	•	•	•
10	Hose, Threaded	10035663	•	•	•	•
11	Screen, Bypass	10020784	•	•	•	•
12	Spring, Diaphragm	10020931	•	•	•	•
13	Oring, Viton, Black	10023509	•	•	•	•
14	Oring, Buna-N, Black	10037951	•	•	•	•
15	Button, PTC	10024111	•	•	•	•
16	Button, STC	10024112		•		•
	Button, PTC	10024111	•		•	
17	Valve Assembly	10087295	•	•	•	•
18	Housing, Regulator	10087303	•	•	•	•
19	Cover, Purge	10026139	•	•		
	Cover, Non-Purge	10047406			•	•
20	Seal Ring	10031192	•	•	•	•
*	Lubricant	604070	•	•	•	•



\* Lubricant 604070 must be applied to components marked with an asterick. Refer to the maintenance manual for instructions.

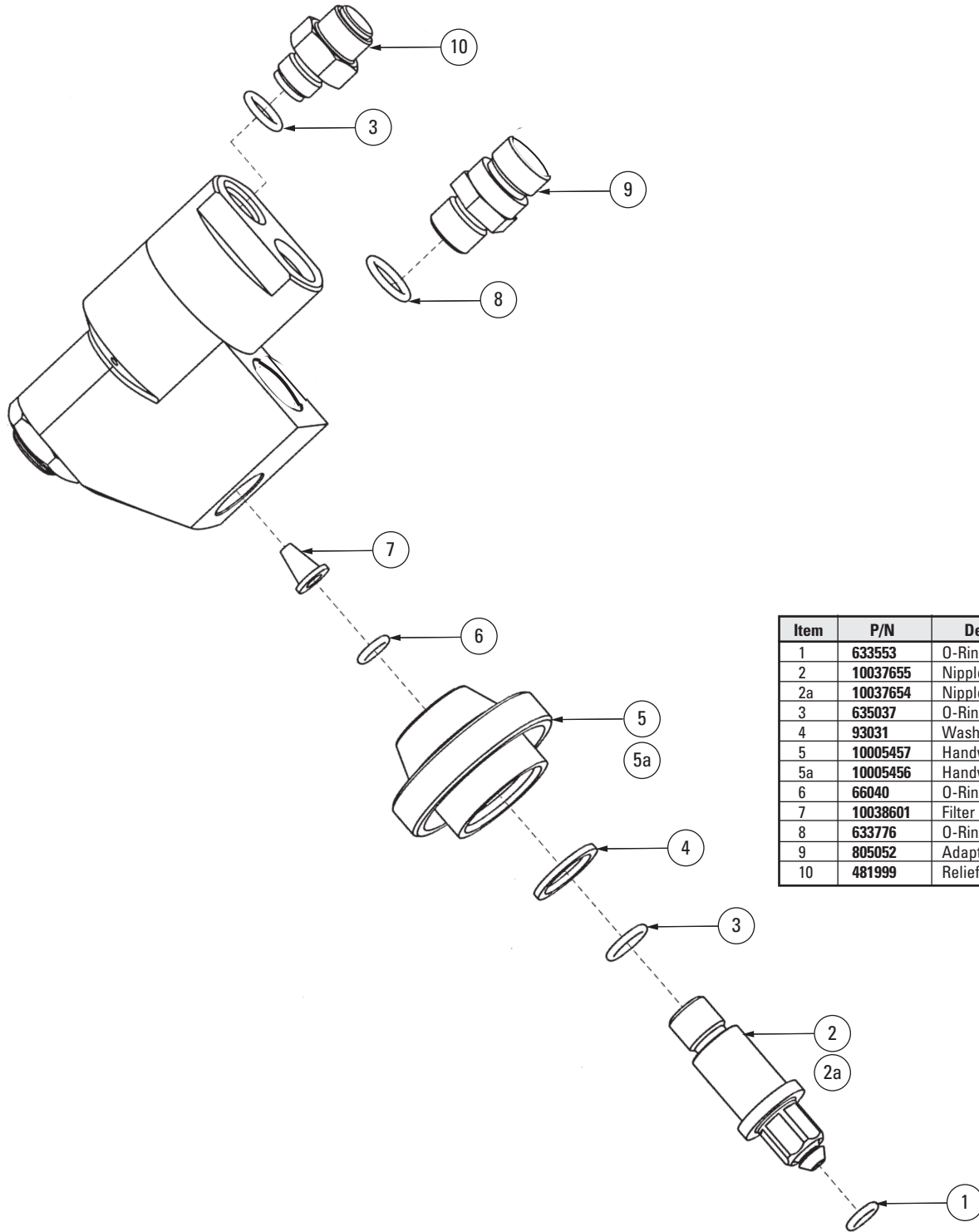
Second stage critical repair parts contained within the black outlined box must be installed by CARE technicians and tested with an MSA approved dynamic flow tester.



# Airhawk First Stage Regulator Assembly

part number 10037781 (4500 psig)

part number 10037780 (2216 psig)



Item	P/N	Description
1	633553	O-Ring
2	10037655	Nipple (4500 psig)
2a	10037654	Nipple (2216 psig)
3	635037	O-Ring
4	93031	Washer
5	10005457	Handwheel (4500 psig)
5a	10005456	Handwheel (2216 psig)
6	66040	O-Ring
7	10038601	Filter
8	633776	O-Ring
9	805052	Adapter
10	481999	Relief Valve

# Cylinder and Valve Assembly

488894 Cylinder Valve Assembly for 2216 PSIG Cylinder

488899 Cylinder Valve Assembly for 4500 PSIG Cylinder

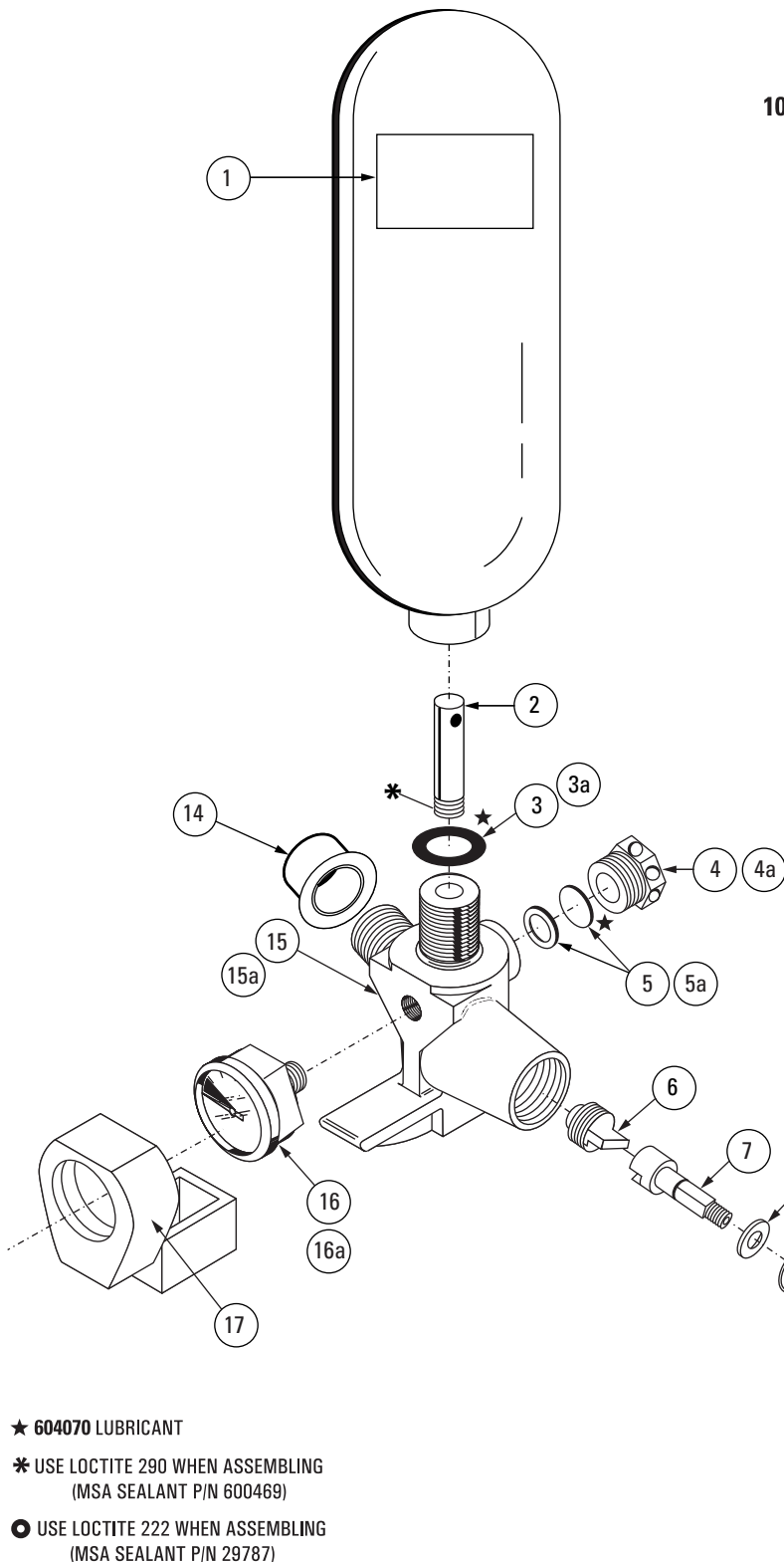
**807587** 45 CU. FT. Carbon (4500 psig)  
Model 7-947-1 (Rated 30 Minutes)

**10035644** 66 CU. FT. Carbon (4500 psig)  
Model 7-1348-1 (Rated 30 Minutes)

**807588** 88 CU. FT. Carbon (4500 psig)  
Model 7-1537-1 (Rated 60 Minutes)

**809872** 45 CU. FT. Aluminum (2216 psig)  
Model 5-978-1 (Rated 30 Minutes)

**807586** 45 CU. FT. Carbon (2216 psig)  
Model 5-447-1 (Rated 30 Minutes)



Item	P/N	Description
1	804922	Warning Label
2	80416	Cylinder Valve Inlet Tube
3	68542	O-Ring (2216 psig)
3a	630926	O-Ring (4500 psig)
4	68550	Safety Plug (2216 psig)
4a	473254	Safety Plug (4500 psig)
5	482225	Disc and Gasket Kit (2216 psig)
5a	482226	Safety Plug (4500 psig)
6	488858	Valve Insert Assembly
7	488859	Valve Stem
8	488860	Valve Stem Washer
9	628976	O-Ring
10	488862	Packing Gland
11	83831	Spring
12	83731	Locknut
13	91728	Handwheel
14	94906	Protector Cap
15	488772	Valve Body (2216 psig)
15a	488771	Valve Body (4500 psig)
16	95278	Air Pressure Gauge (2216 psig)
16a	473250	Air Pressure Gauge (4500 psig)
17	801131	Gauge Guard

★ 604070 LUBRICANT

\* USE LOCTITE 290 WHEN ASSEMBLING  
(MSA SEALANT P/N 600469)

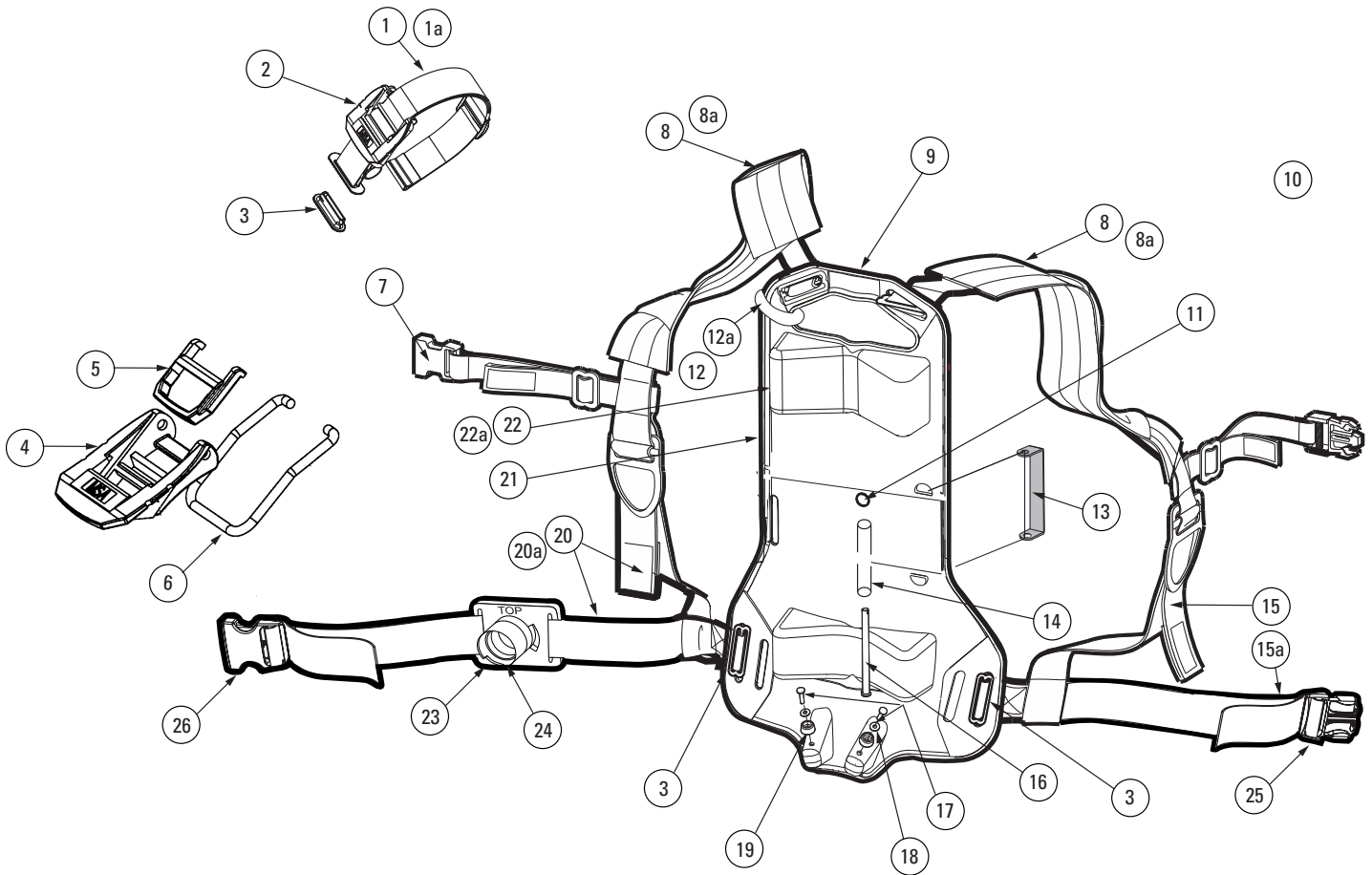
● USE LOCTITE 222 WHEN ASSEMBLING  
(MSA SEALANT P/N 29787)

# Airhawk

## Carrier and Harness Assembly

Nylon part number 10037276

Kevlar part number 10037277

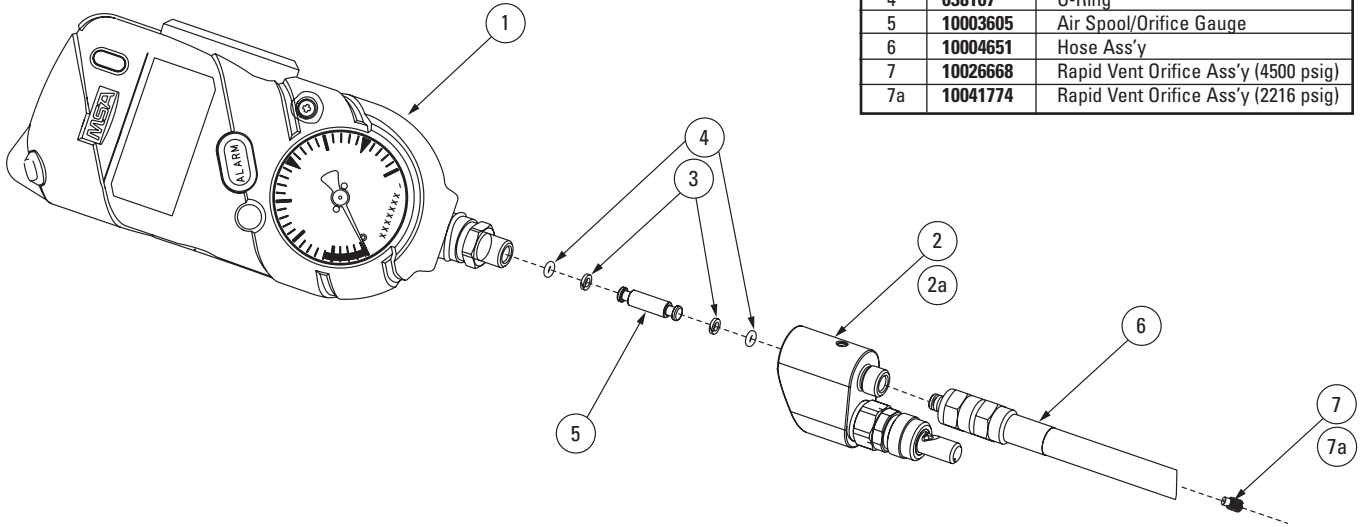


Item	P/N	Description	Item	P/N	Description
1	10042344	Nylon Cylinder Band	15	10037258	Right Pull Strap Nylon
1a	10042345	Kevlar Cylinder Band	15a	10037259	Right Pull Strap Kevlar
2	10026846	Cylinder Band Buckle	16	10005950	Pin
3	10030617	Grommet (3 Req'd)	17	627503	Rivet (2 Req'd)
4	10026846	Buckle	18	10014635	Washers (2 Req'd)
5	10026847	Slide, Buckle	19	10014666	Bumper (2 Req'd)
6	10026848	Loop, Buckle	20	10037256	Left Pull Strap Nylon
7	10038691	Check Strap Nylon Kit (optional)	20a	10037257	Left Pull Strap Kevlar
8	10037254	Nylon Left/Right Shoulder Strap	21	10037784	Backplate
8a	10037255	Kevlar Left/Right Shoulder Strap	22	10040727	I.D. Label Nylon
9	10030616	Grommet	22a	10040728	I.D. Label Kevlar
10	1011767	Lumbar Pad (use only with Vulcan)(optional)	23	10022245	Belt Clip
11	10005952	Retaining Ring	24	10018222	O-Ring
12	10040423	Hose Strap Nylon	25	10040450	Male Buckle
12a	10040424	Hose Strap Kevlar	26	10040451	Female Buckle
13	10005785	Bracket	27	10037253	Shoulder Pads (not shown, option)
14	10037270	Bushing (2 Req'd)			



# Airhawk ICM Unit

Item	P/N	Description
1	see chart	ICM Swivel Connection
2	10037783	Whistle Manifold Ass'y (4500 psig)
2a	10037782	Whistle Manifold Ass'y (2216 psig)
3	635277	Ring, Backup
4	638167	O-Ring
5	10003605	Air Spool/Orifice Gauge
6	10004651	Hose Ass'y
7	10026668	Rapid Vent Orifice Ass'y (4500 psig)
7a	10041774	Rapid Vent Orifice Ass'y (2216 psig)

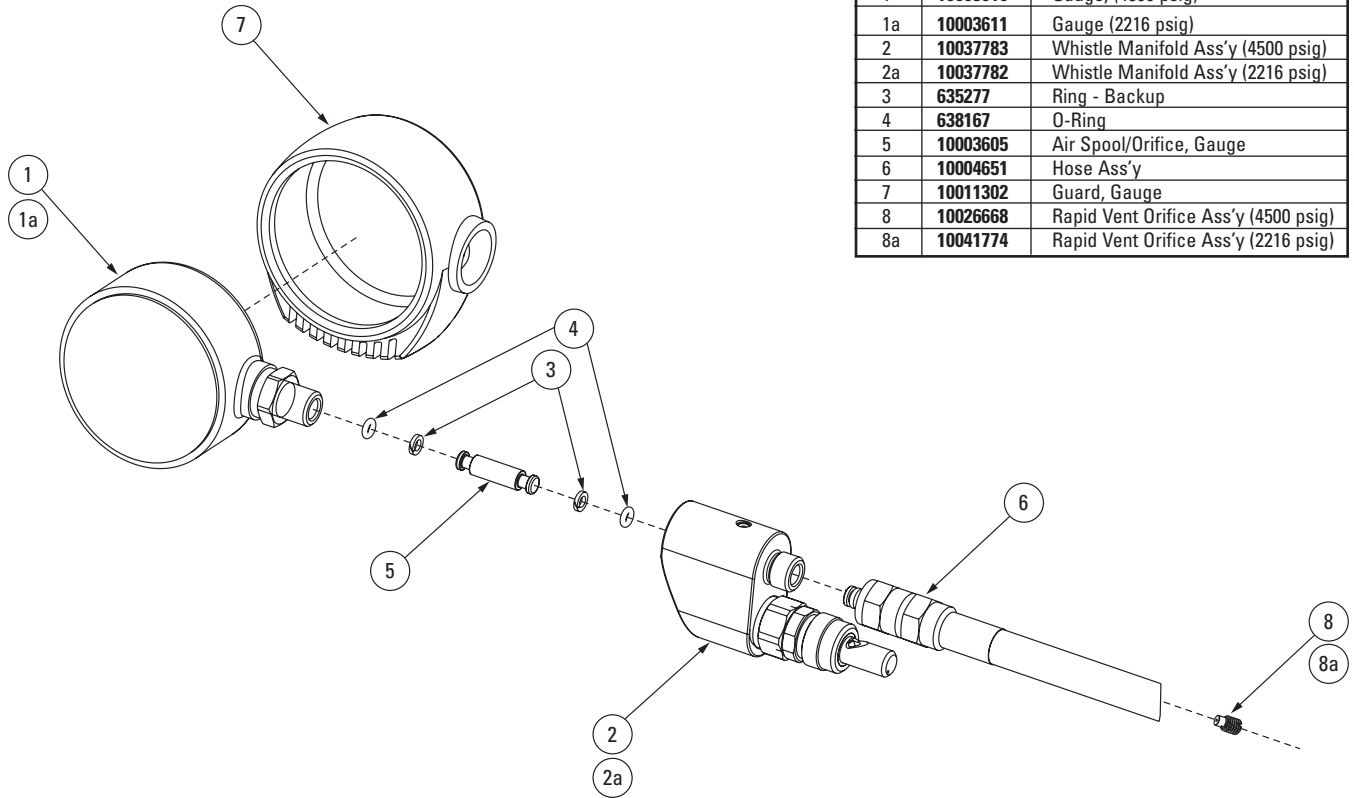


Assembly	Type	ICM Unit
10038284	Whistle, ICM 2000 Plus Unit (2216 psig)	10022317
10038285	Whistle, ICM 2000 Unit (2216 psig)	10022313
10038286	Whistle, ICM 2000 Plus Unit (4500 psig)	10022319
10038287	Whistle, ICM 2000 Unit (4500 psig)	10022315
10038288	Whistle, ICM 2000 Plus Unit Thermister (2216 psig)	10022316
10038289	Whistle, ICM 2000 Unit Thermister (2216 psig)	10022312
10038290	Whistle, ICM 2000 Plus Unit Thermistor (4500 psig)	10022318
10038291	Whistle, ICM 2000 Unit Thermistor (4500 psig)	10022314

# Airhawk Gauge and Alarm Assembly

10038282 Gauge and Whistle Assembly (2216 psig)

10038283 Gauge and Whistle Assembly (4500 psig)



Item	P/N	Description
1	10003610	Gauge, (4500 psig)
1a	10003611	Gauge (2216 psig)
2	10037783	Whistle Manifold Ass'y (4500 psig)
2a	10037782	Whistle Manifold Ass'y (2216 psig)
3	635277	Ring - Backup
4	638167	O-Ring
5	10003605	Air Spool/Orifice, Gauge
6	10004651	Hose Ass'y
7	10011302	Guard, Gauge
8	10026668	Rapid Vent Orifice Ass'y (4500 psig)
8a	10041774	Rapid Vent Orifice Ass'y (2216 psig)

**Hard Case Assembly**  
part number 492435

**Soft Case Assembly**  
part number 816725

For More Information, call 1-800-MSA-2222 or Visit Our Website at [www.MSAnet.com](http://www.MSAnet.com)



**MINE SAFETY APPLIANCES COMPANY**  
**PITTSBURGH, PENNSYLVANIA, U.S.A. 15230**