

BlackHawk™ MMR Air Mask Low/High Pressure

PARTS LIST

For More Information, call 1-800-MSA-2222 or Visit Our Website at www.MSAnet.com



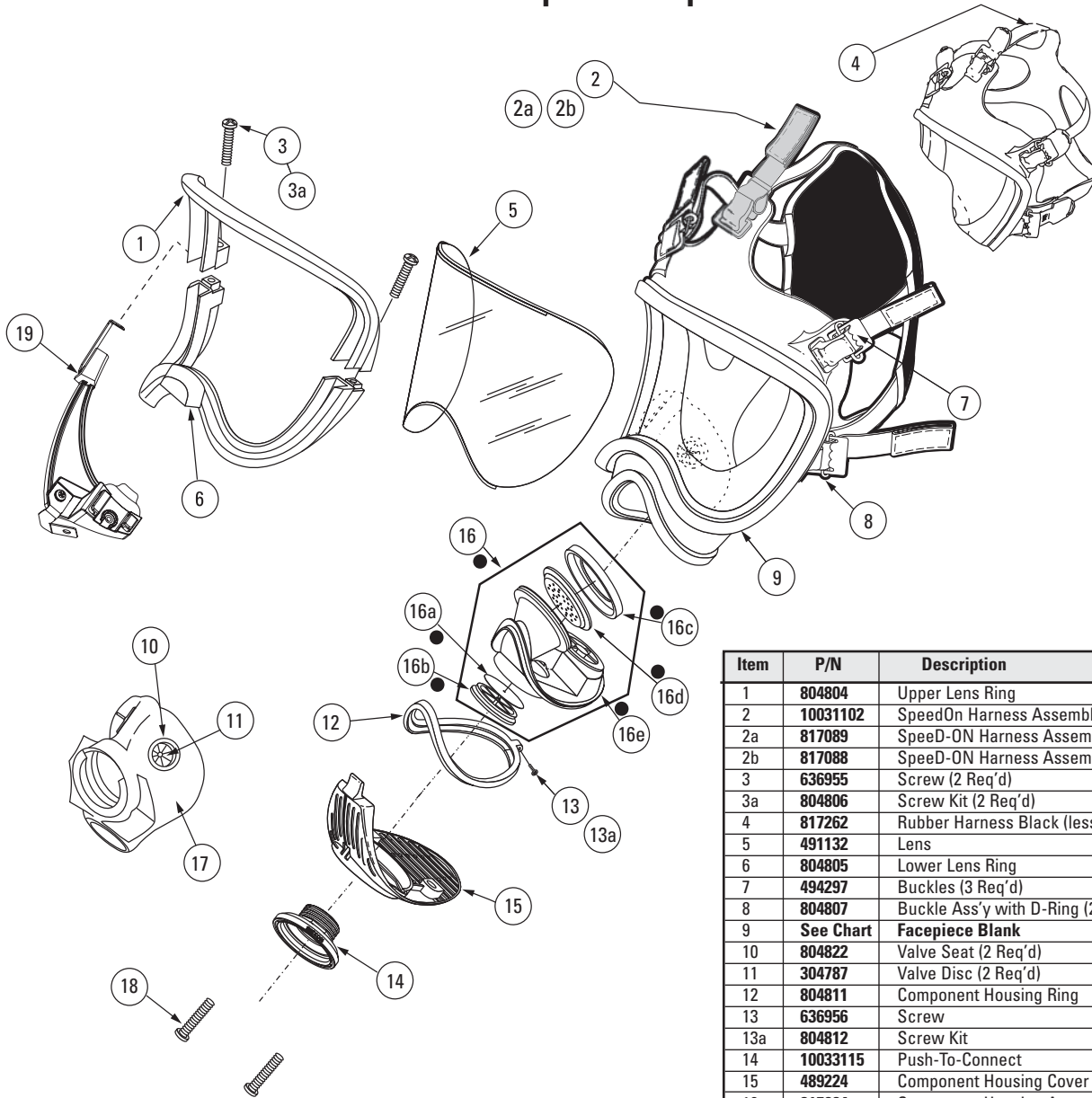
MINE SAFETY APPLIANCES COMPANY
PITTSBURGH, PENNSYLVANIA, U.S.A. 15230

ULTRA ELITE FACEPIECE BLANK					
BLANKS SIZE			S	M	L
TYPE	MATERIAL	COLOR	(SMALL)	(MEDIUM)	(LARGE)
ULTRA ELITE	HYCAR	BLACK	805576 7-1025-1	805574 7-1025-1	805578 7-1025-1
ULTRA ELITE	SILICONE	BLACK	805581 7-1025-1	805580 7-1025-1	805582 7-1025-1

Ultra Elite® BlackHawk

pressure demand facepiece

Facepiece Components

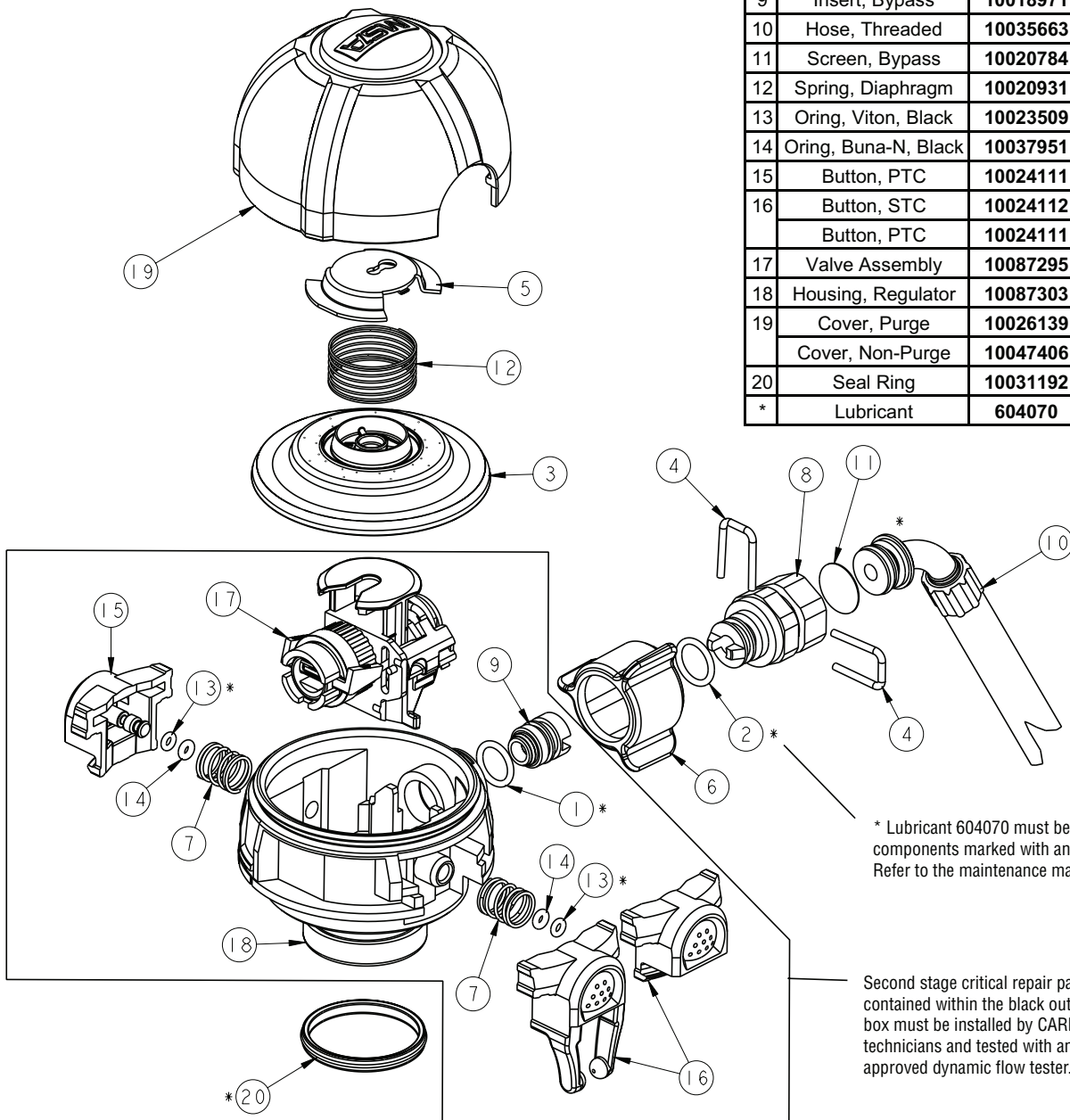


Item	P/N	Description
1	804804	Upper Lens Ring
2	10031102	SpeedOn Harness Assembly (Firehawk)
2a	817089	Speed-ON Harness Assembly (with 3 buckles)
2b	817088	Speed-ON Harness Assembly (less buckles)
3	636955	Screw (2 Req'd)
3a	804806	Screw Kit (2 Req'd)
4	817262	Rubber Harness Black (less Buckles)
5	491132	Lens
6	804805	Lower Lens Ring
7	494297	Buckles (3 Req'd)
8	804807	Buckle Ass'y with D-Ring (2 Req'd)
9	See Chart	Facepiece Blank
10	804822	Valve Seat (2 Req'd)
11	304787	Valve Disc (2 Req'd)
12	804811	Component Housing Ring
13	636956	Screw
13a	804812	Screw Kit
14	10033115	Push-To-Connect
15	489224	Component Housing Cover
16	815604	Component Housing Assembly (Complete) •
16a	804813	Inlet Disc •
16b	490134	Valve Spider (Firehawk) •
16c	804808	Speaking Diaphragm Retainer •
16d	804809	Speaking Diaphragm •
16e	815605	Component Housing with Exhalation valve •
17		Nosecup Assembly (with valves)
17a	495188	Medium, Black
17b	495189	Large, Black
18	10033208	Screws (2 Req'd)
19	10037791	NightFighter Bracket
20	804638	Spectacle Kit

FireHawk Mask Mounted Regulator

Reg. Assy

Component	Part Number	Reg. Assy			
		10037656	10046841	10049979	10049980
1 Oring, Silicone, Red	697453	•	•	•	•
2 Oring, Fluro., Blue	634669	•	•	•	•
3 Diaphragm, Silicone	10018540	•	•	•	•
4 U-Clip	10018547	•	•	•	•
5 Retainer, Spring	10018622	•	•		
6 Knob, Bypass	10018774	•	•	•	•
7 Spring, Button	10018965	•	•	•	•
8 Body, Bypass	10018966	•	•	•	•
9 Insert, Bypass	10018971	•	•	•	•
10 Hose, Threaded	10035663	•	•	•	•
11 Screen, Bypass	10020784	•	•	•	•
12 Spring, Diaphragm	10020931	•	•	•	•
13 Oring, Viton, Black	10023509	•	•	•	•
14 Oring, Buna-N, Black	10037951	•	•	•	•
15 Button, PTC	10024111	•	•	•	•
16 Button, STC	10024112		•		•
16 Button, PTC	10024111	•		•	
17 Valve Assembly	10087295	•	•	•	•
18 Housing, Regulator	10087303	•	•	•	•
19 Cover, Purge	10026139	•	•		
19 Cover, Non-Purge	10047406			•	•
20 Seal Ring	10031192	•	•	•	•
* Lubricant	604070	•	•	•	•



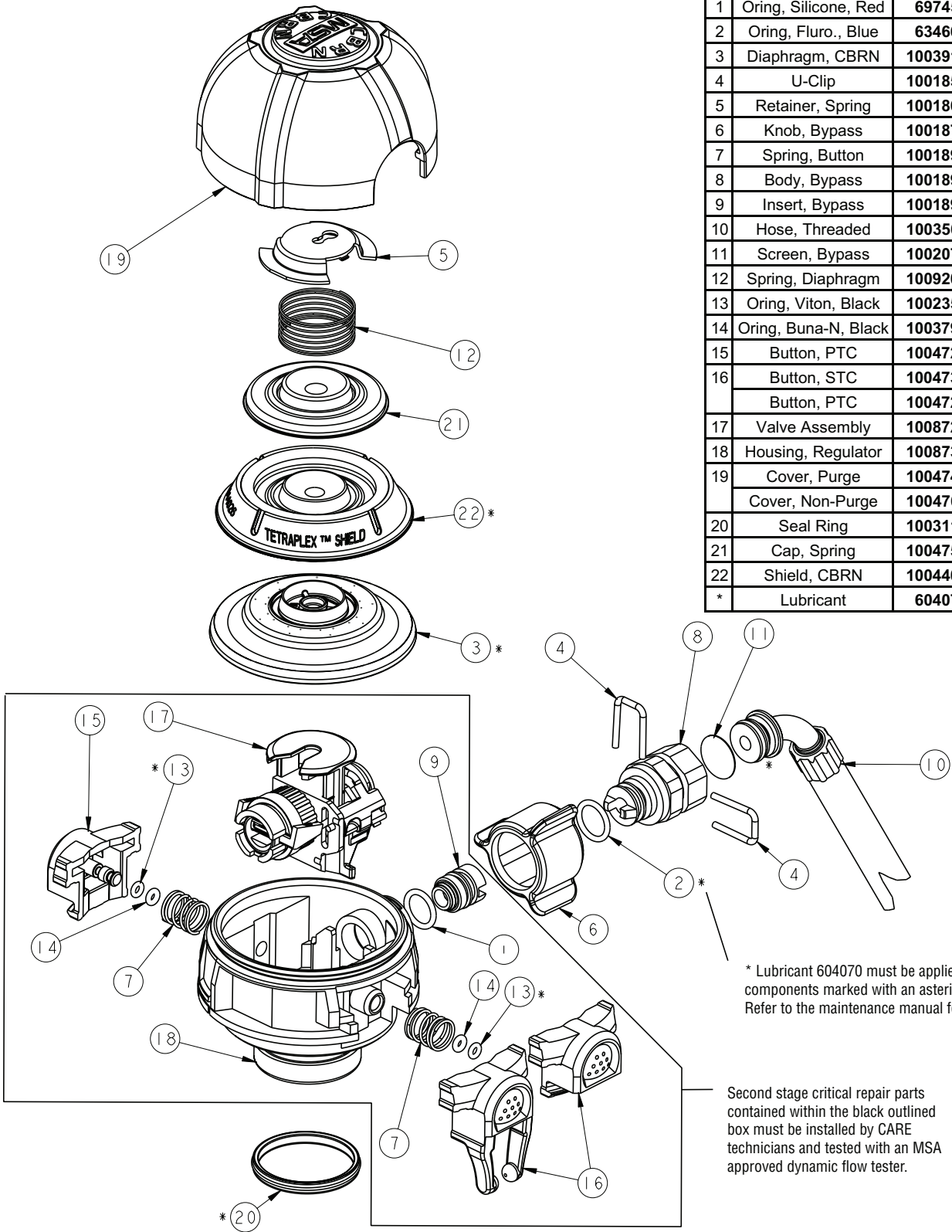
* Lubricant 604070 must be applied to components marked with an asterisk. Refer to the maintenance manual for instructions.

Second stage critical repair parts contained within the black outlined box must be installed by CARE technicians and tested with an MSA approved dynamic flow tester.

FireHawk Mask Mounted Regulator

Reg.	
10060982	
10060983	

Component				
1	Oring, Silicone, Red	697453	•	•
2	Oring, Fluro., Blue	634669	•	•
3	Diaphragm, CBRN	10039172	•	•
4	U-Clip	10018547	•	•
5	Retainer, Spring	10018622		
6	Knob, Bypass	10018774	•	•
7	Spring, Button	10018965	•	•
8	Body, Bypass	10018966	•	•
9	Insert, Bypass	10018971	•	•
10	Hose, Threaded	10035663	•	
11	Screen, Bypass	10020784	•	•
12	Spring, Diaphragm	10092041	•	•
13	Oring, Viton, Black	10023509	•	•
14	Oring, Buna-N, Black	10037951	•	•
15	Button, PTC	10047238	•	•
16	Button, STC	10047331		•
	Button, PTC	10047238	•	
17	Valve Assembly	10087295	•	•
18	Housing, Regulator	10087303	•	•
19	Cover, Purge	10047441		
	Cover, Non-Purge	10047664	•	•
20	Seal Ring	10031192	•	•
21	Cap, Spring	10047528	•	•
22	Shield, CBRN	10044026	•	•
*	Lubricant	604070	•	•



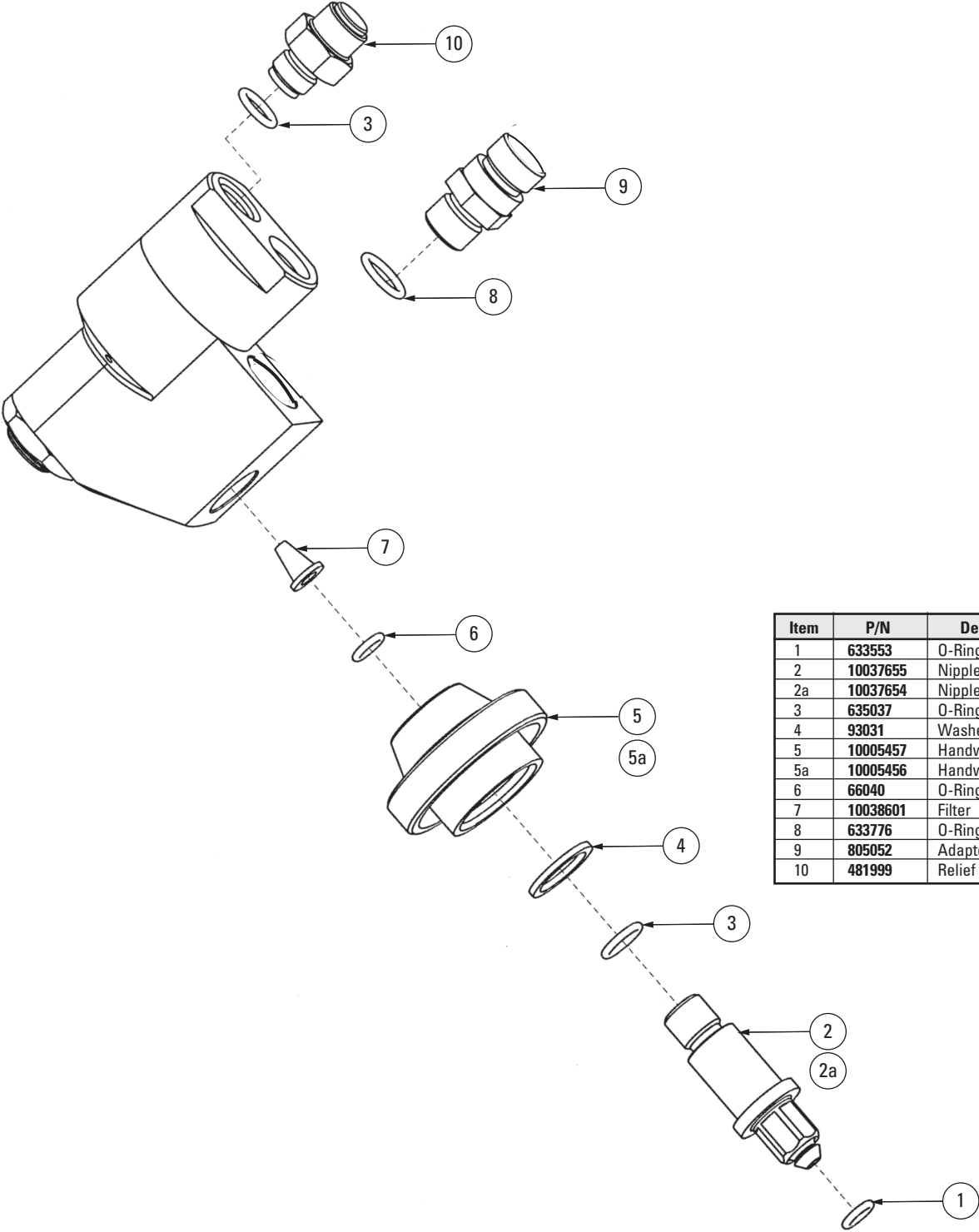
* Lubricant 604070 must be applied to components marked with an asterisk. Refer to the maintenance manual for instructions.

Second stage critical repair parts contained within the black outlined box must be installed by CARE technicians and tested with an MSA approved dynamic flow tester.

BlackHawk First Stage Regulator Assembly

part number 10037781 (4500 psig)

part number 10037780 (2216 psig)



Item	P/N	Description
1	633553	O-Ring
2	10037655	Nipple (4500 psig)
2a	10037654	Nipple (2216 psig)
3	635037	O-Ring
4	93031	Washer
5	10005457	Handwheel (4500 psig)
5a	10005456	Handwheel (2216 psig)
6	66040	O-Ring
7	10038601	Filter
8	633776	O-Ring
9	805052	Adapter
10	481999	Relief Valve

Cylinder and Valve Assembly

488894 Cylinder Valve Assembly for 2216 PSIG Cylinder

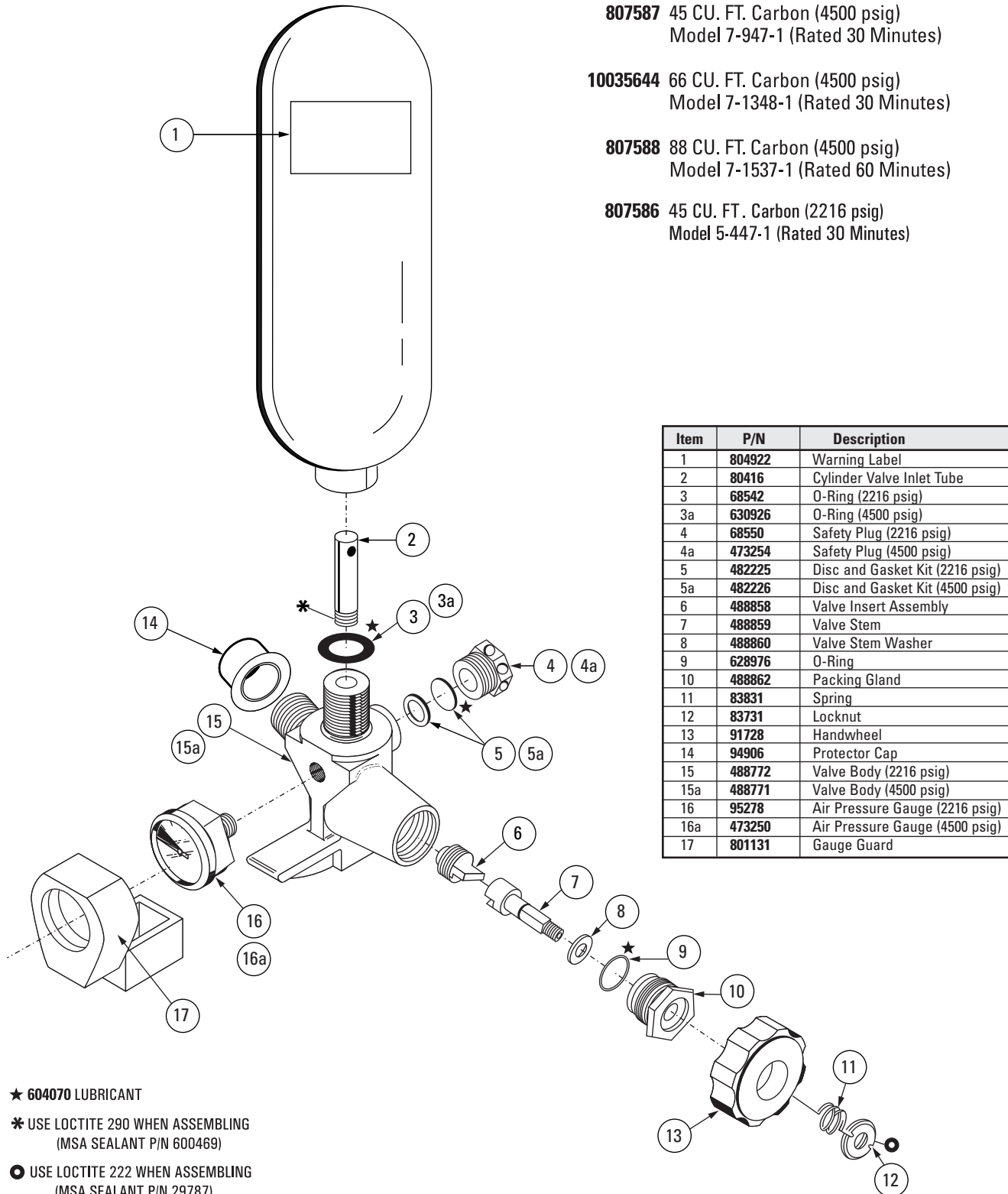
488899 Cylinder Valve Assembly for 4500 PSIG Cylinder

807587 45 CU. FT. Carbon (4500 psig)
Model 7-947-1 (Rated 30 Minutes)

10035644 66 CU. FT. Carbon (4500 psig)
Model 7-1348-1 (Rated 30 Minutes)

807588 88 CU. FT. Carbon (4500 psig)
Model 7-1537-1 (Rated 60 Minutes)

807586 45 CU. FT. Carbon (2216 psig)
Model 5-447-1 (Rated 30 Minutes)



Item	P/N	Description
1	804922	Warning Label
2	80416	Cylinder Valve Inlet Tube
3	68542	O-Ring (2216 psig)
3a	630926	O-Ring (4500 psig)
4	68550	Safety Plug (2216 psig)
4a	473254	Safety Plug (4500 psig)
5	482225	Disc and Gasket Kit (2216 psig)
5a	482226	Disc and Gasket Kit (4500 psig)
6	488858	Valve Insert Assembly
7	488859	Valve Stem
8	488860	Valve Stem Washer
9	628976	O-Ring
10	488862	Packing Gland
11	83831	Spring
12	83731	Locknut
13	91728	Handwheel
14	94906	Protector Cap
15	488772	Valve Body (2216 psig)
15a	488771	Valve Body (4500 psig)
16	95278	Air Pressure Gauge (2216 psig)
16a	473250	Air Pressure Gauge (4500 psig)
17	801131	Gauge Guard

★ 604070 LUBRICANT

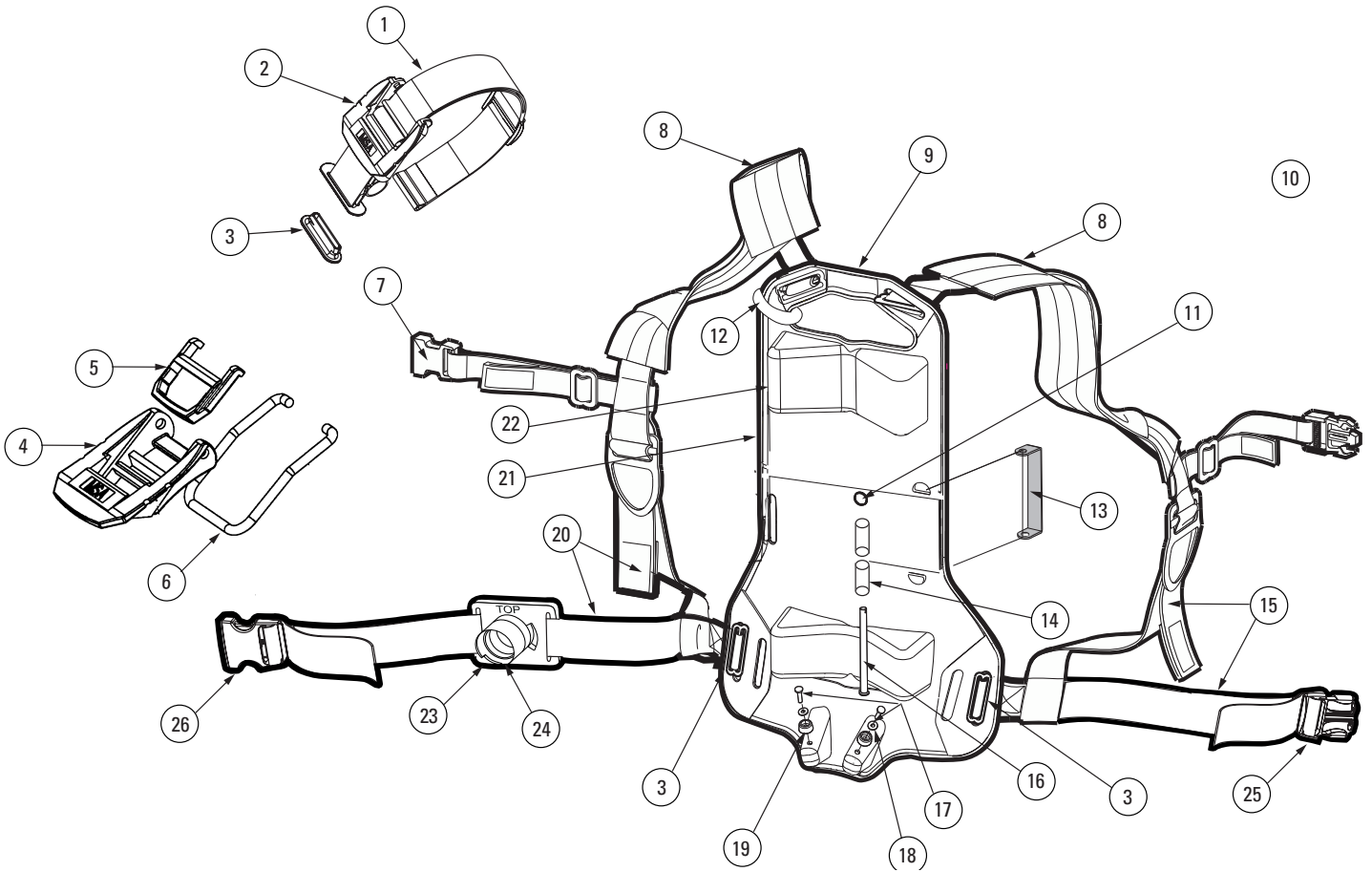
* USE LOCTITE 290 WHEN ASSEMBLING
(MSA SEALANT P/N 600469)

● USE LOCTITE 222 WHEN ASSEMBLING
(MSA SEALANT P/N 29787)

BlackHawk

Carrier and Harness Assembly

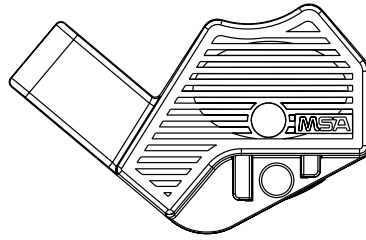
Kevlar part number 10037277



Item	P/N	Description	Item	P/N	Description
1	10042345	Kevlar Cylinder Band	15	10037259	Right Pull Strap Kevlar
2	10026846	Cylinder Band Buckle	16	10005950	Pin
3	10030617	Grommet (3 Req'd)	17	627503	Rivet (2 Req'd)
4	10026846	Buckle	18	10014635	Washers (2 Req'd)
5	10026847	Slide, Buckle	19	10014666	Bumper (2 Req'd)
6	10026848	Loop, Buckle	20	10037257	Left Pull Strap Kevlar
7	10038691	Check Strap Nylon Kit (optional)	21	10037784	Backplate
8	10037255	Kevlar Left/Right Shoulder Strap	22	10040728	I.D. Label Kevlar
9	10030616	Grommet	23	10022245	Belt Clip
10	1011767	Lumbar Pad (use only with Vulcan)(optional)	24	10018222	O-Ring
11	10005952	Retaining Ring	25	10040450	Male Buckle
12	10040424	Hose Strap Kevlar	26	10040451	Female Buckle
13	10005785	Bracket	27	10037253	Shoulder Pads (not shown, option)
14	10037270	Bushing (2 Req'd)			

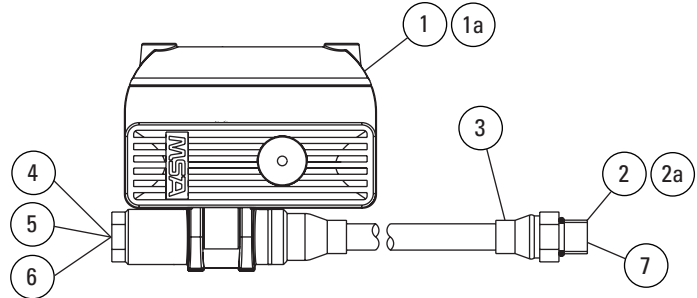
NightFighter System Receiver

part number 10043615



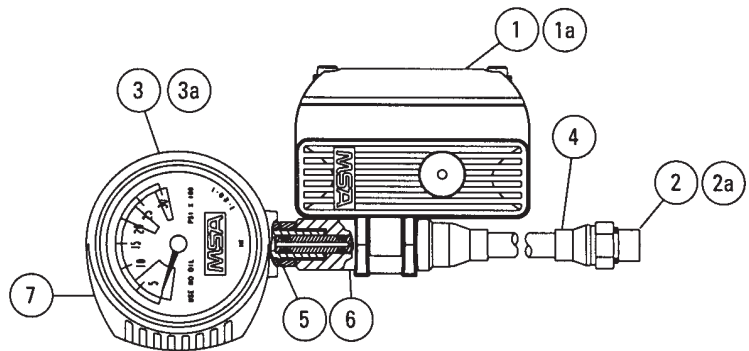
BlackHawk NightFighter System Transmitter

Item	P/N	Description
1	10036997	Transmitter (2215 psig)
1a	10036995	Transmitter (4500 psig)
2	10041774	Orifice (2216 psig)
2a	10026668	Orifice (4500 psig)
3	10004651	Hose Ass'y
4	10037790	Plug
5	638167	O-Ring
6	635277	Back-up Ring
7	10026668	Rapid Vent Orifice Ass'y



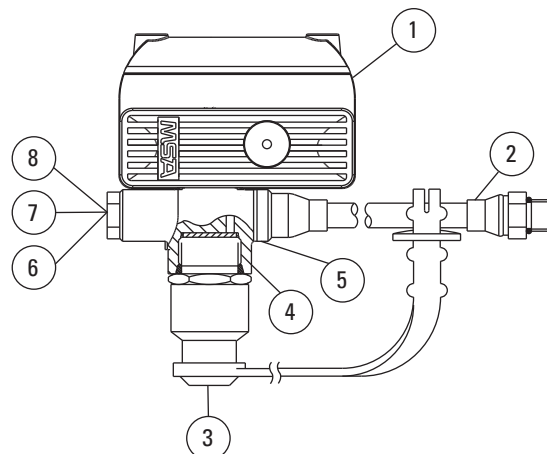
BlackHawk NightFighter System w/Std. Gauge

Item	P/N	Description
1	10036997	Transmitter (2215 psig)
1a	10036995	Transmitter (4500 psig)
2	10041774	Orifice (2216 psig)
2a	10026668	Orifice (4500 psig)
3	10003611	Gauge (2216 psig)
3a	10003610	Gauge (4500 psig)
4	10004651	Hose Assembly
5	638167	O-Ring
6	635277	Back-up Ring
7	100036051	Air Spool Orifice
8	10011302	Gauge Guard
9	10026668	Rapid Vent Orifice Ass'y



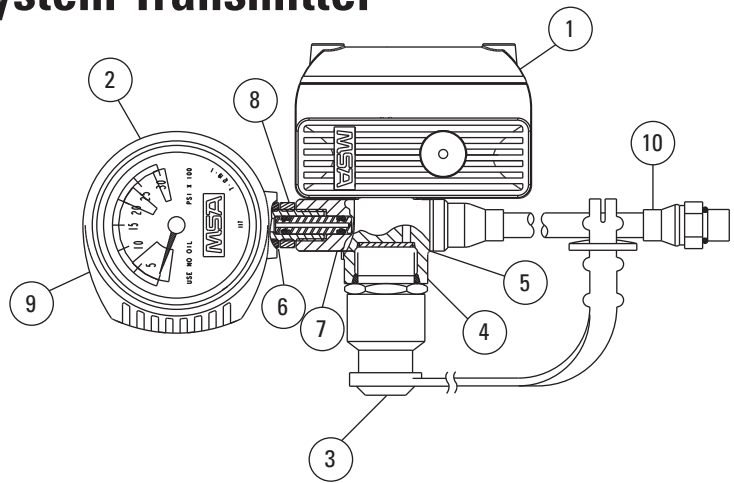
BlackHawk NightFighter Transmitter w/Quick Fill

Item	P/N	Description
1	10036996	Transmitter (4500 psig)
2	10004651	Hose Assembly
3	801164	Dust Cover
4	485070	Quick Fill Coupling
5	485574	Quick Fill Filter
6	10037790	Plug
7	638167	O-Ring
8	635277	Back-up Ring



BlackHawk NightFighter System Transmitter w/Gauge w/Quick Fill

Item	P/N	Description
1	10036996	Transmitter (4500 psig)
2	10003610	Gauge (4500 psig)
3	801164	Dust Cover
4	485070	Quick Fill Coupling
5	485574	Quick Fill Filter
6	638167	O-Ring
7	635277	Back-up Ring
8	10003605	Air Spool Orifice
9	1011302	Gauge Guard
10	10004651	Hose Assembly



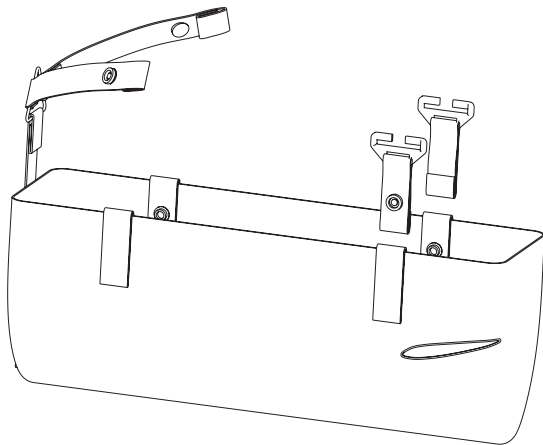
BlackHawk Cylinder Shroud Assembly

part number 10041062 (2216 psig, 30 minute, carbon)

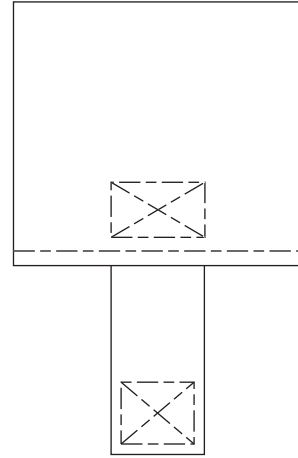
part number 10041063 (4500 psig, 30 minute, carbon)

part number 10041065 (4500 psig, 45 minute low profile, carbon)

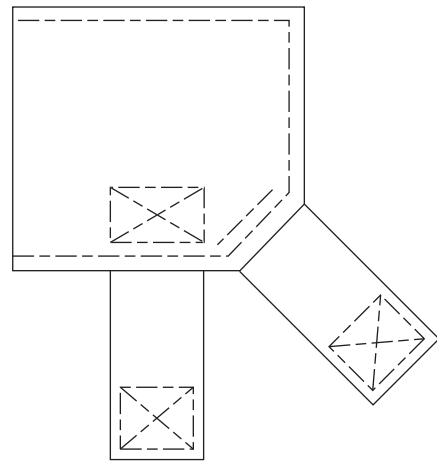
part number 10041066 (4500 psig, 60 minute, carbon)



BlackHawk Transmitter Shroud
part number 10043410



BlackHawk Transmitter w/Quick Fill Shroud
part number 10043411



Hard Case Assembly
part number 492435

Soft Case Assembly
part number 816725

For More Information, call 1-800-MSA-2222 or Visit Our Website at www.MSAnet.com



MINE SAFETY APPLIANCES COMPANY
PITTSBURGH, PENNSYLVANIA, U.S.A. 15230