

Lung Governed Demand Valve

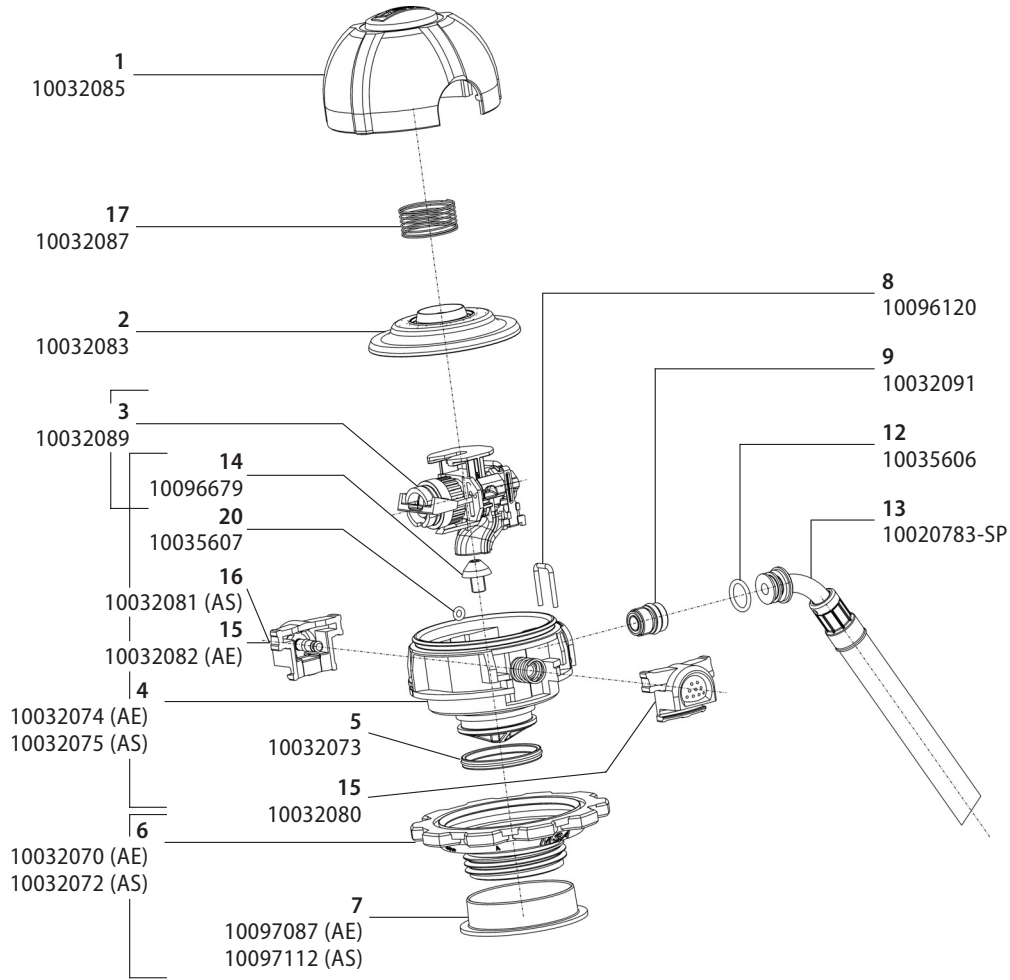
AutoMaXX-N, -AE, -AS, -AS-C and -ESA

Order Catalog/Components and Spare Parts

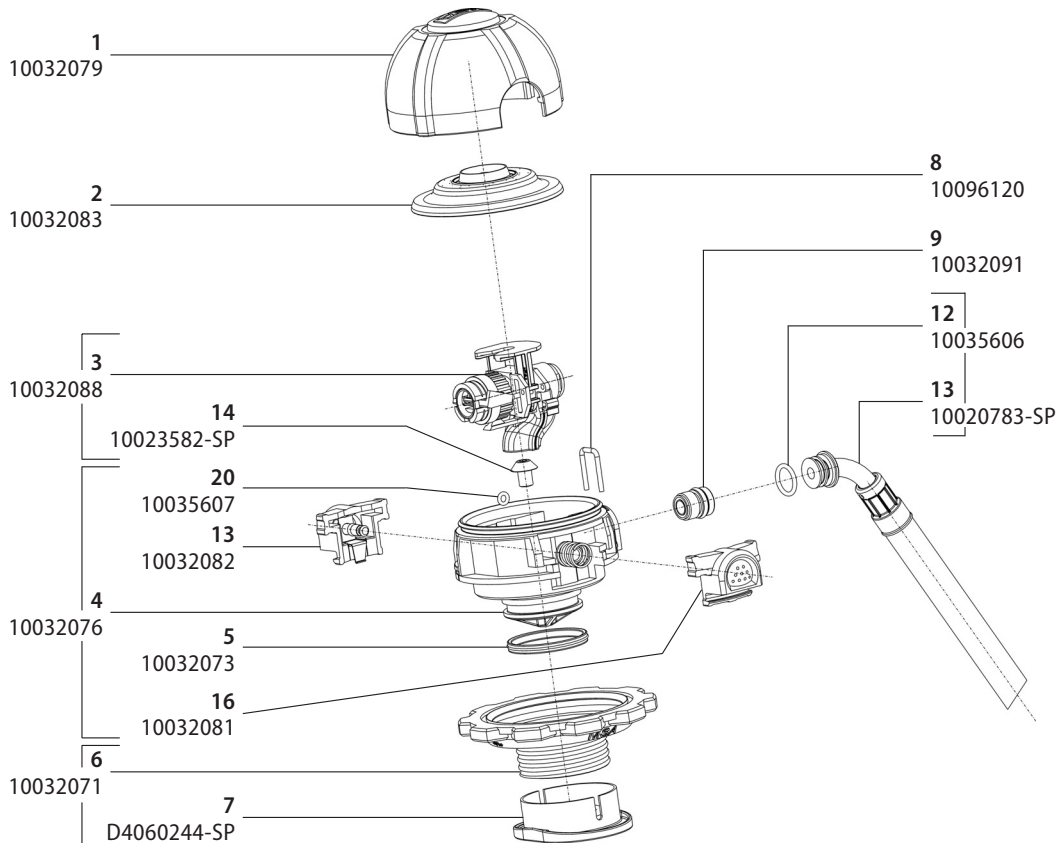
No.	Description	Part No.
	AutoMaXX-N, complete	10023686
	AutoMaXX-AE, complete	10023687
	AutoMaXX-AS, complete	10023688
	AutoMaXX-AS-C, complete	10023689
	AutoMaXX-ESA, complete	10043464
	AutoMaXX-AS-CBRN, complete	10069702
	AutoMaXX-AS-B-CBRN short	10098544
1	Protective Cap AE/AS/AS-C	10032085
	Protective Cap N	10032079
2	Diaphragm (pack of 5)	10032083
3	Valve system AE/AS/AS-C/ESA	10032089
	Valve system N	10032088
4	Housing AE	10032074
	Housing AS/AS-C	10032075
	Housing N	10032076
	Housing ESA	10067483
5	Gasket (pack of 5) -AE, -AS, -AS-C, N	10032073
6	Handwheel AE	10032070
	Adapter AS	10032072
	Handwheel AS-C	10032078
	Handwheel N	10032071
7	Cap AS (Pack of 10)	10097112
	Cap AE/AS-C (Pack of 10)	D0097087
	Cap N (Pack of 10)	D4060244-SP
	Cap ESA (Pack of 10)	10097099
8	AutoMaXX U-Clip (Bypass) (Pack of 5)	10096120
9	Valve screw	10032091
10	O-ring 9,5 2 x 1,78 (Pack of 10) for valve screw (not shown)	10055345
11	O-Ring 7,0 x 1,2 (Pack of 10) for valve screw (not shown)	10055344
12	O-Ring 10,82 x 1,78 (Pack of 5) for medium pressure line	10035606
13	AutoMaXX Hose, Assy, EU, spare	10020783-SP
13 a)	Medium Pressure Line-G-500, AutoMaXX, SP	10073072-SP
14	AutoMaXX AE/AS Cone (pack of 5)	10096679
	Flow cone N/ESA (pack of 5)	10023582-SP
15	Button black AE/N	10032082
16	Button black, AS/N	10032081
17	Button black ESA	10067486
18	Button red AE/AS/AS-C	10032080
19	Button red ESA	10067484
20	Hold ring 3 x 1,5 (for button) (pack of 10)	10035607
21	O-Ring 2,5 x 1,5 red (pack of 5), for all buttons (not shown)	10047615
22	Positive pressure spring AE/AS/AS-C /ESA	1003208

No.	Description	Part No.
23	Overhaul set AE/AS/AS-C consisting of: Valve system AE/AS/AS-C O-ring 10,82 x 1,78, silicone, blue O-ring 7 x 1,2 O-ring 9,52 x 1,78 O-ring 2,5 x 1,5 O-ring 3 x 1,5 Gasket	10032077
24	Overhaul set N consisting of: Valve system N O-ring 10,82 x 1,78, silicone, blue O-ring 7 x 1,2 O-ring 9,52 x 1,78 O-ring 2,5 x 1,5 O-ring 3 x 1,5 Gasket	10034632
25	Overhaul set ESA consisting of: Valve system AE/AS/AS-C/ESA O-ring 10,82 x 1,78, silicone, blue O-ring 7 x 1,2 O-ring 9,52 x 1,78 O-ring 2,5 x 1,5 O-ring 3 x 1,5	10096346
Accessories regulator (not shown)		
26	Grease	10032084
27	Check adapter line	10034364
28	Test adapter AutoMaXX	10031901
29	Test adapter ESA	10037962
30	Caliper lever height	10035369
Accessories face mask (not shown)		
31	Adapter AS	10032072
32	Adapter ESA, incl. O-ring and sealing disk	10037519
33	Tool for push to connect adapter	10035756
34	Leak test adapter for AS-connection	10035659
35	Leak test adapter for ESA-connection	D2055754
36	Mask test adapter AS	10035720
37	Mask test adapter ESA	10041189

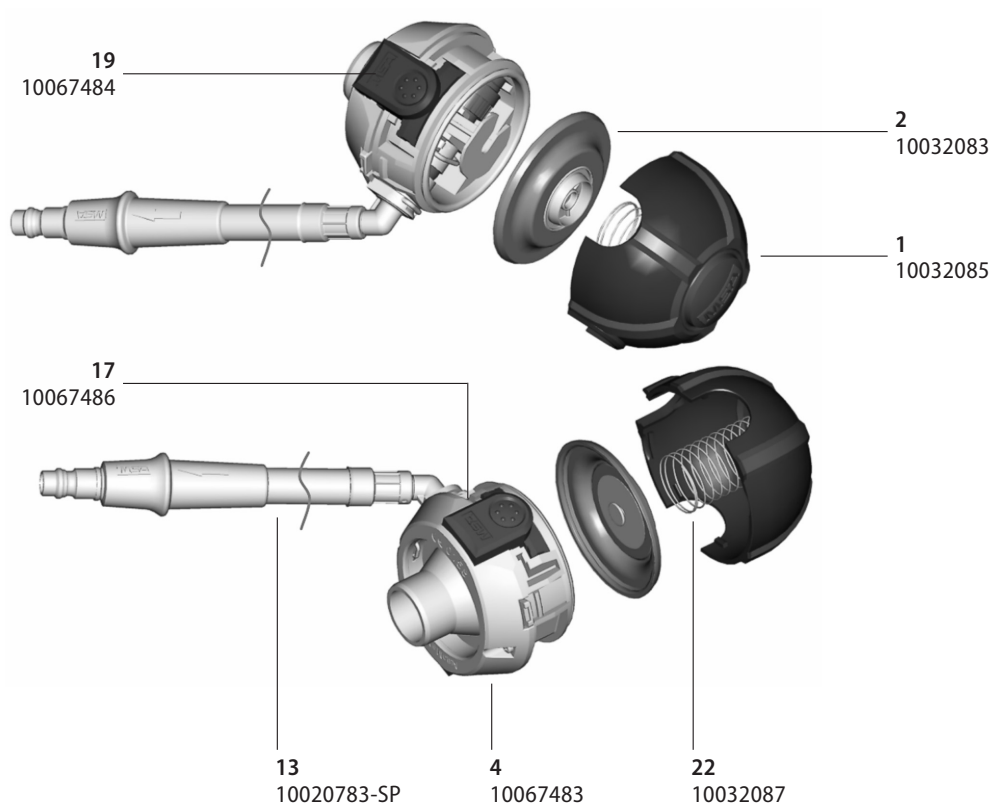
Components and Spare Parts AutoMaXX-AE/-AS/-AS-C



Components and Spare Parts AutoMaXX-N



Differing Components and Spare Parts AutoMaXX-ESA



MSA EUROPE Regional Head Offices & Great Britain (www.msa-europe.com)

Northern Europe

MSA Nederland B.V., Hoorn
 Phone +31 (0)229 25 03 03
 E-Mail info@msaned.nl

Southern Europe

MSA GALLET, Châtillon sur Chalaronne
 Phone +33 (0)474 55 01 55
 E-Mail message@msa-gallet.fr

Central Europe

MSA AUER GmbH, Berlin
 Phone +49 (0)30 68 86-0
 E-Mail info@auer.de

International Sales

MSA EUROPE, Berlin
 Phone +49 (0)30 68 86-555
 E-Mail contact@msa-europe.com

Eastern Europe

MSA Safety Sp. z o.o., Warsaw
 Phone +48 (0)22 711-50 33
 E-Mail mee@msa-europe.com

Great Britain

MSA (Britain) Limited, Bellshill
 Phone +44 (0)16 98 57 33 57
 E-Mail info@msabritain.co.uk

Subject to change without notice

ID 01-150.4 GB/04/02.11

MSA
 The Safety Company