

PremAire® CADET

Air-Line respirator parts list

For More Information, call 1-800-MSA-2222 or Visit Our Website at www.MSAnet.com

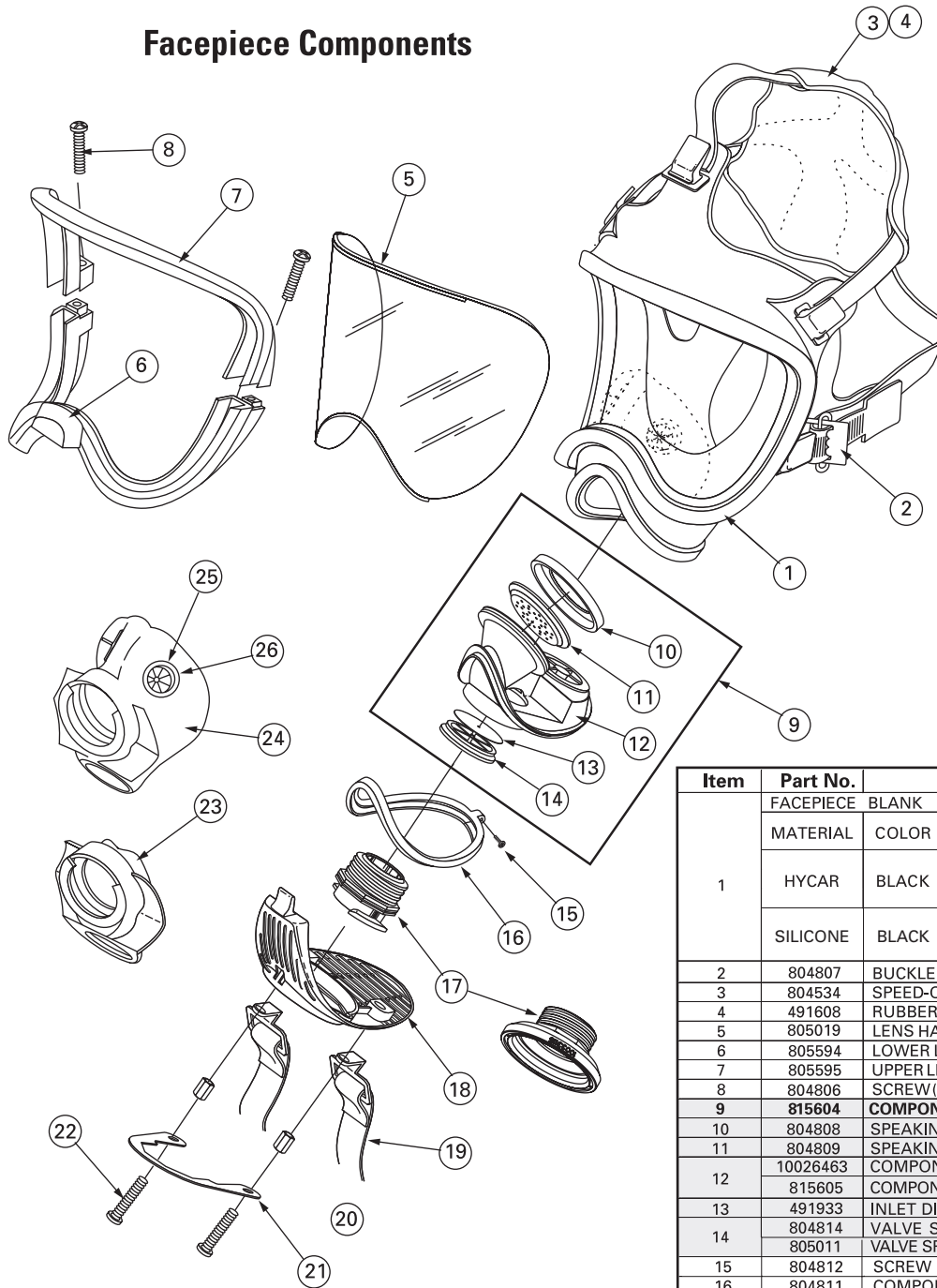


MINE SAFETY APPLIANCES COMPANY
CRANBERRY TWP., PENNSYLVANIA, U.S.A. 16066

Ultra Elite™

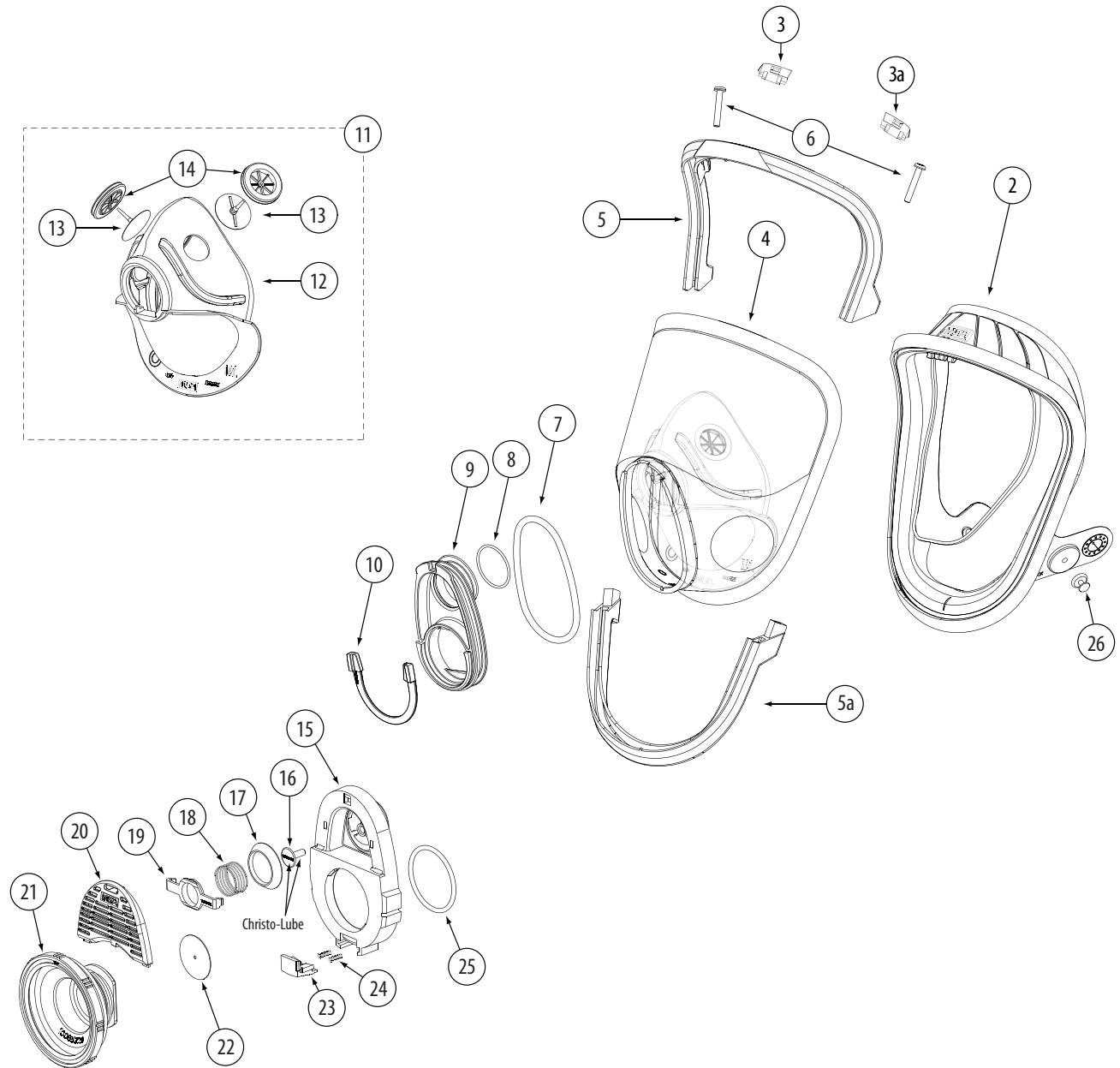
pressure demand facepiece (NON NFPA)

Facepiece Components



Item	Part No.	Description		
1	FACEPIECE BLANK			
	MATERIAL	COLOR	FACEPIECE ASSEMBLY	
	HYCAR	BLACK	495242 (Small)	808916 (Small)
			495239 (Medium)	808911 (Medium)
			495245 (Large)	808921 (Large)
	SILICONE	BLACK	10083926 (Small)	10083796 (Small)
			10083925 (Medium)	10083792 (Medium)
10083927 (Large)	10083800 (Large)			
2	804807	BUCKLE ASSEMBLY WITH D-RING		
3	804534	SPEED-ON HARNESS ASSEMBLY (with buckles)		
4	491608	RUBBER HARNESS (with Buckles)		
5	805019	LENS HARDCOAT		
6	805594	LOWER LENS RING		
7	805595	UPPER LENS RING		
8	804806	SCREW (2)		
9	815604	COMPONENT HOUSING ASSEMBLY (complete)		
10	804808	SPEAKING DIAPHRAGM RETAINER		
11	804809	SPEAKING DIAPHRAGM		
12	10026463	COMPONENT HOUSING ASS'Y (COMPLETE)		
13	815605	COMPONENT HOUSING ONLY w/EXHALATION VALVE		
14	491933	INLET DISC		
15	804814	VALVE SPIDER		
16	805011	VALVE SPIDER (FIREHAWK)		
17	804812	SCREW		
18	804811	COMPONENT HOUSING RING		
19	10018621	ADAPTER ASS'Y (SLIDE)		
20	10033115	ADAPTER ASS'Y (Push-To-Connect)		
21	804819	COMPONENT HOUSING COVER (Black)		
22	10034500	COMPONENT HOUSING COVER (Black) SLIDE		
23	804829	NECKSTRAP		
24	10032208	COMPONENT HOUSING SCREWS		
NOSECUP ASSEMBLY (with valves)				
24	495188	MEDIUM BLACK		
	495189	LARGE BLACK		
25	804822	VALVE SEAT (kit)		
26	804823	VALVE DISC (kit)		

Advantage 4000 Facepiece



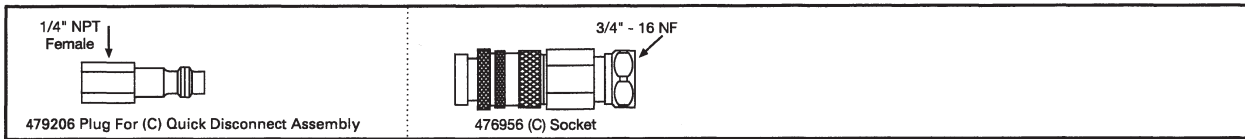
Advantage 4000 Facepiece

Item	P/N	Description
1	10083797	Hycar® Facepiece Assembly, Small
	10083793	Hycar Facepiece Assembly, Medium
	10008301	Hycar Facepiece Assembly, Large
	10083796	Silicone, Facepiece Assembly, Small
	10083792	Silicone, Facepiece Assembly, Medium
	10083800	Silicone, Facepiece Assembly, Large
2	10073455	Hycar Faceblank, Small
	10073459	Hycar Faceblank, Medium
	10073457	Hycar Faceblank, Large
	10083926	Silicone Faceblank, Small
	10083925	Silicone Faceblank, Medium
	10083927	Silicone Faceblank, Large
3	10028302	Right Adapter Clip
3a	10027774	Left Adapter Clip
4	10074738	Single Port Lens, 4100-H
	10084808	Single Port Lens, 4100-S
5	10073460	Upper Lens Ring
5a	10073461	Lower Lens Ring
6	10026562	Screw (2 req'd)
7	10025297	Housing O-Ring
8	10084819	O-Ring
9	10061973	Inlet Housing
10	10061996	U-Clip
11	10065804	Nosecup Assembly, Small
	10065803	Nosecup Assembly, Medium/Large
12	10065306	Nosecup, Small
	10065305	Nosecup, Medium/Large
13	304787	Inlet Check Valve Disc (2 req'd)
14	491124	Inlet Check Valve Seat (2 req'd)
15	10065329	Component Housing
16	10061994	Stem
17	10061995	Exhalation-valve
18	10081456	Exhalation Spring
19	10061998	Spring Retainer
20	10061974	Exhalation-valve Cover
21	10061978	Push-to-Connect Adapter
22	10065085	Inhalation Valve
23	10061976	Locking Button
24	10065303	Spring (2 req'd)
25	10065301	O-Ring
26	10025288	Head Harness Button (2 req'd)
	10029294	Lens Cover (Not Shown)
	10075903	Cloth Net Head Harness (Not Shown)
	10075901	Silicone Head Harness (Not Shown)
	10107784	Kevlar Net Head Harness (Now Shown)
	604070	Christo-Lube Lubricant (Not Shown)
	465008	Drawstring Bag (Not Shown)

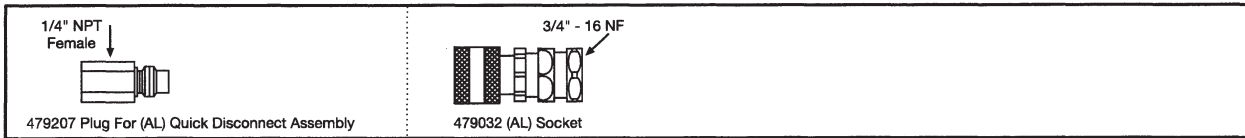
Quick Disconnects Table Chart

LOCKING TYPES

CEJN — Chrome (C)

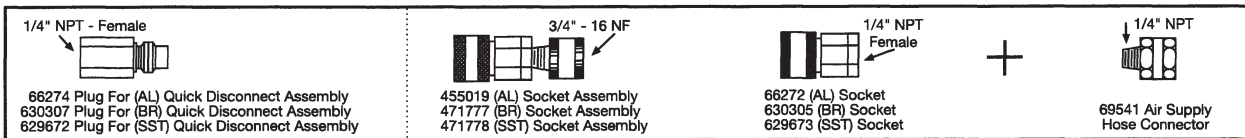


SNAP-TITE — Aluminum (AL)

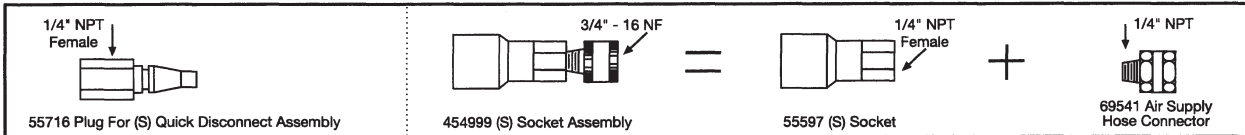


NON-LOCKING TYPES

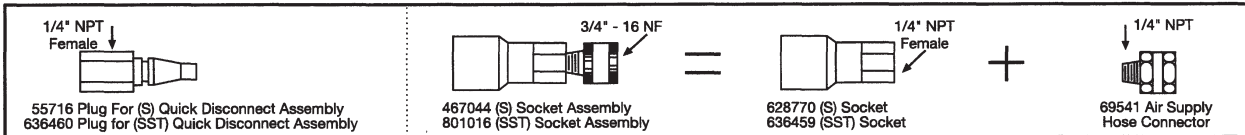
SNAP-TITE — Aluminum (AL) Brass (BR) Stainless Steel (SST)



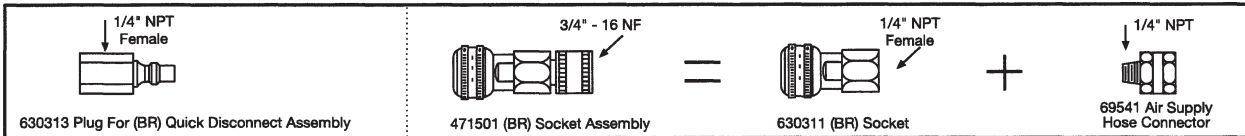
SCHRADER — Steel (S)



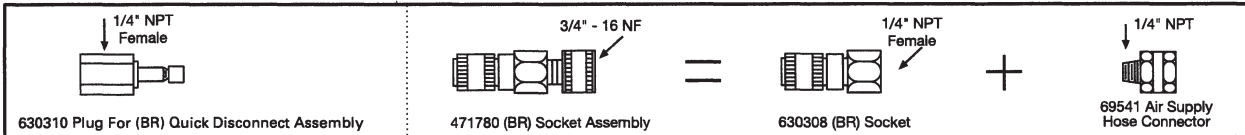
FOSTER — Steel (S) Stainless Steel (SST)



HANSEN — Brass (BR)

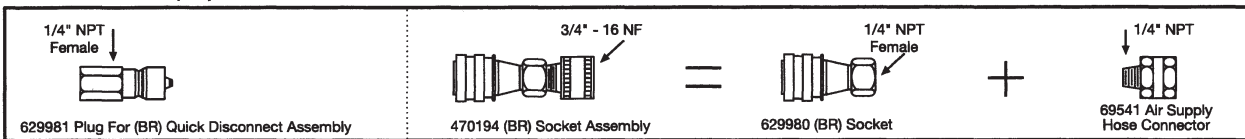


DUFF-NORTON — Brass (BR)

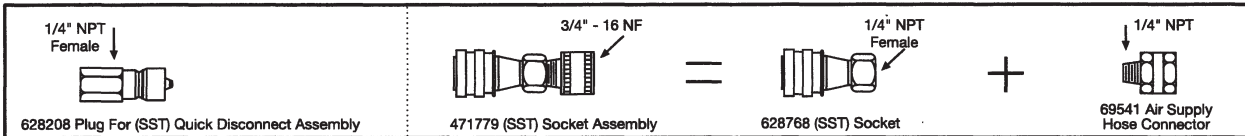


NON-LOCKING TYPES — WITH CHECK VALVE IN PLUG

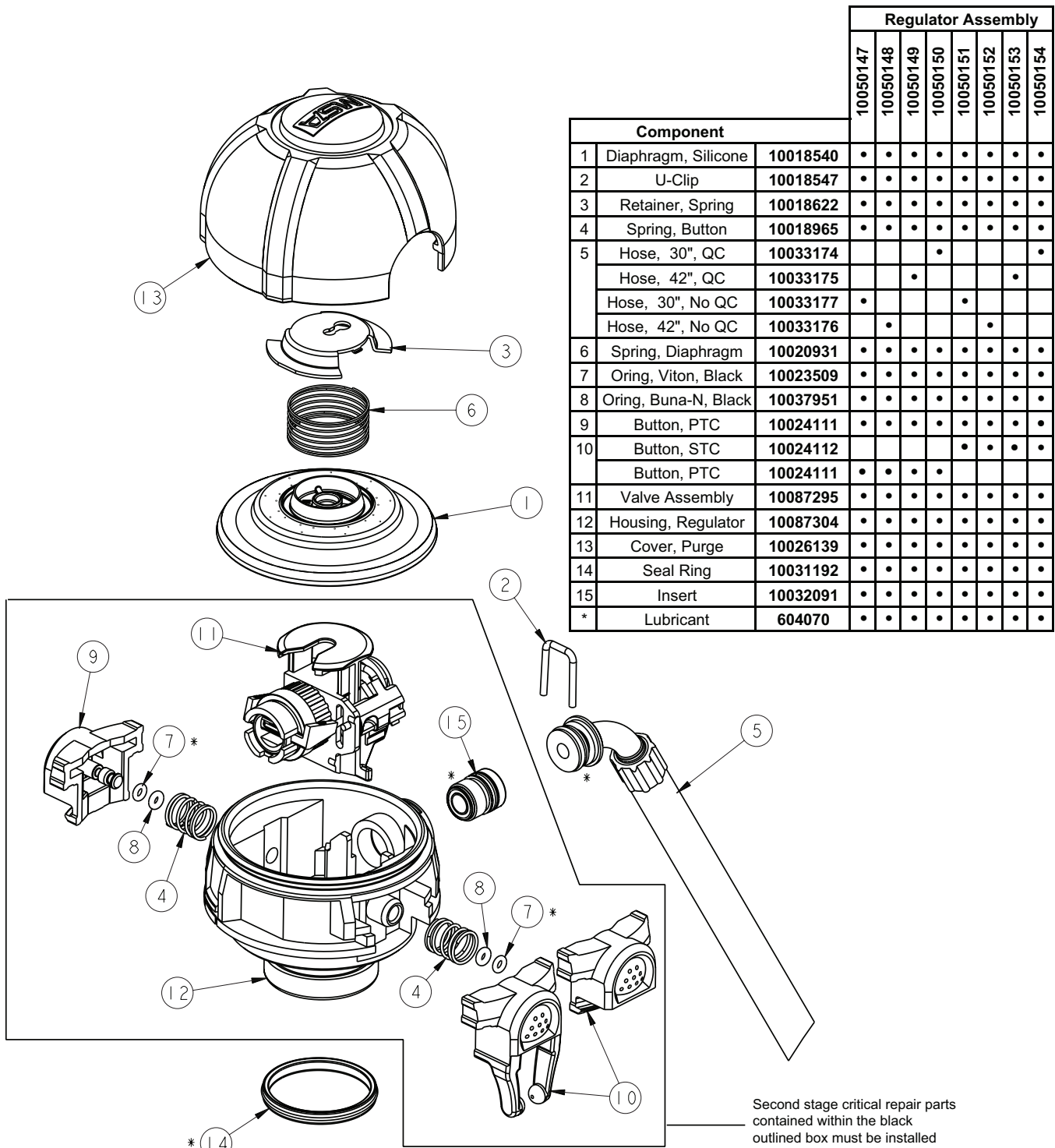
FOSTER — Brass (BR)



HANSEN — Stainless Steel (SST)



Firehawk Mask Mounted Regulator



Component		Regulator Assembly							
		10050147	10050148	10050149	10050150	10050151	10050152	10050153	10050154
1	Diaphragm, Silicone	10018540	•	•	•	•	•	•	•
2	U-Clip	10018547	•	•	•	•	•	•	•
3	Retainer, Spring	10018622	•	•	•	•	•	•	•
4	Spring, Button	10018965	•	•	•	•	•	•	•
5	Hose, 30", QC	10033174			•				•
	Hose, 42", QC	10033175			•				•
	Hose, 30", No QC	10033177	•				•		
	Hose, 42", No QC	10033176		•				•	
6	Spring, Diaphragm	10020931	•	•	•	•	•	•	•
7	Oring, Viton, Black	10023509	•	•	•	•	•	•	•
8	Oring, Buna-N, Black	10037951	•	•	•	•	•	•	•
9	Button, PTC	10024111	•	•	•	•	•	•	•
10	Button, STC	10024112				•	•	•	•
	Button, PTC	10024111	•	•	•	•			
11	Valve Assembly	10087295	•	•	•	•	•	•	•
12	Housing, Regulator	10087304	•	•	•	•	•	•	•
13	Cover, Purge	10026139	•	•	•	•	•	•	•
14	Seal Ring	10031192	•	•	•	•	•	•	•
15	Insert	10032091	•	•	•	•	•	•	•
*	Lubricant	604070	•	•	•	•	•	•	•

* Lubricant 604070 must be applied to components marked with an asterick. Refer to the maintenance manual for instructions.

Second stage critical repair parts contained within the black outlined box must be installed by CARE trained and certified repair technicians and tested with an MSA approved dynamic flow tester.

Accessories

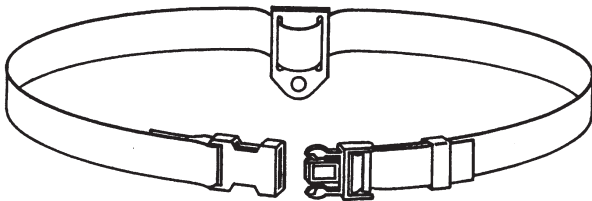
The MMR Airline Respirator can be expanded to the PremAire MMR Airline Respirator. See illustrated parts list #800000.

Hose Assemblies

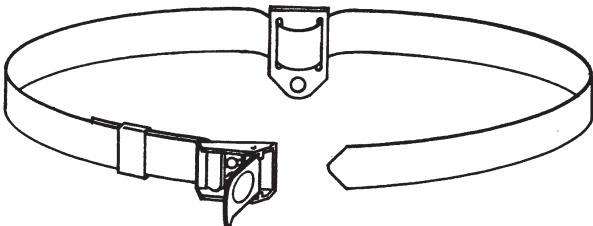
Model P/N	Pt. No.	Hose Length (Feet)	
7-665-1	481071	8	Neoprene
7-665-1	455020	15	Neoprene
7-665-1	455021	25	Neoprene
7-665-1	455022	50	Neoprene
7-664-1	481051	8	Polyvinyl Chloride
7-664-1	471511	15	Polyvinyl Chloride
7-664-1	471512	25	Polyvinyl Chloride
7-664-1	471513	50	Polyvinyl Chloride
7-664-1	484225	100	Polyvinyl Chloride
5-551-1	491513	8	Nylon Coiled*
5-511-1	491514	15	Nylon Coiled*
5-511-1	491515	25	Nylon Coiled*
5-551-1	747043	50	Nylon Coiled*
—	69542	—	Brass Adapter 1/4
—	628232	—	Brass Adapter 1/4

*Maximum recommended useable length is one-half actual length.

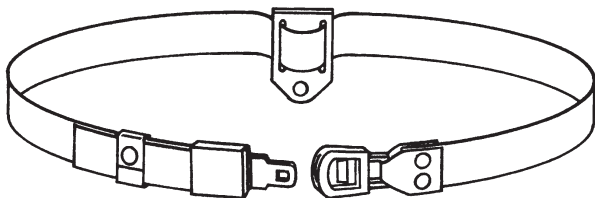
Waist Straps



Part No. **9961**
Nylon



Part No. **492827**
Urethane



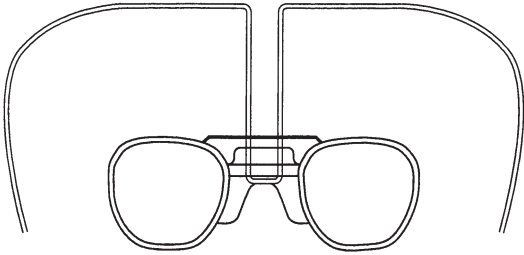
Part No. **802811**
Nomex
Part No. **494030**
Nylon

Accessories

Spectacle Kit

for use with

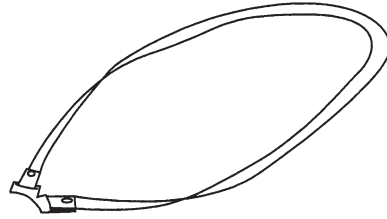
Ultra Elite Facepiecept. no. 804638
Advantage 4000 Facepiecept. no. 10029298



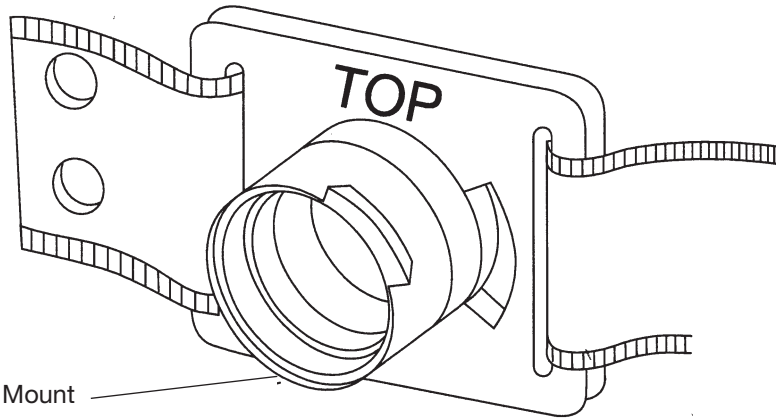
Neckstrap

for use with Ultra Elite Facepiece

PBI (Ultra Elite)pt. no. 804829



Regulator Clip



10022245 - Belt Mount

Assembly Numbers

MMR Airline Apparatus						
Part Number Apparatus Assembly Complete		Description	Intermediate Pressure Hose Length (in)	Firehawk Regulator	Facepiece	
In Case	Less Case	Quick Disconnect Type			Ultra Elite	Adv. 4000
10054793	10037648	Snap-Tite Aluminum	30	10050147	X	
10054792	10037648	Snap-Tite Aluminum	42	10050148	X	
10054790	10037648	None	30	10050147	X	
10054791	10037648	None	42	10050148	X	
10081175	10081098	Snap-Tite Aluminum	30	10050147		X
10081174	10081099	Snap-Tite Aluminum	42	10050148		X
10081173	10081100	None	30	10050147		X
10081172	10081171	None	42	10050148		X

For More Information, call 1-800-MSA-2222 or Visit Our Website at www.MSAnet.com



MINE SAFETY APPLIANCES COMPANY
CRANBERRY TWP., PENNSYLVANIA, U.S.A. 16066