

PARTS LIST				REVISION
ITEM NO.	MATL. MASTER NO.	REQD.	DESCRIPTION	

1. SIZE

- 5.5" X 13.5" FLAT (W X H)
- SEE PAGE 4 FOR DIE LINE SPECIFICATIONS

2. MATERIAL

- WHITE OPAQUE
- .002 MIL, POLYETHYLENE (HIGH SLIP)
- BAG TO BE OF SIDE WELD CONSTRUCTION
- TOP OF BAG TO BE LEFT OPEN FOR TOP LOADING
- BOTTOM OF BAG TO BE CLOSED
- 1/8" DIAMETER VENT HOLES LOCATED AS SHOWN ON PAGE 4

3. INK

- BLACK

4. PRINTING

- THIS DRAWING IS NOT TO BE USED AS PRODUCTION ARTWORK
- FRONT OF BAG PRINTS AS SHOWN ON PAGE 2
- BACK OF BAG PRINTS AS SHOWN ON PAGE 3
- DIE LINE REPRESENTED IN PURPLE DOES NOT PRINT

5. ARTWORK RETAINED, CONTROLLED AND SUPPLIED BY MSA GLOBAL INDUSTRIAL DESIGN (UK)

6. VENDOR'S AUTHORIZED IDENTIFICATION TO PRECEDE DATE REVISION CODE AND TO BE CLEARLY MARKED ON OUTSIDE PACKAGE

AUTHORIZED COUNTRY	MSA	MINE SAFETY APPLIANCES CO. PITTSBURGH, PA 15230, U.S.A.	THIS DRAWING IS THE PROPERTY OF MINE SAFETY APPLIANCES COMPANY, PITTSBURGH, PENNSYLVANIA, AND IS MADE AVAILABLE TO YOU IN CONFIDENCE AND SUBJECT TO THE FOLLOWING: NO PERMISSION IS GRANTED TO PUBLISH, USE, REPRODUCE, TRANSMIT, OR DISCLOSE THIS DRAWING, OR ANY INFORMATION OR IDEA CONTAINED THEREIN TO OTHERS WITHOUT THE PRIOR WRITTEN CONSENT OF MINE SAFETY APPLIANCES COMPANY EXCEPT FOR THE MANUFACTURE OF ARTICLES FOR MINE SAFETY APPLIANCES COMPANY. SCHUTZVERMERK NACH DIN 34 BEACHTEN. MSA AUER GmbH.		DO NOT SCALE DWG.
MSA STANDARD SHOP PRACTICES APPLY			JOB NO. CR800000036302	AGENCY APPROVAL CODE:	NIOSH ATTR. DOC:
CODE SYMBOLS			DRAWN BY M Geoghegan 8/1/19	BAG, REPLACEMENT SWEATBAND X 3, V-GARD H1	
CRITICAL \triangle MINOR (NO MARK)			CHECKED BY MNAAR 9.9.19		
MAJOR A \triangle MAJOR B \triangle			PROJECT ENGINEER MNAAR 9.9.19		
100% INSPECTION \triangle			QUALITY ASSURANCE DBACKFISCH 8.29.19		
TOLERANCES UNLESS OTHERWISE SPECIFIED			MANUFACTURING	CADD REF:	SCALE:
FRACTIONAL \pm 1/16			C	10205294	
2 PL. DEC. \pm .06					
3 PL. DEC. \pm .063					
ANGULAR \pm					
SEE MSA STANDARD SHOP PRACTICES FOR DRILLED HOLE TOLERANCES					SHEET 1 OF 4



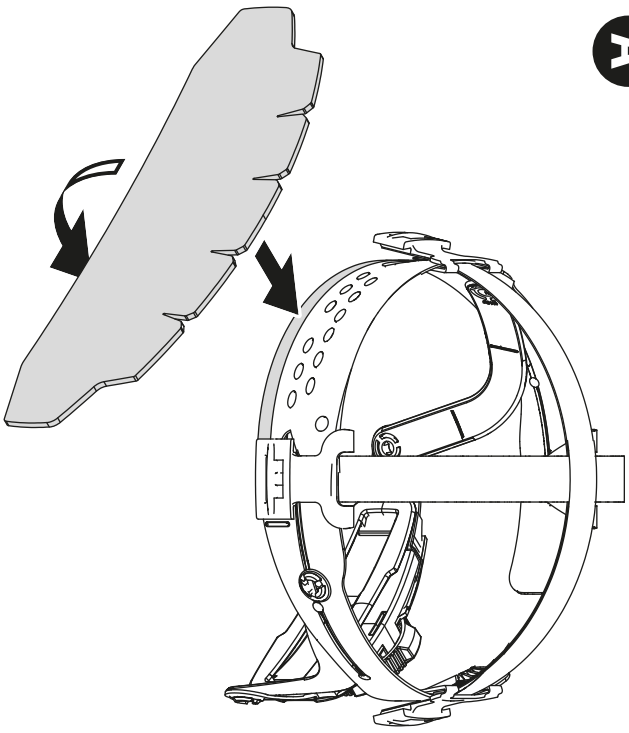
Fas-Trac[®] III Pivot

Replacement Sweatband

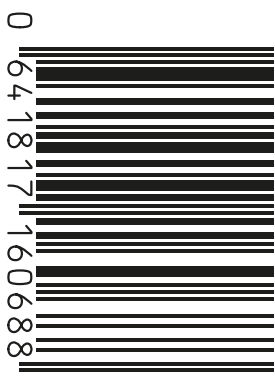
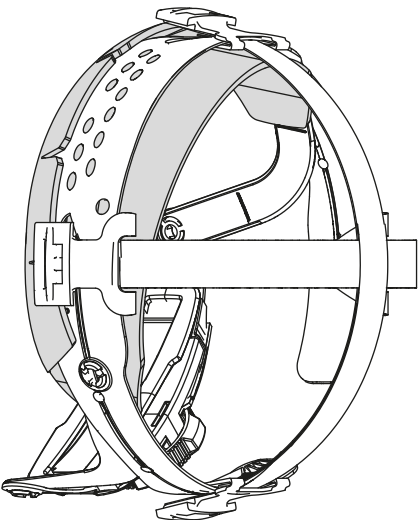
REF | 10194761



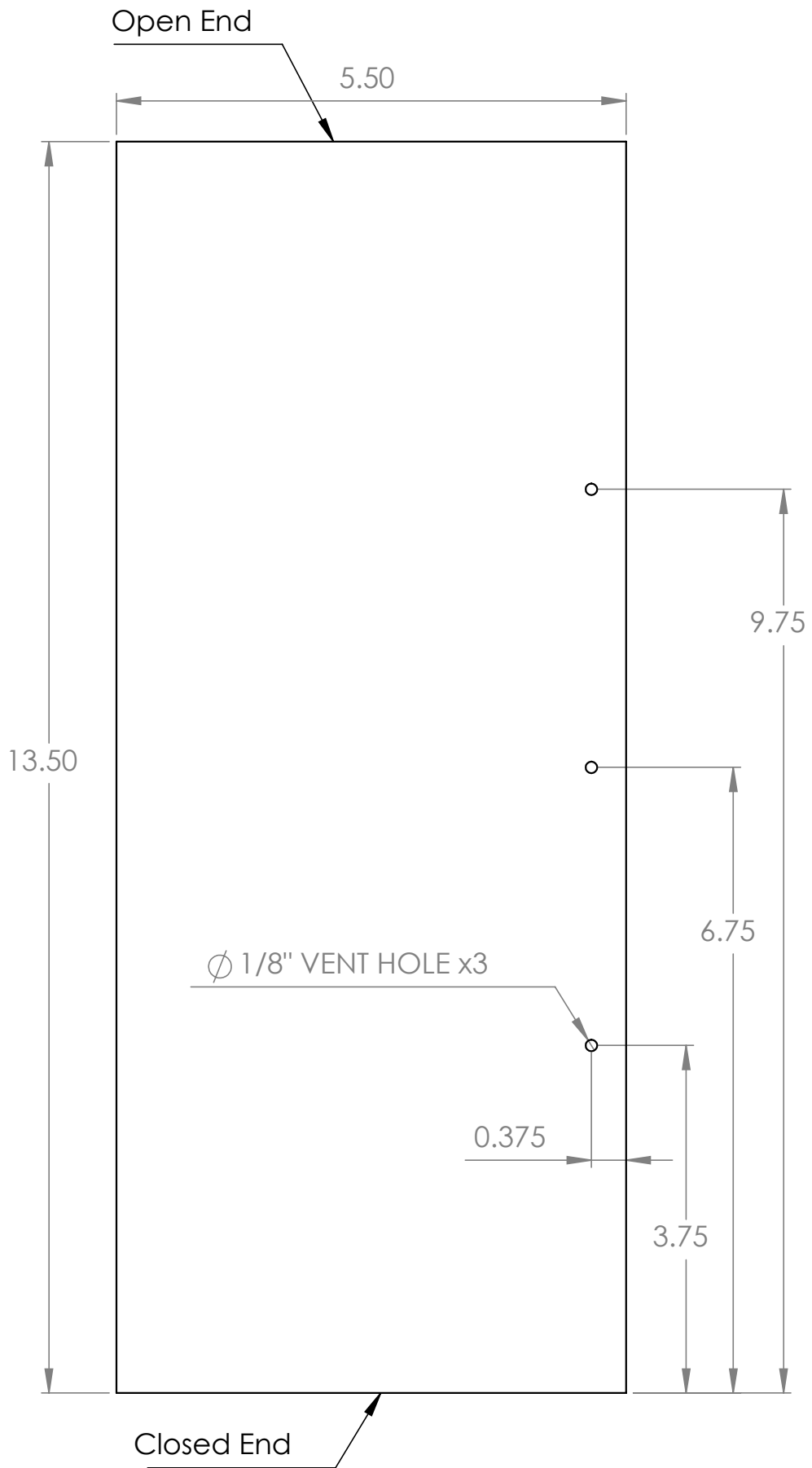
A



B



MSA - The Safety Company
1000 Cranberry Woods Dr., Cranberry Twp., PA 16066 U.S.A.
www.MSAsafety.com
Product of Mexico



Note: Max print area = 13.25" x 5.25"