

ULTIMA® X5000 Gas Monitor

The future looks bright.



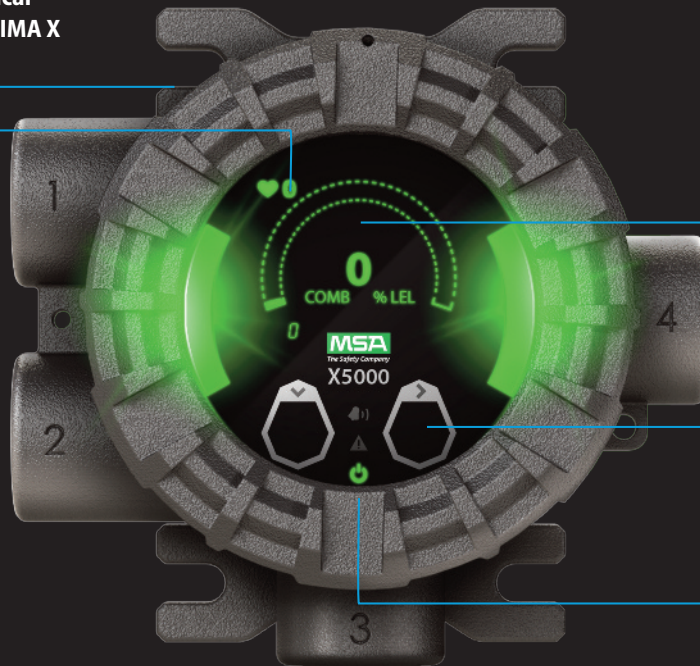
Simple retrofits have identical footprint and wiring to ULTIMA X Gas Monitor series.

Bluetooth® wireless technology allows mobile device to act as HMI screen and controller.



Download the X/S Connect App from the Google Play store.

Reduce setup time by at least 50% with the X/S Connect App



Intuitive display features new design equipped with organic LED (OLED) display, with full word text in 9 languages. Bright green, yellow and red status LEDs for extreme visibility.

Industry-first, touch-button interface provides intuitive, tool-free user experience.

Instrument status indicators illuminate power, fault and alarm conditions.

Advanced Sensor Technology

POWERED BY
XCell
SENSORS

WITH
TruCal

- Patented XCell Sensors with TruCal technology extend calibration cycles for as long as 18 months, actively monitor sensor integrity and compensate for environmental factors and electrochemical sensor drift.*
- Worry-free operation; automatically self-checks four times per day.
- Three-year warranty and five-year expected life for XCell Sensors.
- **SafeSwap** enables safe and quick XCell Sensor replacement without powering off gas detector.
- **Dual sensor capability** doubles sensing power with half the footprint of a single gas sensor transmitter.



*Only CO & H₂S XCell Sensors

Applications

- Chemical
- Oil and gas
- Petrochemical
- Utilities
- Wastewater
- General industry

ULTIMA[®] X5000 Gas Monitor

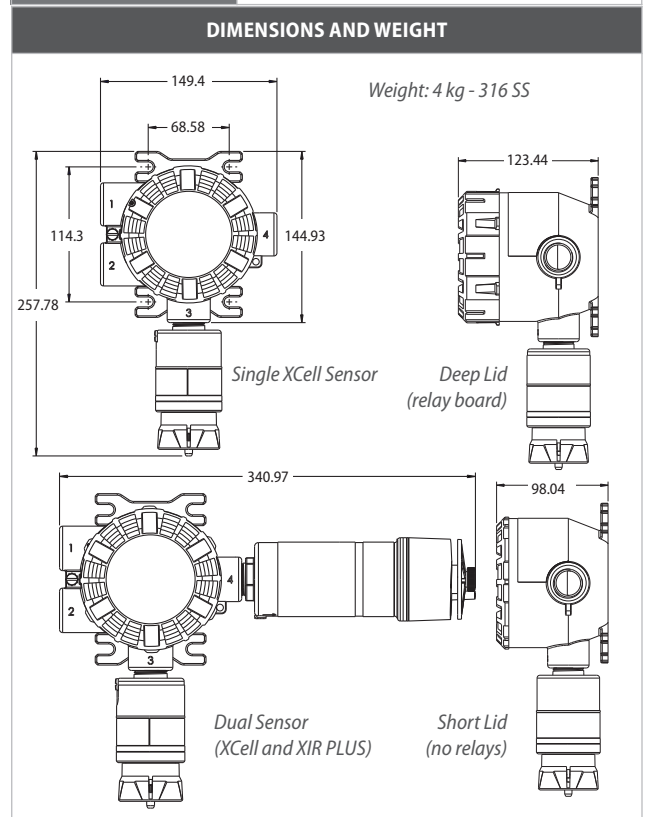
Specifications



| PRODUCT SPECIFICATIONS | | | |
|---|---|----------------------|------------------------------|
| COMBUSTIBLE GAS SENSOR TYPE | Catalytic Bead (XCell Comb) Infrared (XIR PLUS) | | |
| TOXIC GAS & OXYGEN SENSOR TYPE | Carbon Dioxide (XIR PLUS) (Europe pending) Carbon Monoxide CO (XCell Toxic) Carbon Monoxide CO H ₂ -Resistant (XCell Toxic) Hydrogen Sulfide H ₂ S (XCell Toxic) Oxygen O ₂ (XCell O ₂) | | |
| SENSOR MEASURING RANGES | Combustible: 0–100% LEL H ₂ S: 0–10, 0–50, 0–100 ppm CO ₂ : 0–2%, 0–5% Vol CO: 0–100, 0–500, 0–1000 ppm CO-H ₂ Resist: 0–100 ppm O ₂ : 0–25% | | |
| TYPICAL SENSOR LIFE | 5 years – XCell Sensors 10 years – infrared | | |
| SENSOR PERFORMANCE* | T₉₀ (TYPICAL) | REPEATABILITY | ZERO DRIFT (PER YEAR) |
| XIR PLUS | < 2 sec. | +/- 1% LEL | <2% full scale |
| XCELL COMB | <30 sec. | +/- 1% LEL | <5% LEL |
| XCELL H ₂ S | <23 sec. | +/- 3% | <1% full scale |
| XCELL O ₂ | <11 sec. | +/- 0.1% Vol | 0.2% Vol |
| XCELL CO | <11 sec. | +/- 3% | <1% full scale |
| APPROVALS CLASSIFICATION | US Divisions Class I Div 1 Groups A-D, T5, Type 4X, IP66 Class II Div 1 Groups E-G, T6; Class III US Zones Class I Zone 1 AEx db IIC T5 Gb Class II Zone 21 AEx tb IIIC T85°C Db Global Zones Ex db IIC T5 Gb Ex tb IIIC T85°C Db | | |
| WARRANTY | X5000 Transmitter: 2 years XIR PLUS: 10 years source, 5 years electronics XCell Sensors: 3 years | | |
| APPROVALS | CSA, ATEX, IECEx, CE Marking. Complies with C22.2 No. 152, FM 6320, RED, FCC Suitable for SIL 2 | | |
| ENVIRONMENTAL SPECIFICATIONS | | | |
| OPERATING TEMPERATURE RANGE | XCell: -40°C to +60°C XIR PLUS: -40°C to +60°C (may differ by gas, see manual) | | |
| STORAGE TEMPERATURE RANGE | -40°C to +60°C | | |
| RELATIVE HUMIDITY (NON-CONDENSING) | 10–95% (XCell Toxics & O ₂) 0–95% (XCell Comb) 0–95% (XIR PLUS) | | |

*At ambient conditions

| MECHANICAL SPECIFICATIONS | |
|--------------------------------------|---|
| INPUT POWER | 10 to 30 VDC, 3 wire, <5W nominal |
| SIGNAL OUTPUT | Dual 4-20 mA current source, HART |
| BLUETOOTH (OPTIONAL) | Bluetooth Low Energy (BLE) v4.3 or higher |
| RELAY RATINGS | 5A @ 30VDC; 5A @220 VAC (3X) SPDT – fault, warn, alarm |
| RELAY MODES | Common, discrete, horn |
| NOMINAL MAX POWER (W/ RELAYS) | XIR PLUS 6.7 W XCell Comb 5.5 W XCell Toxic & O ₂ 2.8 W XIR PLUS and XCell Comb 9.6 W XIR PLUS and XCell Toxic & O ₂ 7.0 W Dual XIR PLUS 11.6 W Dual XCell Toxic & O ₂ 3.6 W Dual XCell Comb 10.6 W Dual XCell Comb and XCell Toxic & O ₂ 5.5 W |
| EMC DIRECTIVE | Complies with EN 50270 type 2, EN 61000-6-4, EN 61000-6-3 |
| DISPLAY | Organic LED (multi-lingual) with Contrast Ratio of 2000:1 and View Angle of 160° |
| HART | HART 7, HART device description language available |
| FAULTS MONITORED | Low supply voltage, RAM checksum error, flash checksum error, EEPROM error, internal circuit error, relay, invalid sensor configuration, sensor faults, calibration faults, general system |
| WIRING REQUIREMENTS | 3-wire (single sensor) or 4-wire (dual sensor) shielded cable. <i>Refer to manual for mounting distances and wire gauge.</i> |



Subject to change without notice
ID 07-723.2 GB/02