

ASSEMBLY INSTRUCTIONS

PLEASE READ INSTRUCTIONS CAREFULLY. BE SURE YOU HAVE ALL PARTS BEFORE YOU BEGIN TO ASSEMBLE. ASSEMBLE FURNITURE ON A CLEAN, FLAT SURFACE SUCH AS CARPET TO AVOID SCRATCHING. PLEASE ASSEMBLE USING HEX KEY(INCLUDED).

ATTENTION:

TO ENSURE EASY ASSEMBLY WE ADVISE ALL FITTINGS BE PARTIALLY TIGHTENED DURING THE INITIAL ASSEMBLY. ONCE THE PRODUCT IS ASSEMBLED, ALL FITTINGS SHOULD BE TIGHTENED. WE RECOMMEND A PERIODIC CHECK ON ALL FIXING POINTS TO MAKE SURE THEY REMAIN FULLY TIGHTENED.

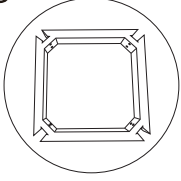




WARNING: THIS PACKAGE CONTAINS SMALL PARTS AND SHARP POINTS, KEEP AWAY FROM CHILDREN AND BABIES UNTIL ASSEMBLY IS COMPLETED.

WARNING: DO NOT STAND, SIT OR LEAN ON THIS TABLE. DO NOT USE THE TABLE AS A CHOPPING SURFACE. DO NOT KNOCK OR DRAG THE PRODUCT. DO NOT USE THE TABLE UNLESS ALL BOLTS, SCREWS AND KNOBS ARE FIRMLY SECURED. USE ONLY ON A FLAT SURFACE.

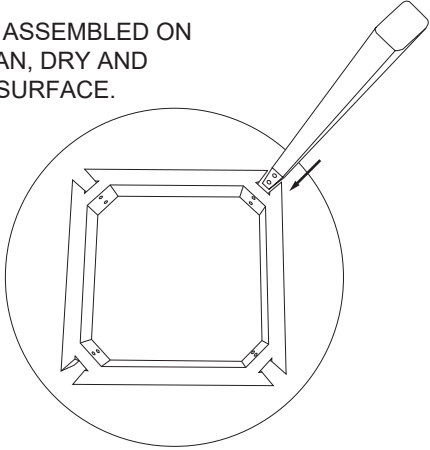
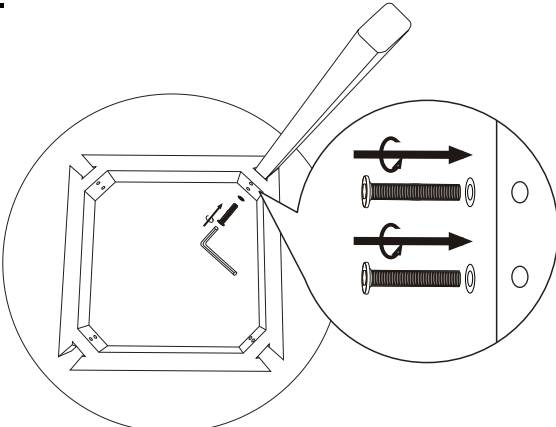
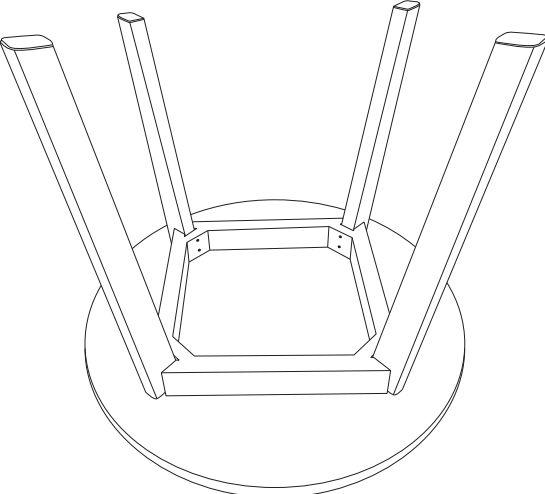
FAILURE TO FOLLOW THESE WARNINGS COULD RESULT IN SERIOUS INJURY.
MAXIMUM LOADING WEIGHT: 15KG

CARE INSTRUCTIONS: WIPE CLEAN WITH A DAMP CLOTH. DO NOT USE ABRASIVE MATERIALS AND SOLVENTS. CHECK AND TIGHTEN ALL PARTS REGULARLY. STORE IN A DRY PLACE. FOR INDOOR USE AND DOMESTIC USE ONLY.

PARTS LIST:

1.-1PC 	2.-4PCS 	3.-8PCS 	4.-8PCS 	A.-1PC 
---------------------------------------------------------------------------------------------	----------------------------------------------------------------------------------------------	----------------------------------------------------------------------------------------------	------------------------------------------------------------------------------------------------	-----------------------------------------------------------------------------------------------

FITTINGS:

<p>1 .</p> <p>TO BE ASSEMBLED ON A CLEAN, DRY AND SOFT SURFACE.</p> 	<p>2 .</p> 
<p>3 .</p> 	<p>4 .</p> 