

ASSEMBLY INSTRUCTIONS






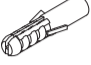



CAUTION:


THIS ITEM IS MADE OF LAMINATED PARTICLE BOARD AND MEDIUM DENSITY FIBRE BOARD. WIPE CLEAN WITH A DRY CLOTH. DO NOT USE ABRASIVE MATERIALS OR SOLVENTS. KEEP AWAY FROM MOISTURE AND DIRECT SUNLIGHT. STORE IN A DRY PLACE. FOR INDOOR USE ONLY.

WARNING:

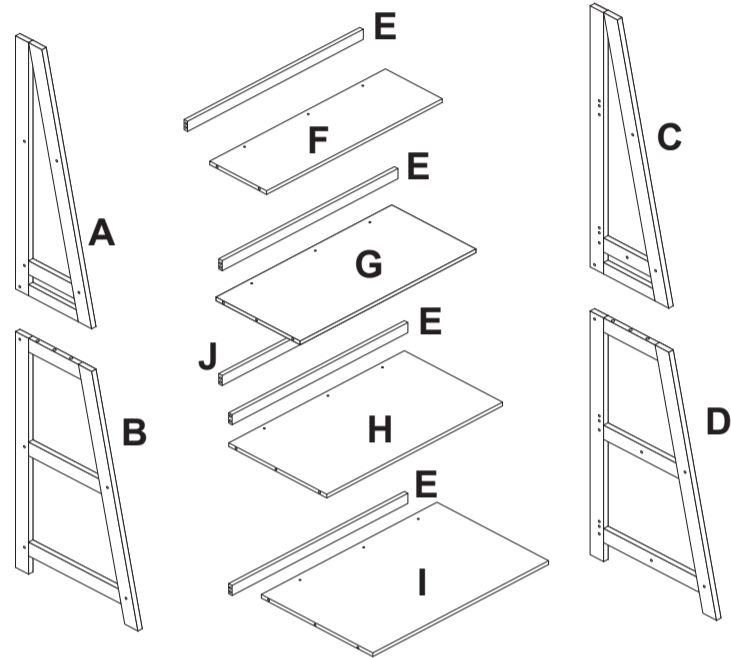
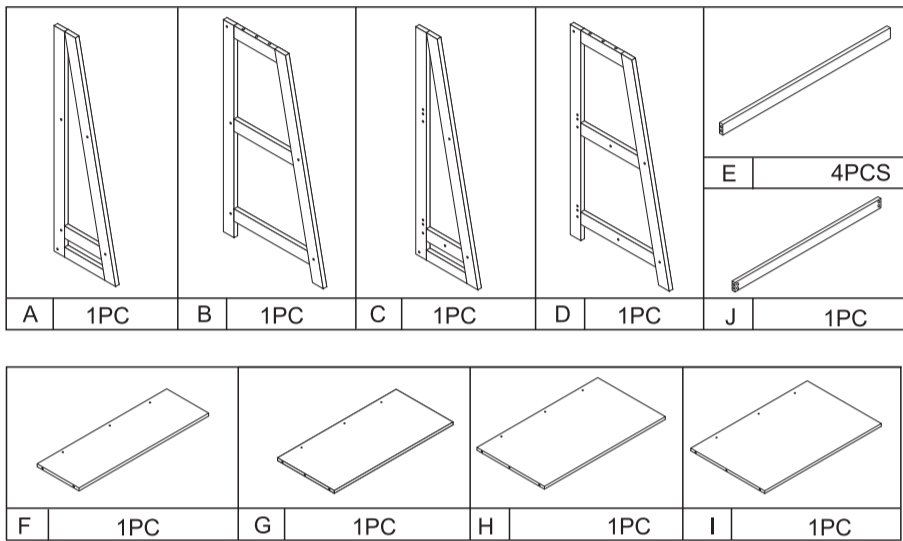
DO NOT STAND OR SIT ON THIS LADDER SHELF. DO NOT USE LADDER SHELF AS A STEP LADDER. DO NOT LEAN AGAINST THE LADDER SHELF. DO NOT KNOCK OR DRAG THE PRODUCT. DO NOT USE THE LADDER SHELF UNLESS ALL BOLTS, SCREWS AND KNOBS ARE FIRMLY SECURED. DO NOT PLACE HOT ITEMS SUCH AS COFFEE CUPS DIRECTLY ON THE SURFACE OF THIS FURNITURE ITEM. WE RECOMMEND THAT THE LADDER SHELF IS SECURED TO THE WALL BEFORE USAGE. MAXIMUM SAFE LOAD WEIGHT FOR EACH SHELF : 10KG.

1 Hardware List

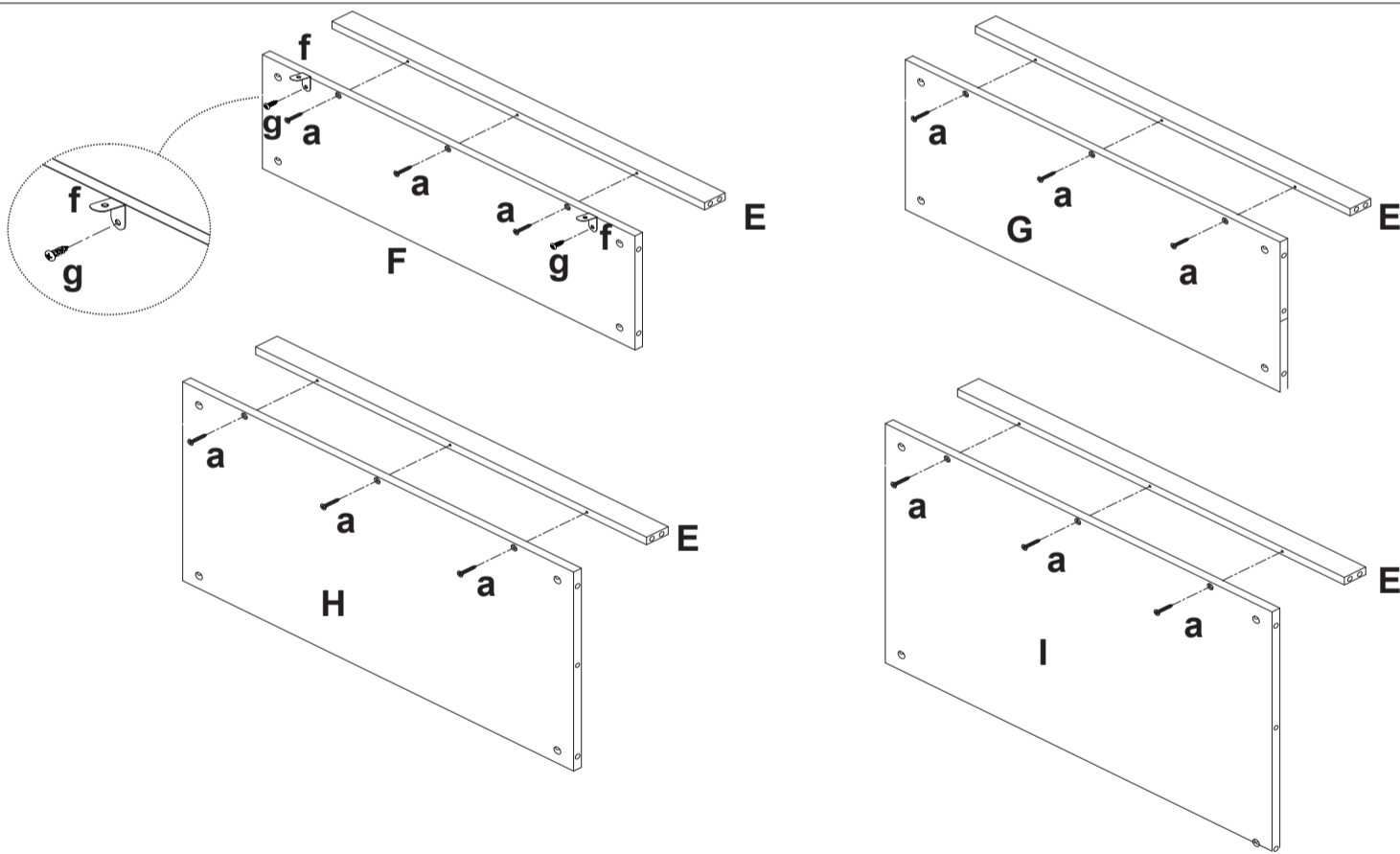
| | | | | | | | |
|---|---|-----------|-------|---|---|---------------|-------|
|  | a | ∅4x35mm | 12PCS |  | f | 20x20mm | 2PCS |
|  | b | ∅5.8x30mm | 24PCS |  | g | ∅4x12mm | 2PCS |
|  | d | ∅ 5x50mm | 24PCS |  | h | ∅6x29mm | 2PCS |
|  | e | 9x9mm | 24PCS |  | i | ∅4x35mm | 2PCS |
| | | | |  | j | Screw Sticker | 24PCS |

| | |
|---|---------------------------|
| Tools required not provided | |
|  | Philips Head Screw Driver |

2



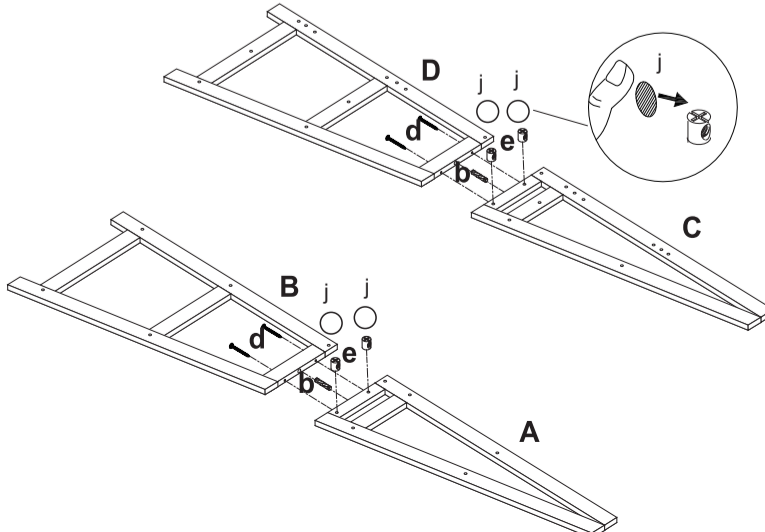
3



Tool required
Philips Head Screw Driver
(Not Provided)

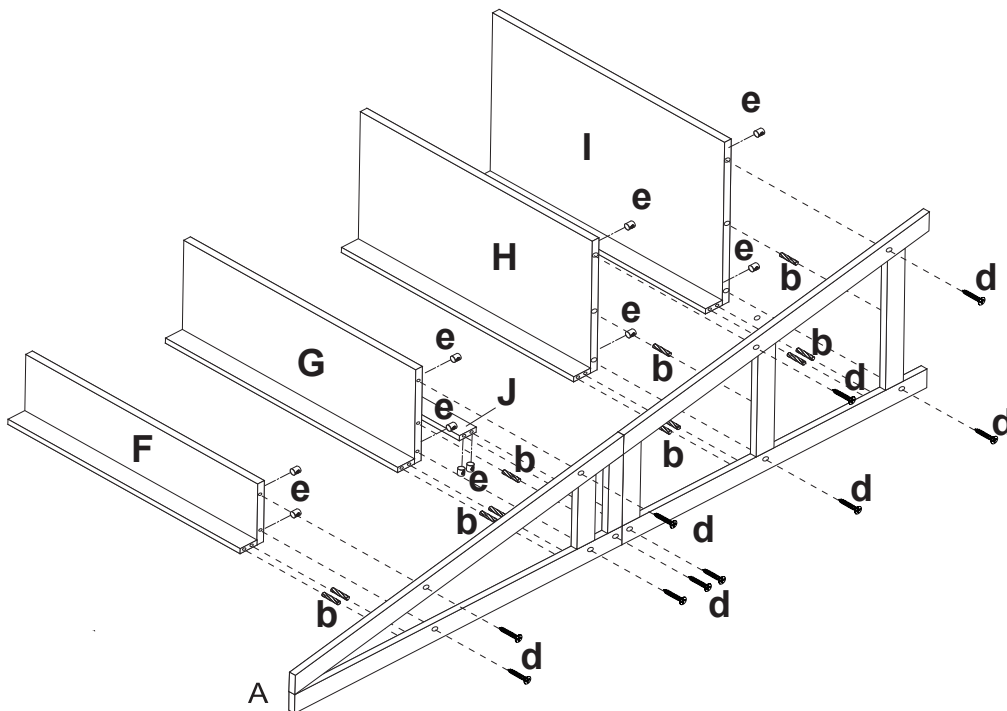
4


Put Part b & e in corresponding position (as per below diagram), then connect Part A & B, Part C & D with screw d, finally fix the screws e with screwdriver and make sure all parts match well. Then stick the part j to cover part e.



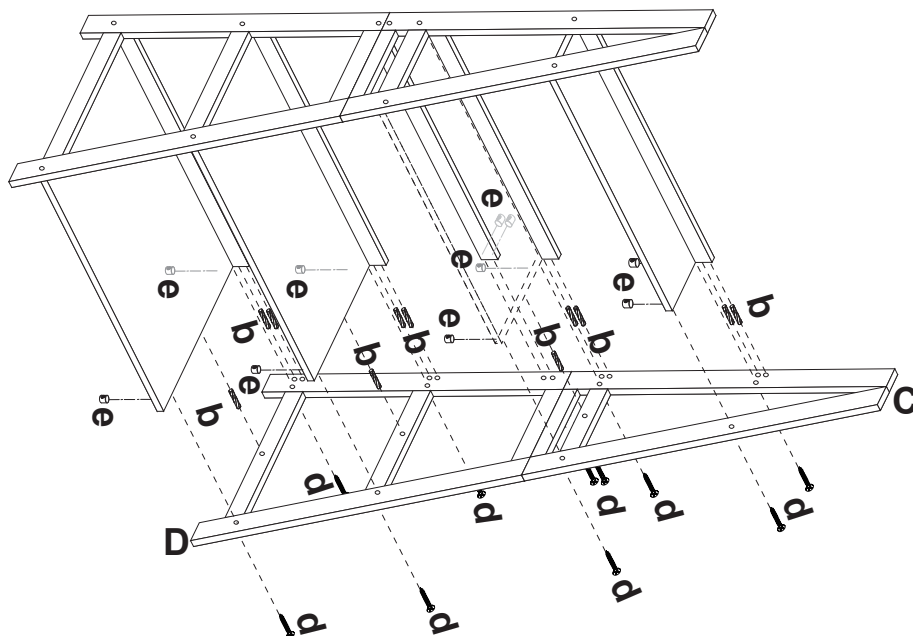
Tool required
Philips Head Screw Driver
(Not Provided)


5 PLEASE ASSEMBLE THIS PRODUCT ON EVEN SURFACE. DO NOT MOVE THIS PRODUCT UNTIL ASSEMBLY IS COMPLETED.



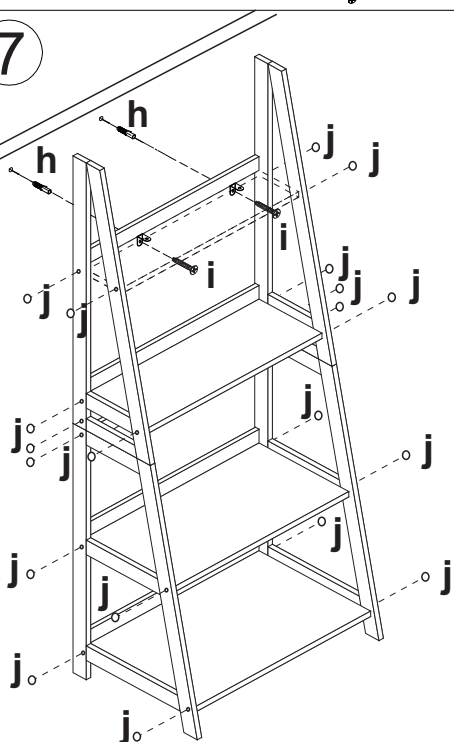

Tool required
Phillips Head Screw Driver
(Not Provided)

6 ATTACH PARTS C, PART D, PART b and PART d, FASTEN ALL SCREWS BEFORE SECURING PART e.





Tool required
Phillips Head Screw Driver
(Not Provided)

7



TOPPLING FURNITURE WARNING:

- It is strongly recommended that this product is permanently fixed to the wall.
 - Please seek professional advice if you are in doubt of what fixing device to use.
 - Regularly check that anchors are securely maintained.
 - Stability of tall items may be affected by thick pile carpet or uneven floors.
 - Do not place unanchored televisions on furniture.
- Caution: for your safety when attaching the anchor fixings, please note the following:
- Check any electrical wires or plumbing inside the wall before drilling any holes (if you are unsure please seek professional advice from a qualified tradesperson)


Tool required
Phillips Head Screw Driver
(Not Provided)