

# Round Side Table


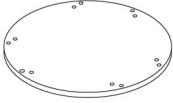
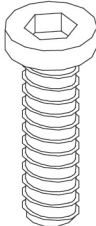
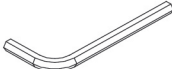
## ASSEMBLY INSTRUCTION

Key Code:42516415

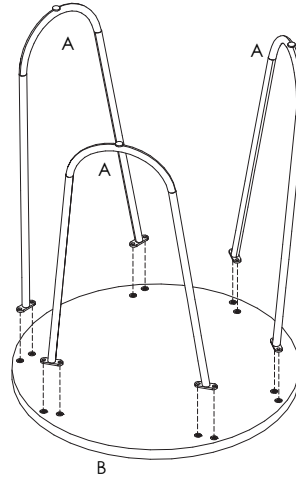
Made in China

Please read instructions carefully. Remove all parts from the carton. Ensure you have all parts before assembling. Place all parts on a clean and flat soft surface, such as carpet or a rug to prevent them from being scratched.

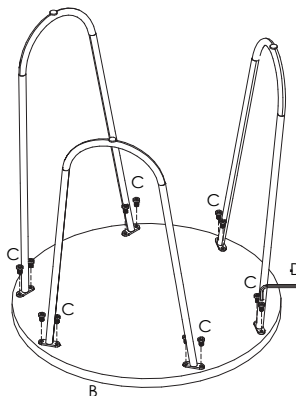
Attention: Do not tighten all screws until assembly is completed.

<p>A x 3pcs Metal Frame</p>	
<p>B x 1pc Board</p>	
<p>C x 12pcs Screw</p>	
<p>D x 1pc Hex Key</p>	

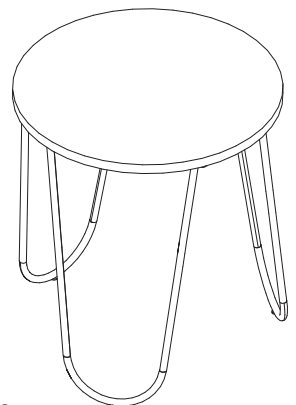
Step 1: Put board (Part B) on the ground, ensure the side with screw hole is on the top



Step 2: Use screws (Part C) to fasten metal legs (Part A) to the board (Part B)



Step 3: Fasten all screws firmly, assembly is now complete.



### CARE INSTRUCTIONS:

To be assembled on a clean, dry and smooth surface.  
Wipe table clean with a damp or dry cloth.  
Do not use abrasive materials and solvents.  
Keep away from water and direct sunlight.  
Place on an even surface.  
For indoor use only.

### WARNING!

- 1) Do not stand or sit on this table.
  - 2) Do not use the table as a chopping surface.
  - 3) Do not knock or drag the product.
  - 4) Do not use the table unless all bolts, screws and knobs are firmly secured.
  - 5) Do not place hot items directly on the table top.
  - 6) Always use place mats.
  - 7) Keep away from children and babies until assembly is complete. Adult assembly required.
- Maximum safe load 10KGS.  
Failure to follow these warnings could result in serious injury.