

**WS936100TX**  
**DECORATIVE MIRROR-**  
**MELISSA**  
Assembly Instructions



**Southern**  
ENTERPRISES

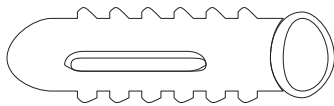
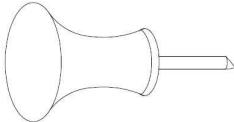
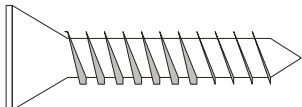
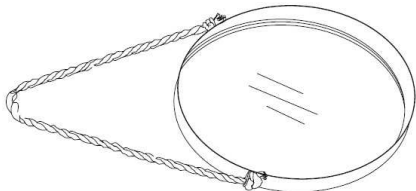
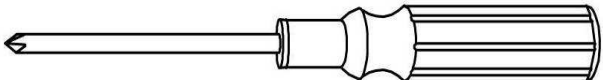
For assistance with assembly contact:  
Southern Enterprises Inc.  
Customer Service 1-800-633-5096  
service@seidal.com  
www.seidal.com



# DECORATIVE MIRROR--MELISSA

## Parts List

Please review all parts and hardware before disposing of any packaging. Call Customer Service if missing hardware. Using a screw that is too long will cause damage. Before beginning assembly, separate each type of screw. Carefully study the diagrams below.

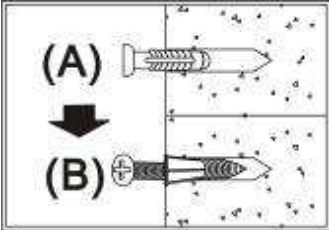
<p>A</p> <p>Quantity Of 2</p>  <p>Plastic Anchor</p>	<p>C</p> <p>Quantity Of 1</p>  <p>Metal Knob</p>
<p>B</p> <p>Quantity Of 2</p>  <p>Screw</p>	<p>D</p> <p>Quantity Of 1</p>  <p>Mirror frame</p>
<p><b>Care and Cleaning Instructions:</b> Before using, wipe with a clean, dry cloth. Avoid rubbing or scratching the surface with rough or abrasive objects.</p>	<p>For replacement parts or questions, please call Customer Service at 1-800-633-5096. Please call manufacturer for assistance, questions or Parts.</p>
<p><b>Assembly Tool Required No.2 Phillips Screwdriver Not Included</b></p>	

**Tool List: 3/16" drill bit, drill, tape measure and pencil.**

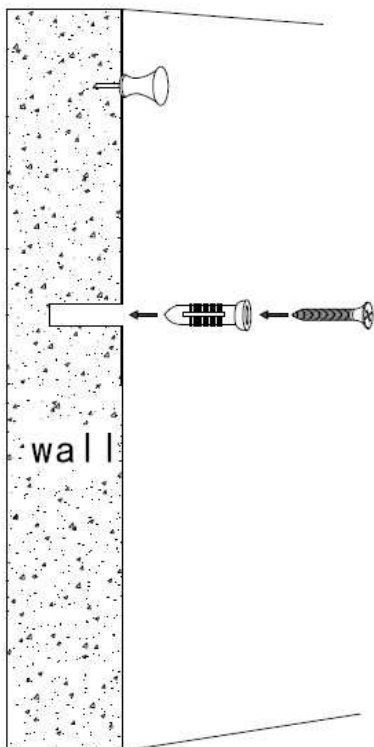
# DECORATIVE MIRROR--MELISSA

## Assembly Instructions

**NOTE: NO DRILLED HOLE OR PLASTIC ANCHOR REQUIRED WHEN MOUNTING TO WOOD WALL. USE SCREW ONLY. WE DO NOT SUPPLY HARDWARE FOR MOUNTING ON CONCRETE WALLS.**



**"the holes measurement on wall must match with the holes measurement on back of the unit"**



Mark three holes on wall. The distance between the two holes must match the distance on back of the unit.

One screw supporting the mirror must be attached directly into a wall stud. Wall anchor is not needed when mounting to wall stud.

Drill 3/16" hole on the other mark for the mirror.

Insert plastic anchors (A) into the holes of wall as shown.

(When doing this, you will need a hammer help you).

Using the Phillips head screwdriver, install screw (B) into each of the anchors (A). Turn the screw (B) in until there is a gap of 3mm between the head of the screw and the wall as shown.

Hang the unit onto the screw (B) and be sure that the bracket is resting securely on the mounting screw (B).

Please hang the mirror first before attaching the knob to wall.

Caution: The knob is designed for decoration only and it's not meant to "hold" the entire mirror's

weight.

# Parts Replacement Form

## Customer Information

Name \_\_\_\_\_

Address \_\_\_\_\_

City/State/Zip Code \_\_\_\_\_

Phone Number \_\_\_\_\_

Please indicate where you purchased this item: Store/Website/Catalog  
\_\_\_\_\_

Please indicate color/size/style number:  
\_\_\_\_\_

Style No	Parts Letter	Parts Description	Quantity Needed
_____	_____	_____	_____
_____	_____	_____	_____
_____	_____	_____	_____

Please immediately examine this product carefully. Any request for missing parts or damage replacement must be received within 90 days of your receipt of the product. Replacement, if available, will be honored within this time frame. Parts will not be available for items arriving fully assembled. We do not recommend modifying product(s) and we are not responsible for any damages due to product modification(s). If damages or missing parts are not reported within 90 days of your receipt, we are under no obligation to provide parts or replacement merchandise.

Please contact Southern Enterprises at 800-633-5096 or in Dallas 972-869-0111/ 9am – 4pm Mon-Fri Central time if you have product issues or email us at [service@seidal.com](mailto:service@seidal.com). Please ask for customer service representative for issues involving damages or replacement parts. Please ask for technical assistance representative for any issues with product and assembly/construction.

Please contact the retailer that you purchased from for returns.



**Southern**  
ENTERPRISES

Customer Service 1-800-633-5096

[service@seidal.com](mailto:service@seidal.com)

Southern Enterprises, Inc.

600 Freeport Parkway, Suite 200

Coppell, Texas 75019