

CARLOS DESK

HO974900TX-BLACK

ASSEMBLY INSTRUCTION

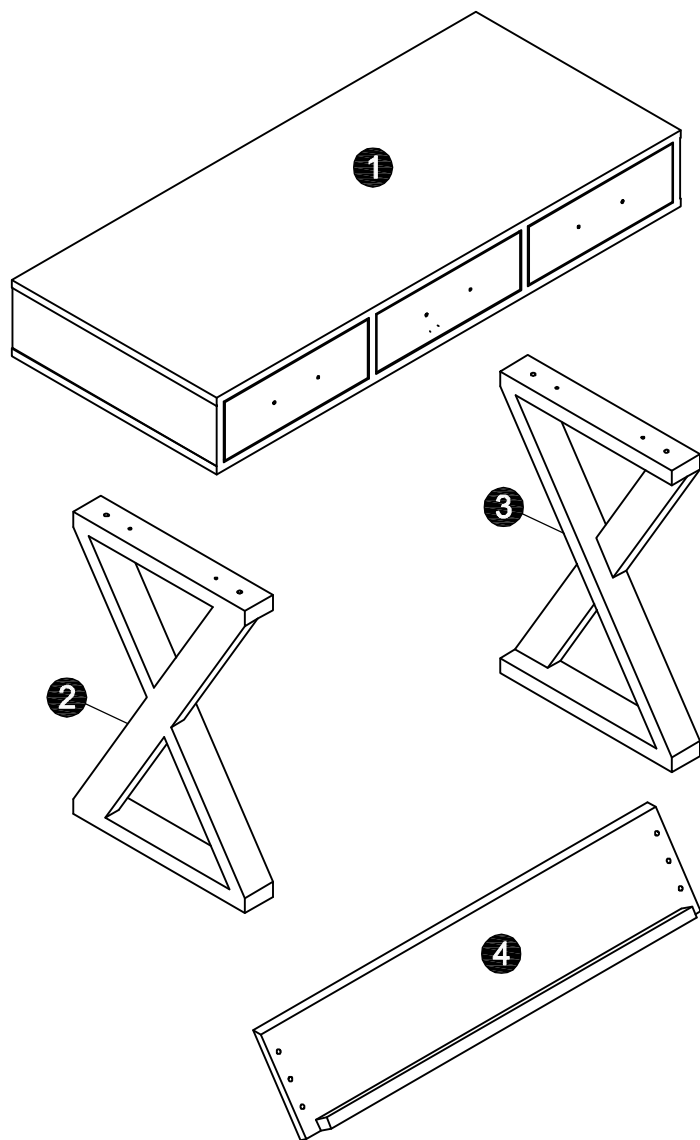


**Southern
ENTERPRISES**

For assistance with assembly contact:
Southern Enterprises Inc.
Customer Service 1-800-633-5096
service@seidal.com
www.seidal.com



PARTS LIST



PART	DESCRIPTION	QUANTITY
1	Top Panel	1
2	Left Leg	1
3	Right Leg	1
4	Shelf Panel	1

HARDWARE CONTENTS

A



Wood Dowel
Qty. 6

B



Hexagon Socket Bolt
Qty. 8

C



Spring Washer
Qty. 8

D



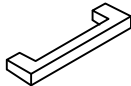
Flat Washer
Qty. 8

E



Allen Wrench
Qty. 1

F



HANDLE
Qty. 3

G



ROUND HEAD SCREW
Qty. 6

SAFETY INFORMATION

please read and understand this entire manual before attempting to assemble, operate or install the product. If you have any questions regarding the product, please call customer service at 800-633-5096 or in Dallas 972-869-0111/ 9am - 4pm Mon-Fri.

WARNING

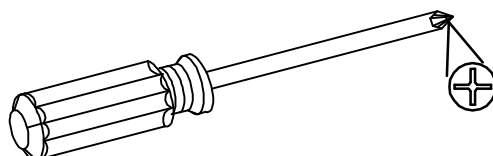
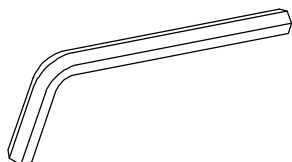
- Product is heavy and should be assembled near its desired location.
- It is recommended that two people move the finished mantel to prevent injury.

PREPARATION

Before beginning assembly of product, make sure all parts are present. Compare parts with package contents list and hardware contents above. If any part is missing or damaged, do not attempt to assemble the product. Contact customer service for replacement parts.

Estimated Assembly Time: 45 minutes






Tools Required for Assembly: Allen Wrench (included), Phillips Screwdriver (not included)

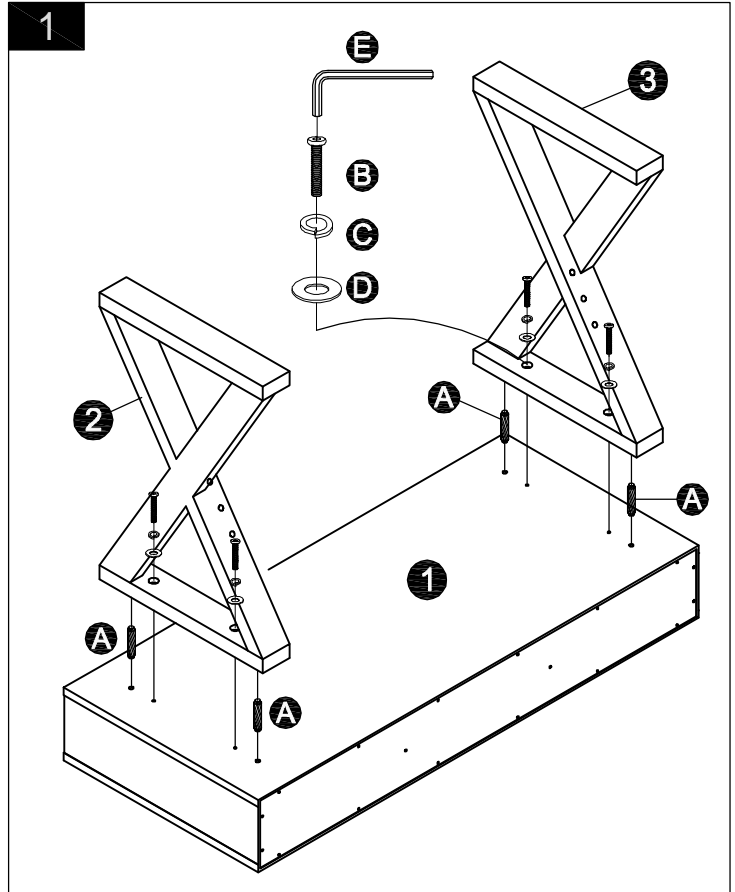


ASSEMBLY INSTRUCTIONS

1. Attach left leg (2) & right leg (3) to top panel (1) by slipping wood dowel(A) into corresponding predrilled holes until left leg (2) & right leg (3) & top panel (1) meet.
Use allen wrench (E) & hexagon socket bolt (B) & spring washer (C) & flat washer (D) connect left leg (2) & right leg (3) & top panel (1) together.






Hardware Used

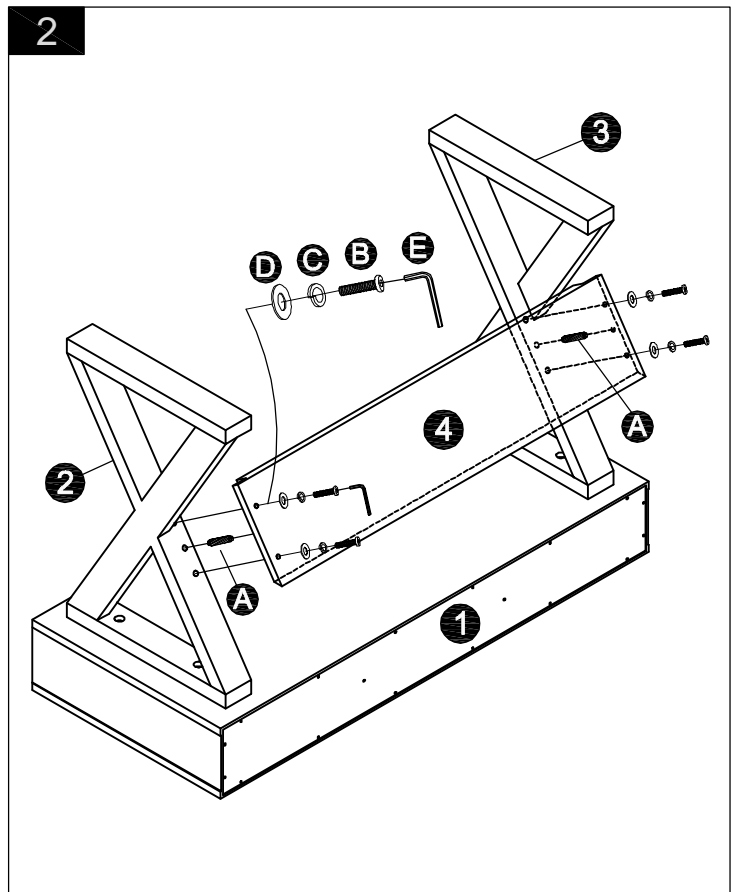
A		Wood Dowel	X 4
B		Hexagon Socket Bolt	X 4
C		Spring Washer	X 4
D		Flat Washer	X 4
E		Allen Wrench	X 1



2. Attach shelf panel (4) to left leg (2) & right leg (3) by slipping wood dowel(A) into corresponding predrilled holes until left leg (2) & right leg (3) & shelf panel (4) meet.
Use allen wrench (E) & hexagon socket bolt (B) & spring washer (C) & flat washer (D) connect left leg (2) & right leg (3) & shelf panel (4) together.

Hardware Used





A		Wood Dowel	X 2
B		Hexagon Socket Bolt	X 4
C		Spring Washer	X 4
D		Flat Washer	X 4
E		Allen Wrench	X 1



ASSEMBLY INSTRUCTIONS

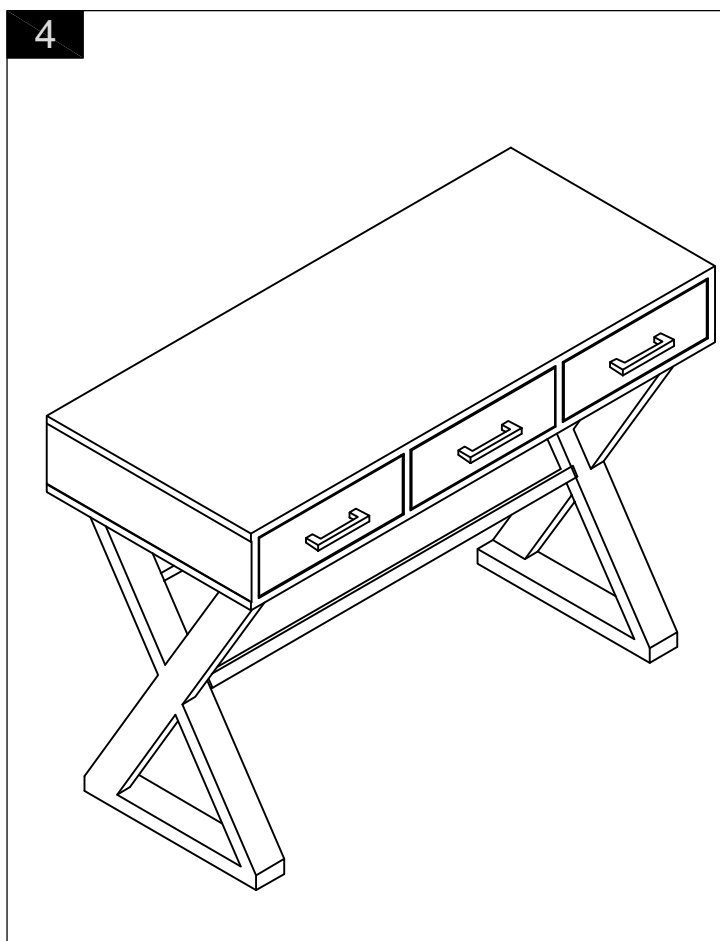
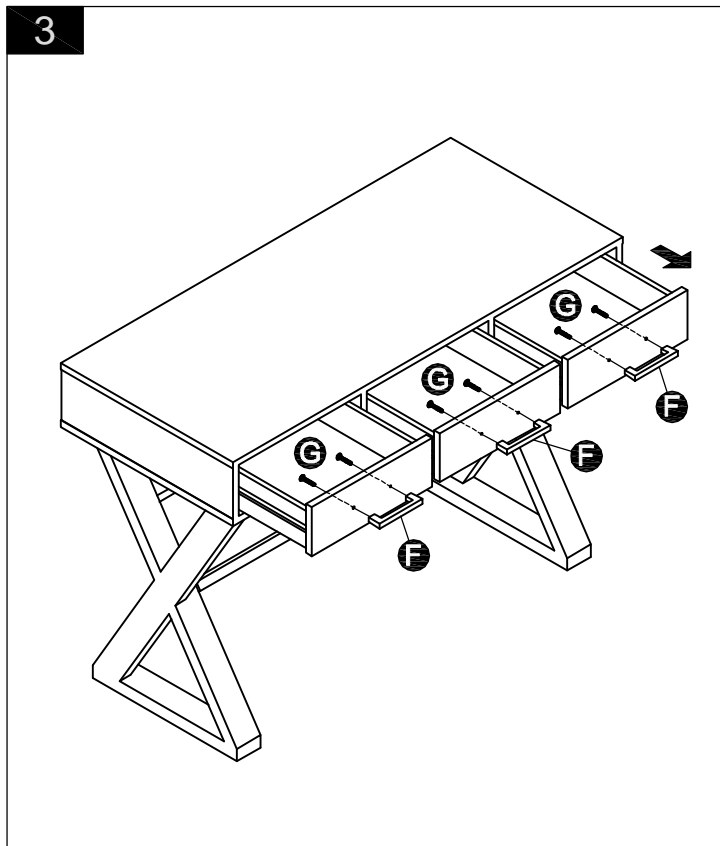
3. Use round head screw (G) connect handle (F) & drawer together.

Hardware Used

		Handle	X 3
		Round Head Screw	X 6

4. Now your new desk is ready to use.

Max loading weight for top is 60 lbs
Max loading weight for shelf is 10 lbs
Max loading weight for drawers is 7 lbs



Parts Replacement Form

Customer Information

Name _____

Address _____

City/State/Zip Code _____

Phone Number _____

Please indicate where you purchased this item: Store/Website/Catalog

Please indicate color/size/style number:

Style No	Parts Letter	Parts Description	Quantity Needed
_____	_____	_____	_____
_____	_____	_____	_____
_____	_____	_____	_____
_____	_____	_____	_____

Please immediately examine this product carefully. Any request for missing parts or damage replacement must be received within 90 days of your receipt of the product . Replacement, if available, will be honored within this time frame . Parts will not be available for items arriving fully assembled. We do not recommend modifying product(s) and we are not responsible for any damages due to product modification(s). If damages or missing parts are not reported within 90 days of your receipt, we are under no obligation to provide parts or replacement merchandise.

Please contact Southern Enterprises at 800-633-5096 or in Dallas 972-869-0111/ 9am - 4pm Mon-Fri Central time if you have product issues or email us at service@seidal.com. Please ask for customer service representative for issues involving damages or replacement parts. Please ask for technical assistance representative for any issues with product and assembly/construction.

Please contact the retailer that you purchased from for returns.



Southern
ENTERPRISES

Customer Service 1-800-633-5096
service@seidal.com
Southern Enterprises, Inc.
600 Freeport Parkway, Suite 200
Coppell, Texas 75019