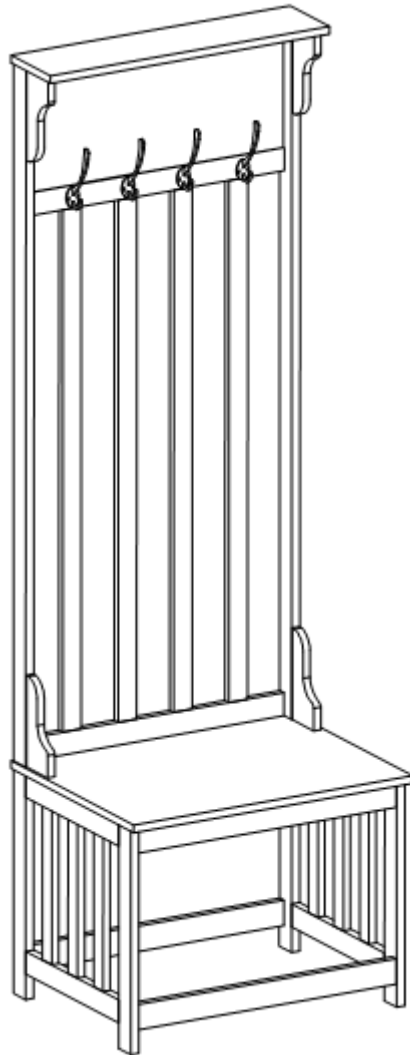


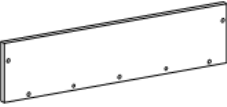

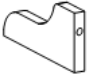
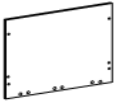
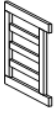



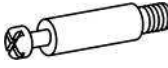


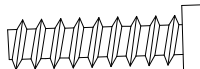

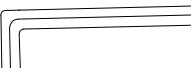


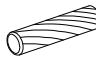




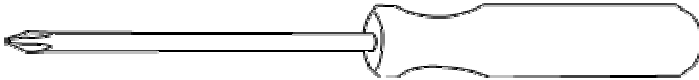
HE408000TX  
Mission Hall Tree Bench  
Assembly Instruction



For assistance with assembly contact:  
Southern Enterprises Inc.  
Customer Service 1-800-633-5096  
service@seidal.com  
www.seidal.com

**250lb Max Seat Load.**



<b>A</b>  <b>Quantity Of 1</b> <b>Top Panel</b>	<b>B</b>  <b>Quantity Of 1</b> <b>Back Panel</b>	<b>C</b>  <b>Quantity Of 4</b> <b>Wooden Support Panel</b>
<b>D</b>  <b>Quantity Of 1</b> <b>Seat Panel</b>	<b>E</b>  <b>Quantity Of 2</b> <b>Side Panel</b>	<b>F</b>  <b>Quantity Of 1</b> <b>Front Top Stretcher</b>
<b>G</b>  <b>Quantity Of 1</b> <b>Back Top Stretcher</b>	<b>H</b>  <b>Quantity Of 2</b> <b>Bottom Stretcher</b>	<b>1</b>  <b>Quantity Of 21</b> <b>Cam Bolt 1/4"x1-1/2"</b>
<b>2</b>  <b>Quantity Of 21</b> <b>Cam Lock 5/8"x1/2"</b>	<b>3</b>  <b>Quantity Of 12</b> <b>Bolt 3/16" x1</b>	<b>4</b>  <b>Quantity Of 3</b> <b>Bolts 1/4"x 1-1/2"</b>
<b>5</b>  <b>Quantity Of 3</b> <b>Washer 1/4"</b>	<b>6</b>  <b>Quantity Of 1</b> <b>Wrench</b>	<b>7</b>  <b>Quantity Of 4</b> <b>Hanger</b>
<b>8</b>  <b>Quantity Of 8</b> <b>Screw 1/8"x1/2"</b>	<b>9</b>  <b>Quantity Of 2</b> <b>Dowel 1/4 x1-1/4"</b>	<b>10</b>  <b>Quantity Of 3</b> <b>Screw 5/32"x1"</b>
<b>11</b> <b>Quantity Of 8</b>  <b>Adhesive Pad</b>	<b>12</b> <b>Quantity Of 4</b>  <b>Dowel 5/16" x1-1/4"</b>	<b>13</b> <b>Quantity Of 2</b>  <b>Plastic Anchor</b>
<b>Care and Cleaning Instructions:</b> Before using, wipe with a clean, dry cloth. Periodically apply furniture wax to renew The finish. Avoid rubbing or scratching the surface with rough or abrasive objects.		For replacement parts or questions, please call Customer Service at 1-800-633-5096. Do not return product to store. Please call manufacturer for assistance, questions or parts.
<b>Assembly Tool Required</b> <b>No.2 Phillips Screw Driver</b>		

**Tool List: 3/16" drill bit, drill, tape measure and pencil.**

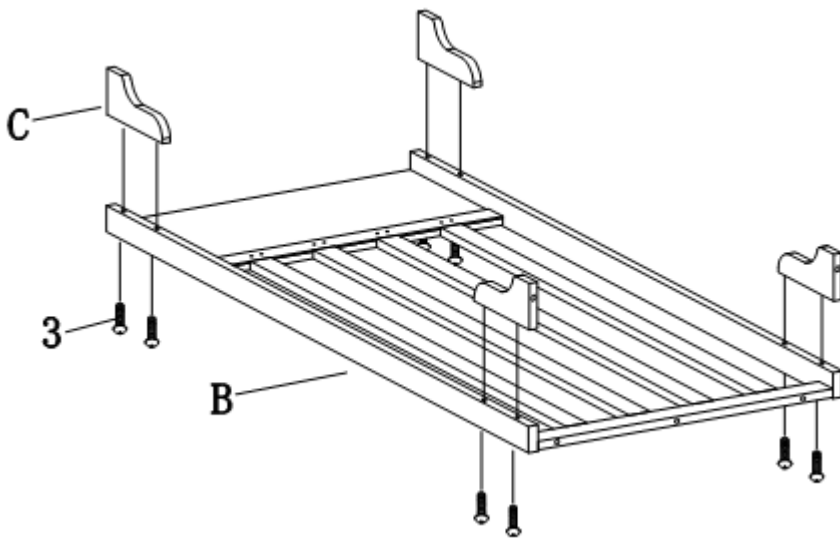
# HE408000TX

## Mission Hall Tree Bench Assembly Instruction

PLEASE DO NOT  
OVERTIGHTEN CAMBOLTS.  
PLEASE STOP WHEN YOU  
FEEL TIGHT.

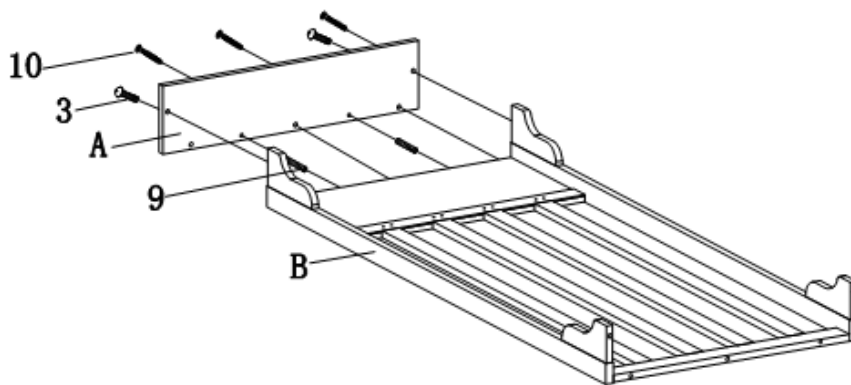
**Step 1:**

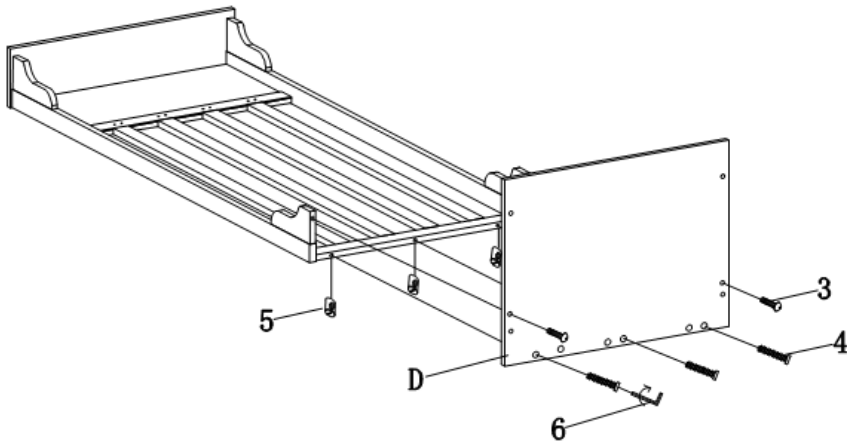
**Attach wooden support  
panel (C) to back panel (B)  
by using bolt (3) as shown.**



**Step 2:**

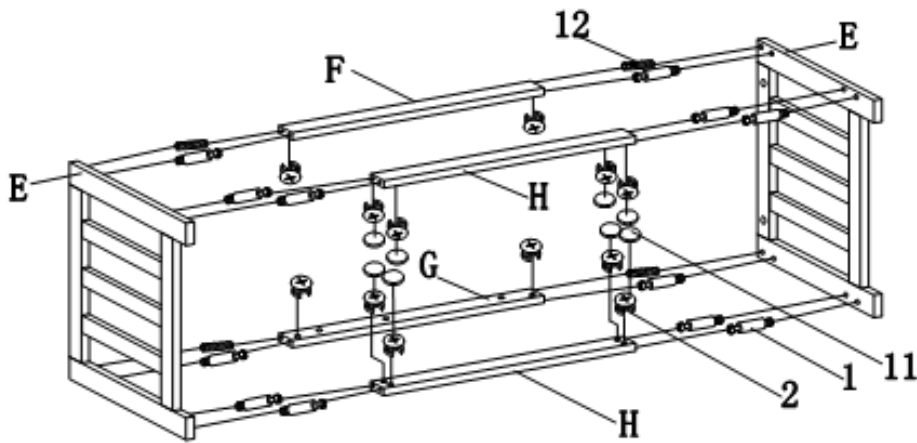
**Attach top panel (A) to back  
panel (B) by using dowel (9),  
bolt (3) and screw (10).**





**Step 3:**

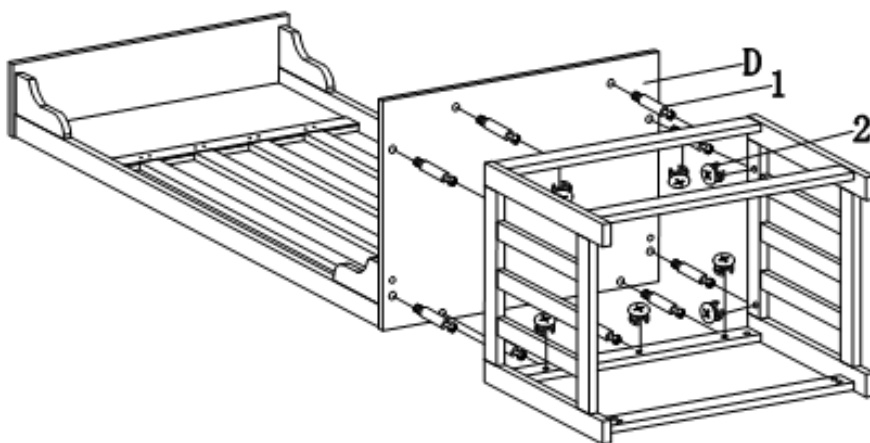
Attach seat panel (D) to back panel (B) by using bolt (4), washer (5) and bolt (3) as shown.



**Step 4:**

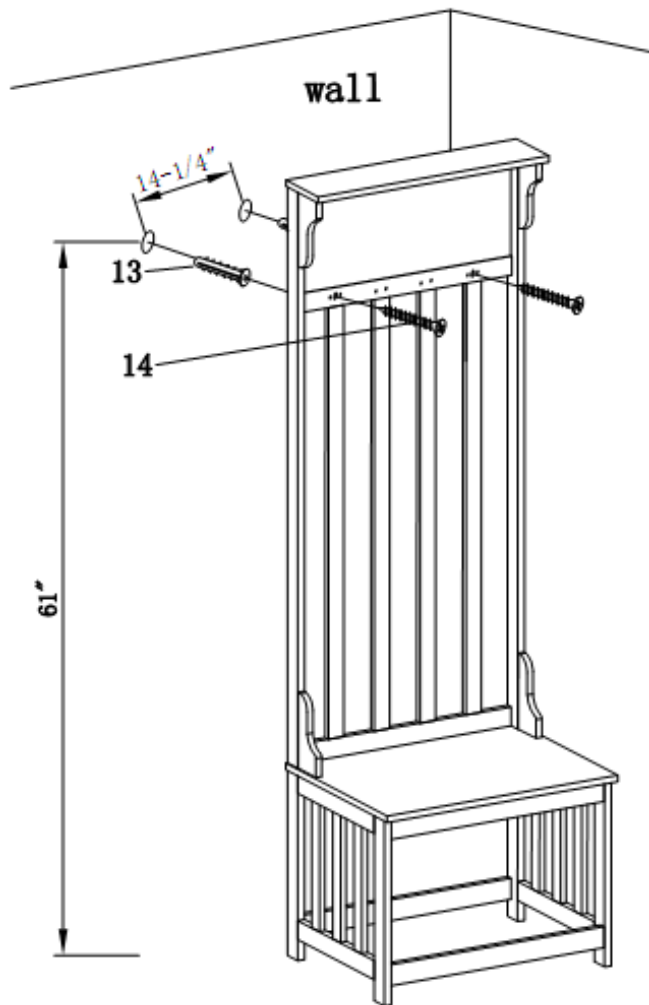
Attach front top stretcher (F), back top stretcher (G) and bottom stretcher (H) to side panel (E) by using cam bolt (1), cam lock (2) and dowel (12) as shown.

Stick adhesive pad (11) on cam lock (2).



**Step 5:**

Attach seat frame to seat panel (D) by using cam bolt (1) and cam lock (2) as shown.



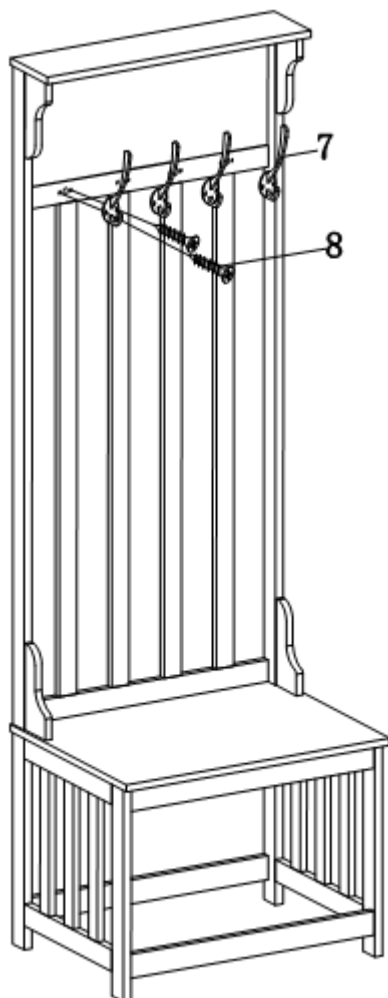
**Step 6:**

Drill two 3/16" holes on the wall with measurements as shown.

**Please mount at least 1 screw into a wall stud.**

Insert plastic anchor (13) into the holes of wall as shown. (When doing this, you will need a hammer help you).

Using the Phillips head screwdriver, install screw (14) into each of the anchors (13) as shown.



**Step 7:**

Attach hanger (7) to hall tree bench by using screw (8) as shown.

We'd love to hear from you! Email us photos of our products in your home at [sei@seidal.com](mailto:sei@seidal.com) and we might feature it on our site or use it to model one of our inspirational photos.

**“PARTS WILL BE SENT IF AVAILABLE FROM SEI” “THIS IS NOT A WARRANTY”**

---

## Parts Replacement Form

### Customer Information

Name \_\_\_\_\_

Address \_\_\_\_\_

City/State/Zip Code \_\_\_\_\_

Phone Number \_\_\_\_\_

Please indicate where you purchased this item: Store/ Website/ Catalog

\_\_\_\_\_

Please indicate color/size/style number:

\_\_\_\_\_

Style No	Parts Letter	Parts Description	Quantity Needed

Please count, identify and compare parts and hardware list to be sure all parts are present. It may help to divide parts and label them to correspond with part list. Extra hardware may be included. If any items are missing, **please contact Southern Enterprises at 800-633-5096 or in Dallas (972) 869-0111/ 9am – 4pm Mon-Fri Central time if you have product issues with your purchase. Please ask for a customer service representative for issues involving damages or replacement parts. Please ask for a technical assistance representative for any issues with product assembly and product construction. Please contact the retailer that you purchased from for returns.**

Missing or damaged hardware and/ or parts will be replaced free of charge. **We do not sell parts. We do not recommend modifying product(s) and we are not responsible for any damages due to product modification(s).**

If this product has not been purchased from our retail affiliates (within 9 months), we are under no obligation to provide parts or replacements merchandise. Parts will not be available for items arriving fully assembled.



Customer Service 1-800-633-5096  
[service@seidal.com](mailto:service@seidal.com)

Southern Enterprises, Inc.  
600 Freeport Parkway, Suite 200  
Coppell, Texas 75019