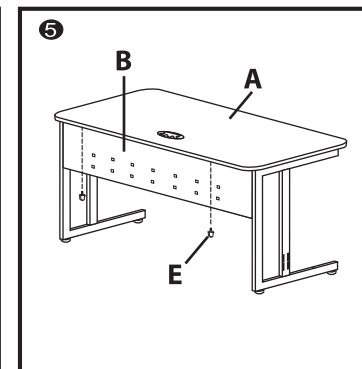
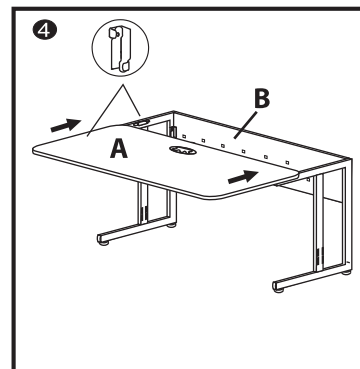
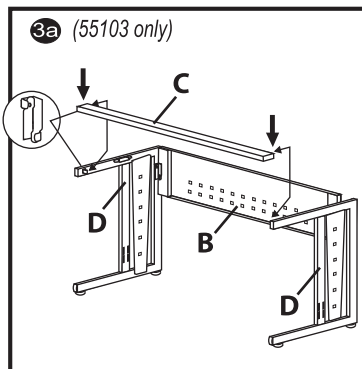
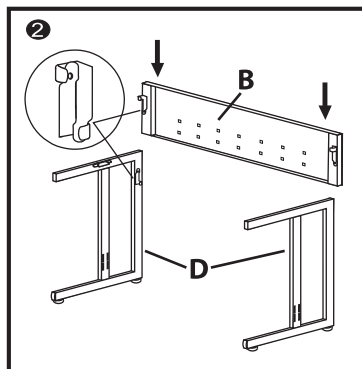
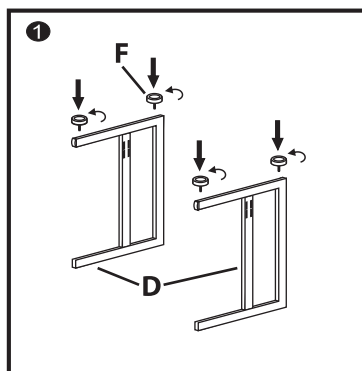
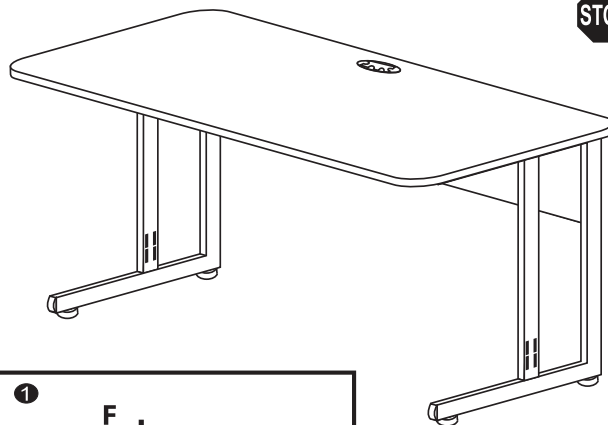
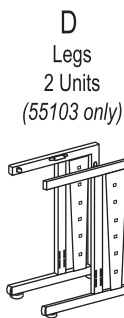
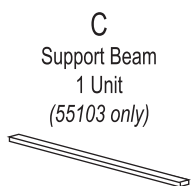
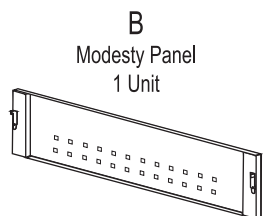
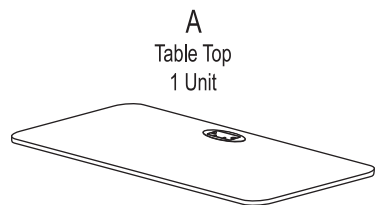


Models 55103 / 55139 Modular Training/Utility Table

Parts Listing



Assembly Instructions



No Tools Required

For easy assembly, match same color stickers

Step 1: Insert Leveling Glides (F) into base of both Legs (D).

Step 2: Attach Modesty Panel (B) to Legs (D) using metal interlocking system to secure. Match same color stickers on interior of Legs (D) with stickers on inside of Modesty Panel (B). You will notice the Legs (D) starting to dip in a little bit which is forced by the interlocking mechanisms.

Step 3a: (Model 55103 only) Attach Support Beam (C) to Legs (D) using interlocking system. This will straighten legs for Model 55103.

Step 3b: Place Table Top (A) on top of built base.

Step 3c: (Model 55139 only) From underneath Table Top (A), pull out each Leg (D) so it sits to the outside of the interlocking mechanisms of Table Top (A). This will straighten legs for Model 55139.

Step 4: Slide Table Top (A) toward Modesty Panel (B) so interlocking mechanism locks in on one side. Repeat on other side making sure it locks itself securely.

Step 5: Screw Safety Knobs (E) into Table Top (A).

CAUTION:

1. Do not use this desk as a step ladder.
2. Check for loose knobs and tighten them every 6 months.

09.05.2014

ofm
Furniture For The Real Office™

161 Tradition Trail, Holly Springs, NC, 27540
800-520-7471 (voice) 919-362-4765 (fax)
919-303-6389 (voice) www.ofminc.com
support@ofminc.com