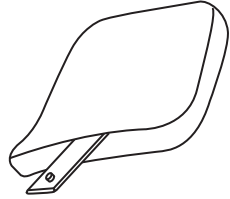


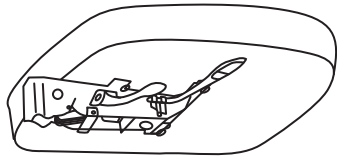
Model 700 / 700-AA6 Big & Tall Chair

Parts Listing

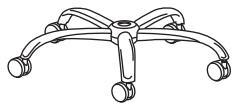
A
Chair Back
1 Unit



B
Chair Seat
1 Unit



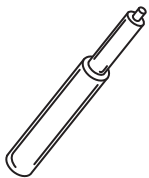
C
Chair Base
1 Unit



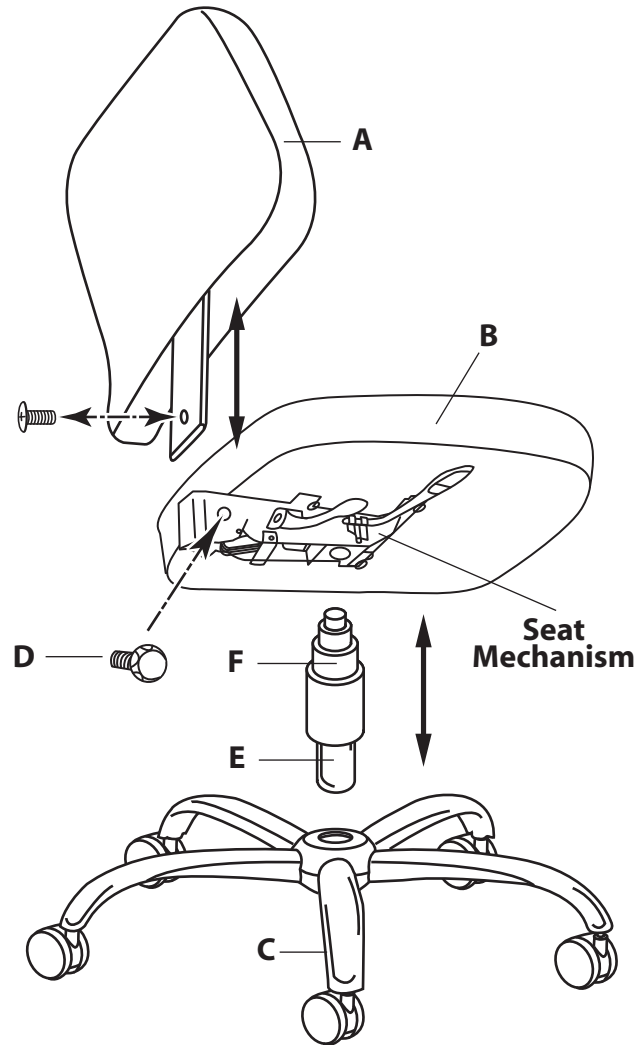
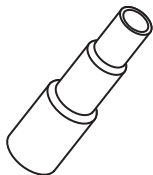
D
Back Knob
1 Unit



E
Gas Lift
1 Unit



F
Telescopic Bellows
1 Unit



WEIGHT CAPACITY: 400 lbs.

Assembly Notes:

During assembly, hand tighten screws. Only when all screws are in place, you may then tighten all screws completely.

CAUTION:

1. Do not use this chair as a step ladder.
2. Check for loose screws and tighten them every 6 months.

Assembly Instructions:



Tools Needed: Philips Head Screwdriver

Please read all instructions before assembly.

Step 1: Insert Gas Lift (E) into Chair Base (C).

Step 2: Cover Gas Lift (E) with Telescopic Bellows (F).



If you are assembling a model with optional AA-6 Arms please proceed to subsequent pages for armrest assembly instructions.

Step 3: Carefully place Chair Seat (B) with attached seat mechanism onto the Gas Lift (E), aligning the hole in the seat mechanism with Gas Lift. Press down on Chair Seat (B) to secure onto Chair Base (C).

Step 4: Temporarily remove the screw from Chair Back (A) support bar. Slide Chair Back (A) with attached back support bar into the slot in the seat mechanism. After the hole in the support bar passes the mechanism, reinsert the screw into the support bar. This screw is used to prevent the back from coming out of the mechanism when adjusting the back height.

Step 5: Attach and hand tighten the Back Knob (D) on seat mechanism until the Chair Back (A) is properly secured.

Step 6: Carefully sit on chair to make sure the Gas Lift (E) is properly inserted into the Chair Base (C).

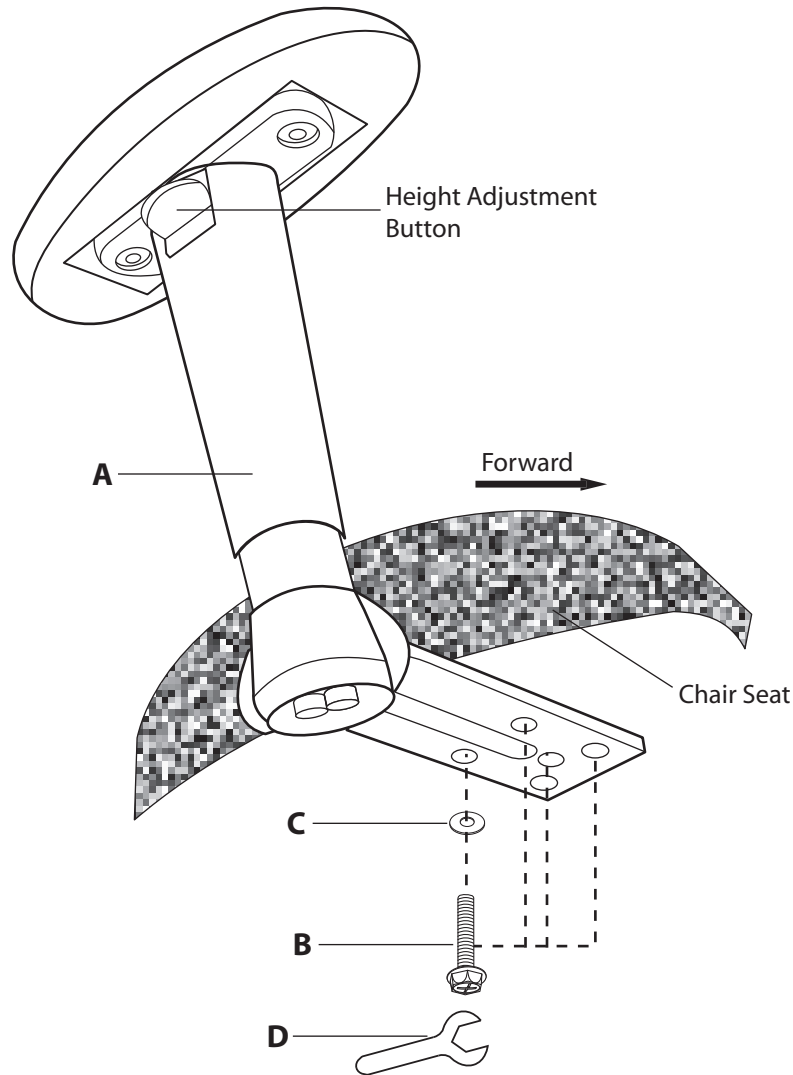
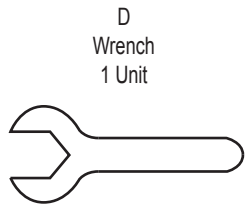
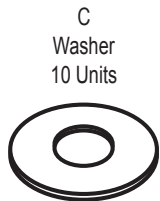
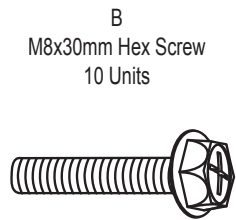
Step 7: Operate the gas lift lever on the seat mechanism, to be sure unit is working properly.

ofm
Furniture For The Real Office™

161 Tradition Trail, Holly Springs, NC, 27540
800-520-7471 (voice) 919-362-4765 (fax)
919-303-6389 (voice) www.ofminc.com
support@ofminc.com

Model AA-6 Adjustable Arms for Model 700

Parts Listing



Assembly Instructions



Tools Needed: Phillips Head Screwdriver
Please read all instructions before assembly.

Step 1: Turn Chair Seat upside down and place on a clean, non-abrasive surface.

Step 2: Align the pre-drilled holes in the Adjustable Armrest (A) with the holes in the bottom of the Chair Seat, making sure that the arms face the correct direction.

Step 3: Place five Washers (C) onto five M8x30mm Hex Screws (B) and insert through the Armrest (A) holes and into the Chair Seat.

Step 4: Tighten Screws (B) using supplied Wrench (D) or screwdriver. It is recommended that to assure screws are secure, a screwdriver is used to tighten.

To Adjust Arms:

Pull up on the Height Adjustment Button and slide to desired height.

Assembly Notes:

During assembly, hand tighten screws. Only when all screws are in place, you may then tighten all screws completely.

CAUTION:

1. Do not use this chair as a step ladder.
2. Check for loose screws and tighten them every 6 months.

ofm
Furniture For The Real Office™

161 Tradition Trail, Holly Springs, NC, 27540
800-520-7471 (voice) 919-362-4765 (fax)
919-303-6389 (voice) www.ofminc.com
support@ofminc.com