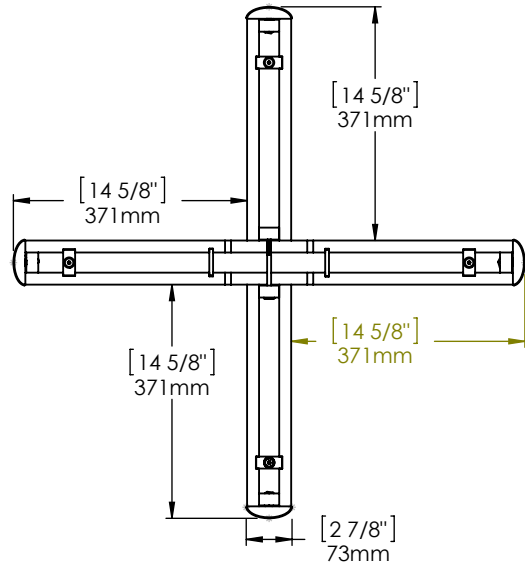
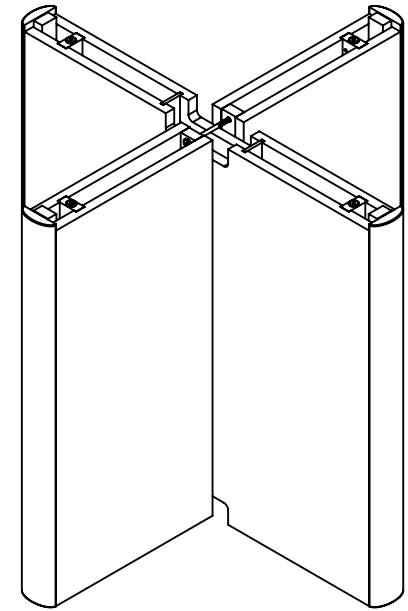


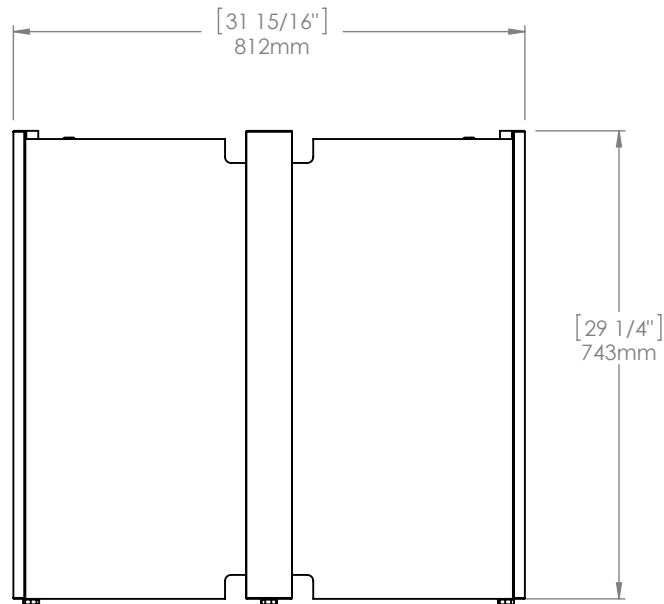
# MODEL SM20



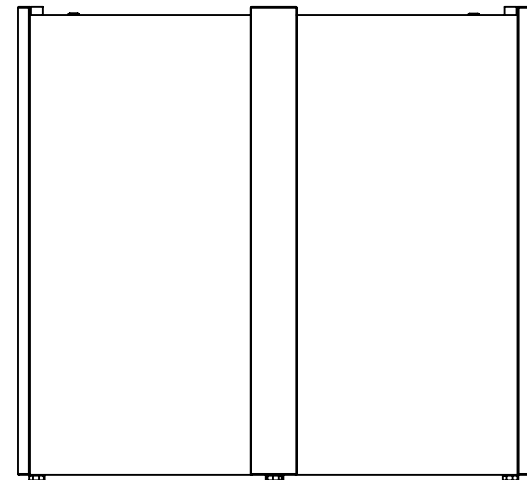
TOP VIEW



ISOMETRIC VIEW



FRONT VIEW



SIDE VIEW