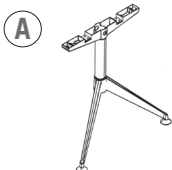
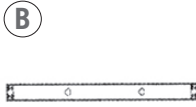
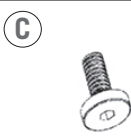

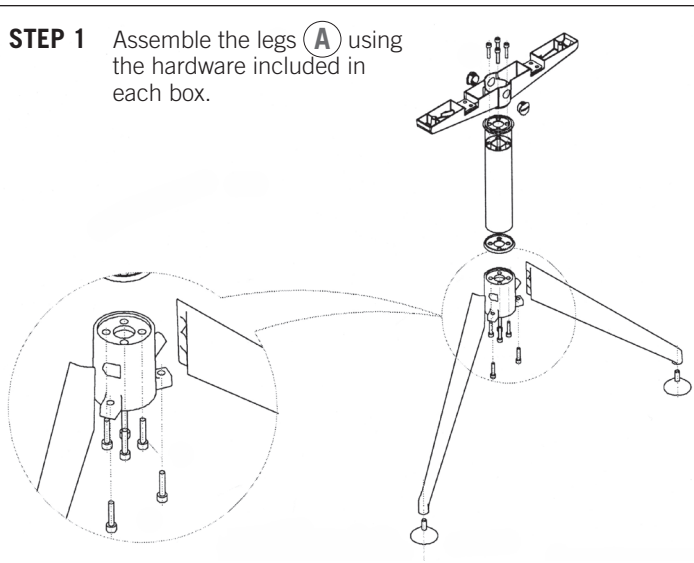


800-558-1010
www.NBF.com

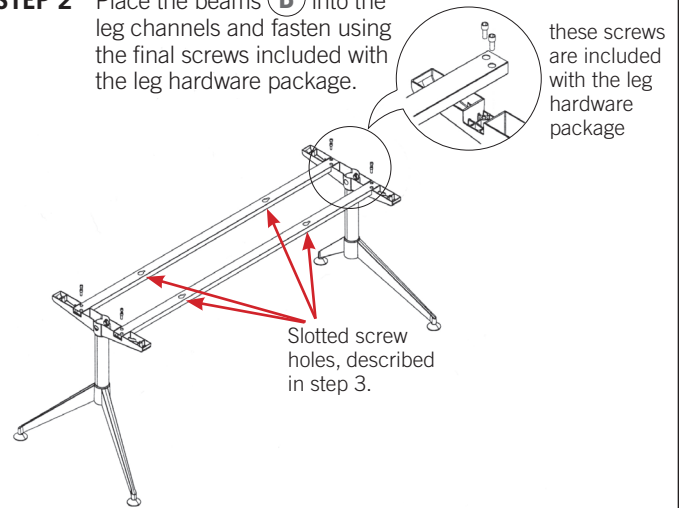
Congratulations on the purchase of your new *Signature Series* table!

ITEM	DESCRIPTION	QTY.
	Leg – shown assembled (assembly hardware included)	2
	Beam	2
	Cylinder-head hex screw	4
	Cross-head screw	4

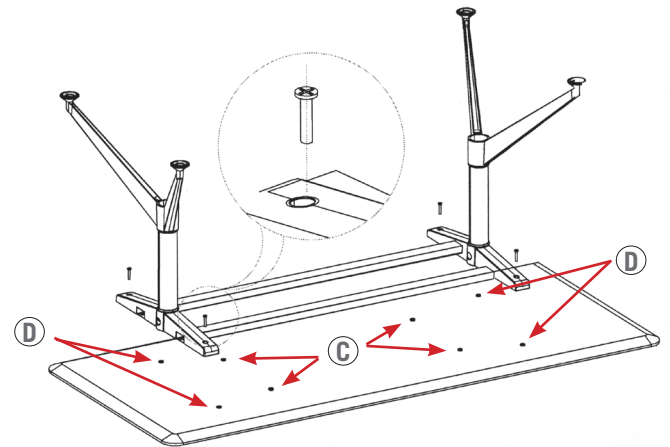
STEP 1 Assemble the legs (A) using the hardware included in each box.



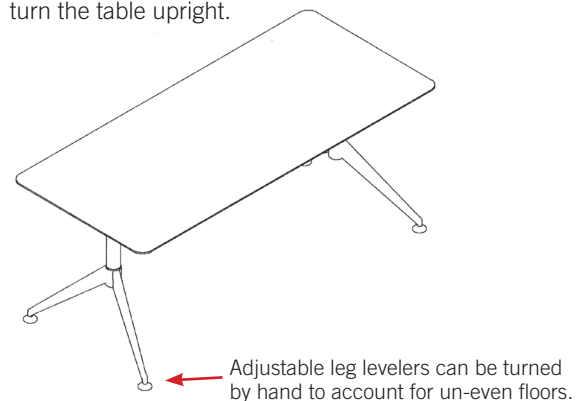
STEP 2 Place the beams (B) into the leg channels and fasten using the final screws included with the leg hardware package.



STEP 3 Place the 4 cylinder-head screws (C) in the 4 center holes in the top and tighten half way. Place the slotted holes in the frame over the screws and slide the frame so those screws are in the slots. Place the 4 cross-head screws (D) through the frame and into the remaining 4 holes in the top. Tighten all the screws securely.



STEP 4 Finished! Please use 3-4 people to turn the table upright.



Adjustable leg levelers can be turned by hand to account for un-even floors.