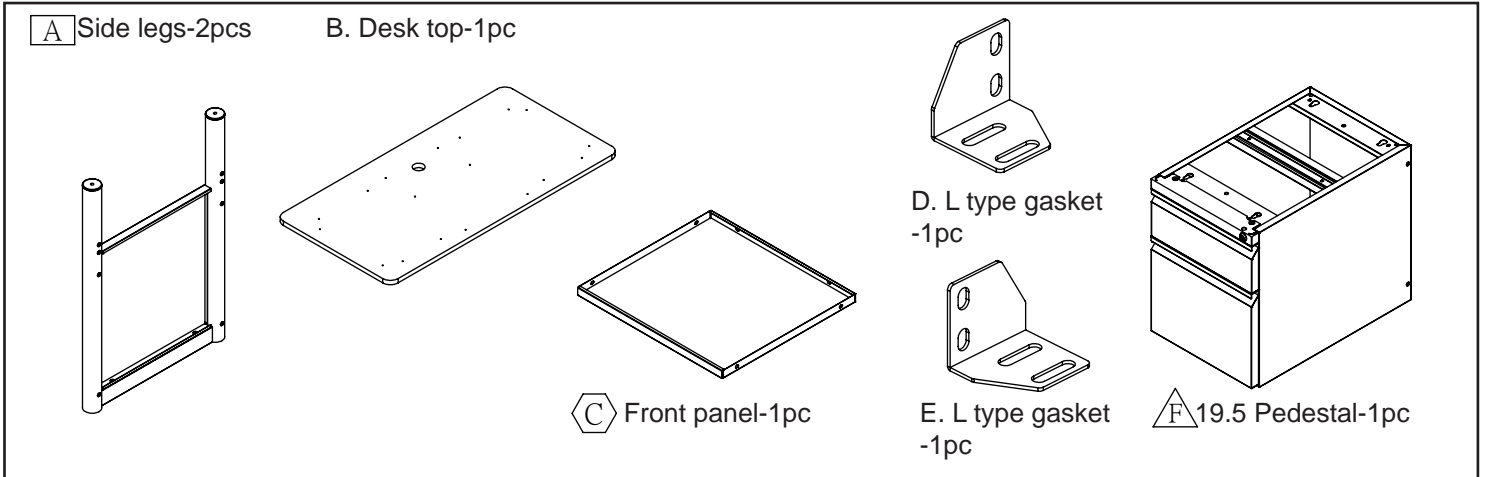
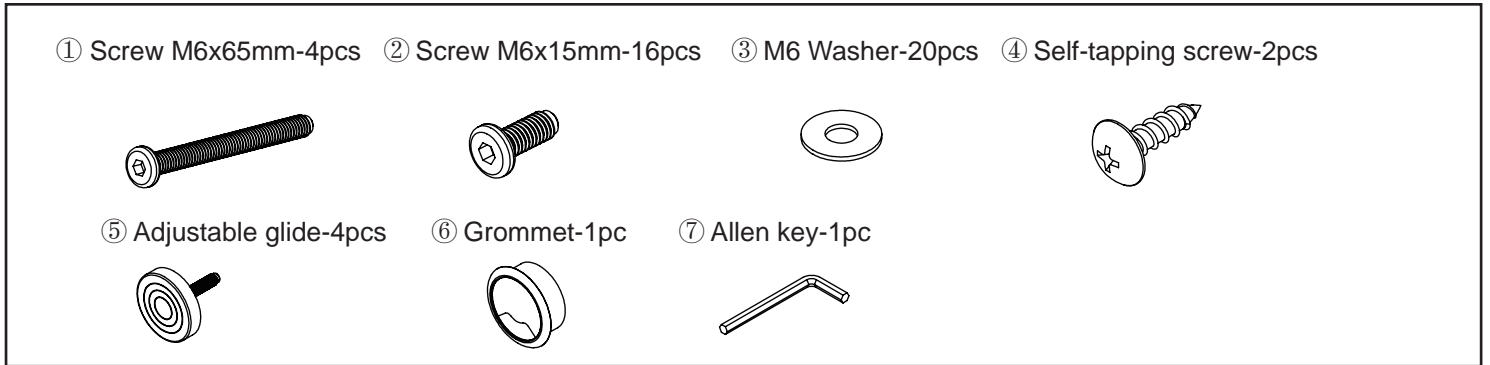


Congratulations on the purchase of your new *Signature Series* product!

COMPONENTS

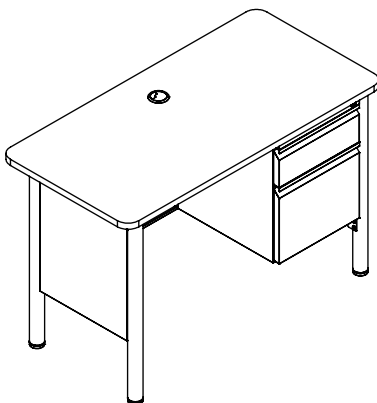


HARDWARE & TOOLS

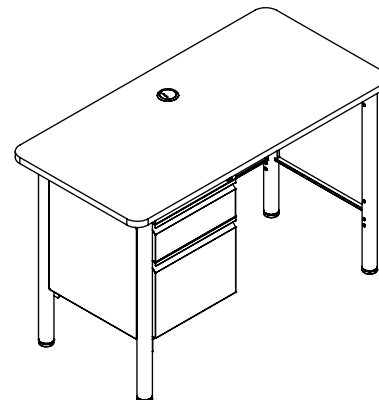


INSTRUCTIONS-You May Choose to Assemble The Pedestal Drawers on Right or Left Side.

**For Right Side Pedestal Follow
Step 1-Step 2 (PAGE 2)**

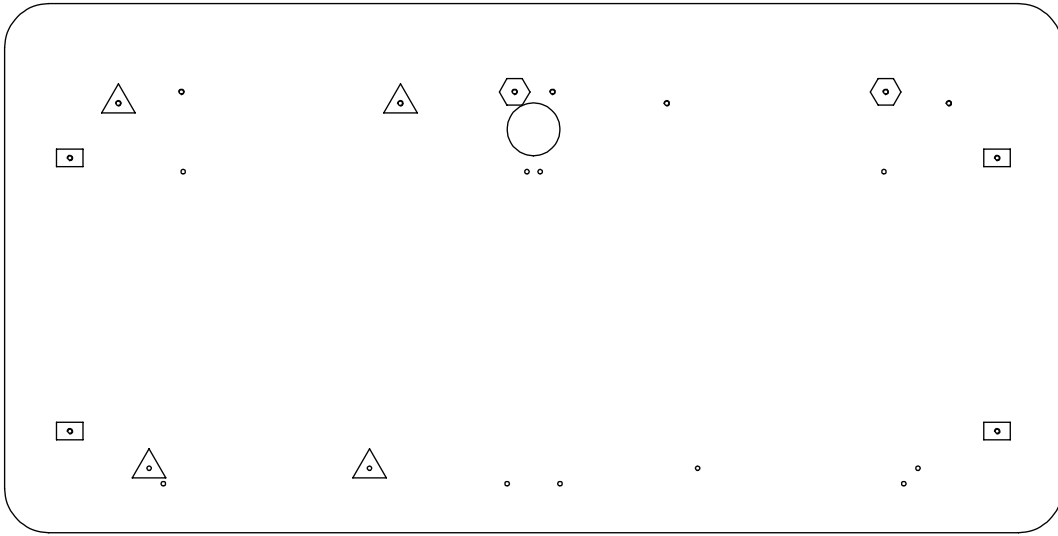


**For Left Side Pedestal Follow
Step 3-Step 4 (PAGE 3)**



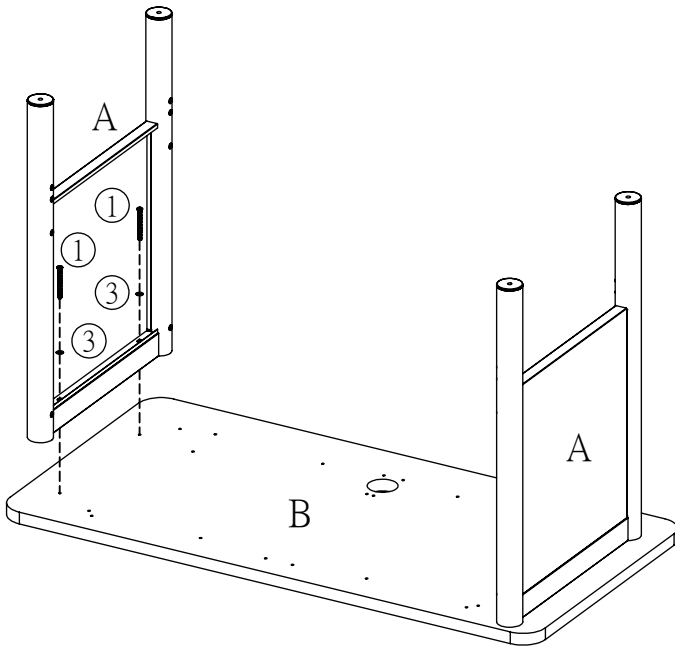
Congratulations on the purchase of your new *Signature Series* product!

INSTRUCTIONS FOR RIGHT SIDE PEDESTAL

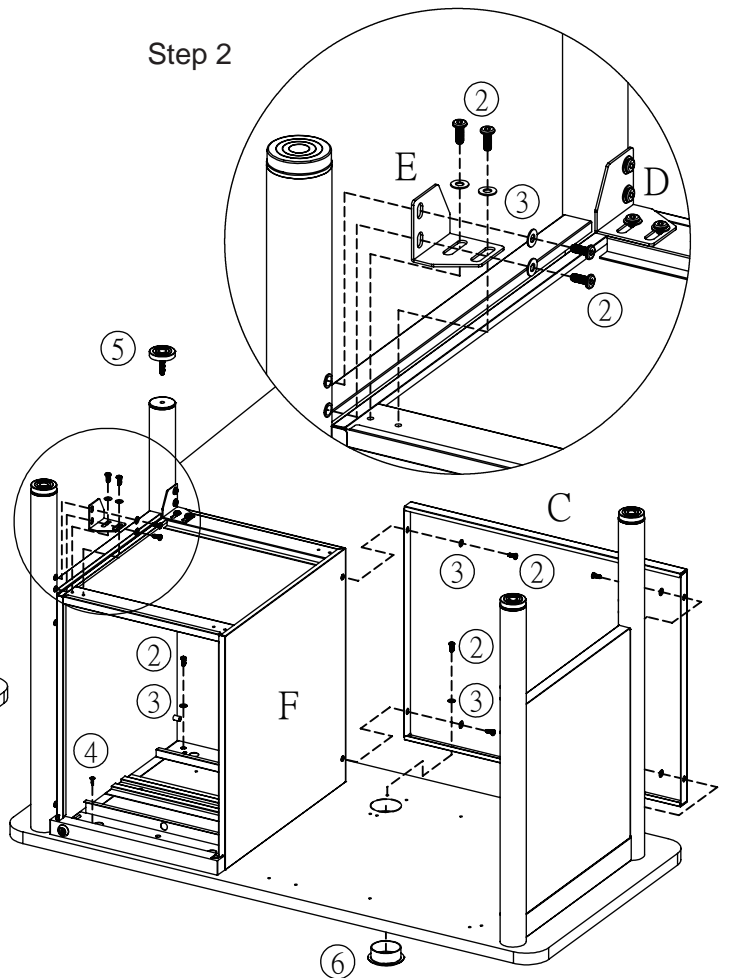


□ A ◻ C △ F (THE MARKS IN BLACK COLOR)

Step 1

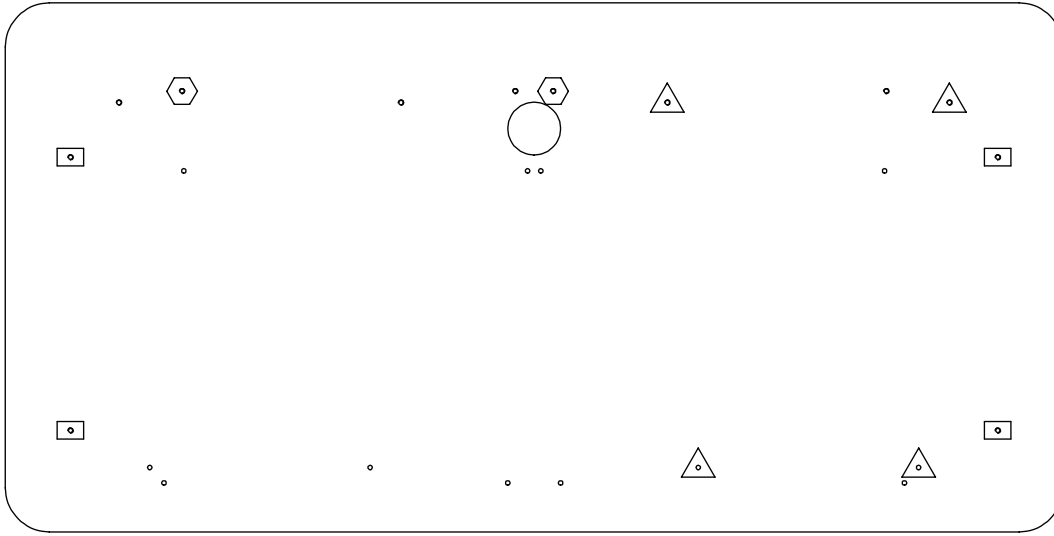


Step 2



Congratulations on the purchase of your new *Signature Series* product!

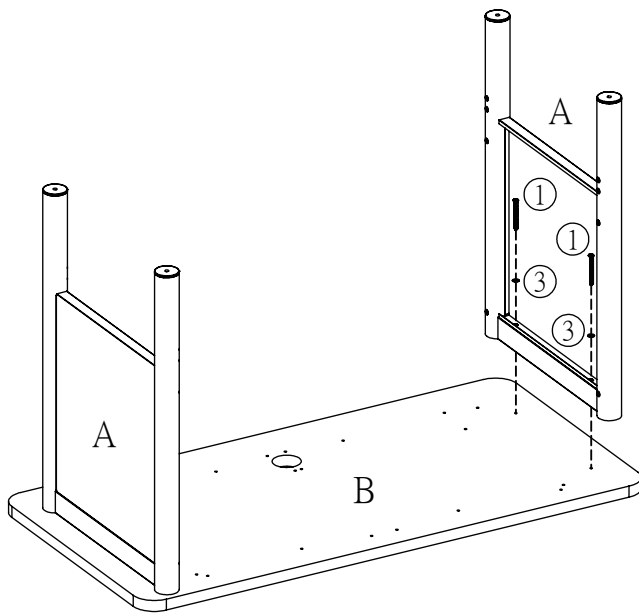
INSTRUCTIONS FOR LEFT SIDE PEDESTAL



□ A ⬡ C △ F

(THE MARK A IN BLACK COLOR, MARKS C & F IN WHITE COLOR)

Step 3



Step 4

