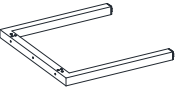




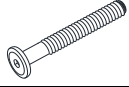
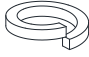




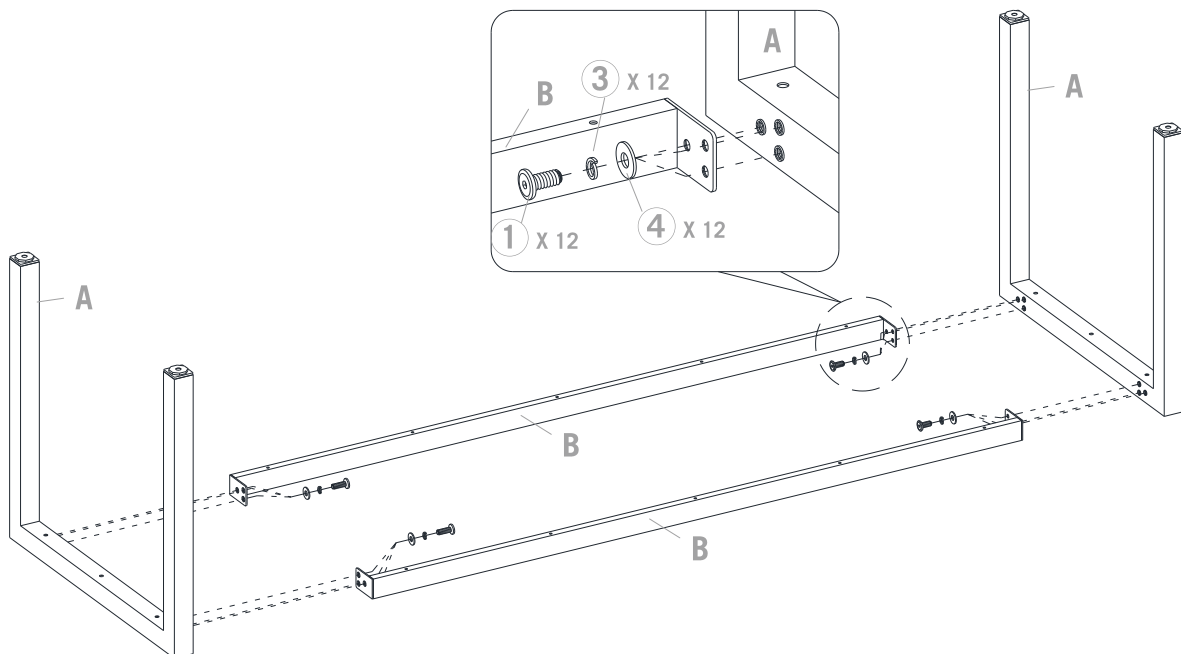


Congratulations on the purchase of your new *Efficient* desk!

ITEM	DESCRIPTION	QTY.
<b>A</b> 	Leg frame	2
<b>B</b> 	Stretcher	2
<b>D</b> 	Desk top	1
<b>E</b> 	Glass panel	1

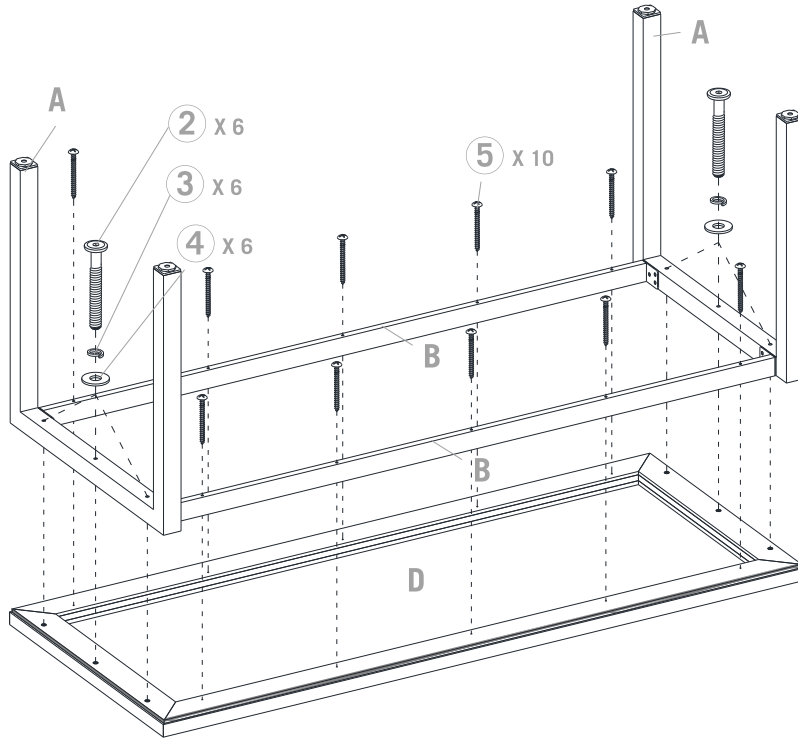
ITEM	DESCRIPTION	QTY.
<b>1</b> 	M6 x 15 mm Bolt	12
<b>2</b> 	M6 x 65 mm Bolt	6
<b>3</b> 	Lock washer	18
<b>4</b> 	Flat washer	18
<b>5</b> 	M5 x 65 mm Screw	10
	4 mm Allen wrench	1
	Touch-up pen	1

**STEP 1** Attach two stretchers (B) between two leg frames (A) by using twelve M6 x 15 mm bolts (1) with lock washers (3) and flat washers (4). As shown below.



**Congratulations on the purchase of your new *Efficient* desk!**

**STEP 2** Attach leg frames (A) to the desk top (D) by using six M6 x 65 mm bolts (2) with six lock washers (3) and flat washers (4). Fasten the stretchers (B) to the desk top (D) with ten M5 x 65 mm screws (5).



**STEP 3** Lift the desk upright and place the glass panel (E) onto the desk top (D).

