

Congratulations on the purchase of your new *Efficient* table!

PARTS:

REMOVE ALL THE PARTS FROM THE CARTON AND VERIFY PART QUANTITIES AS INDICATED IN THIS PARTS LIST.

PLEASE READ ALL INSTRUCTIONS BEFORE ASSEMBLY.

YOU WILL NEED A PHILLIPS-HEAD SCREWDRIVER.

A



TABLETOP - QTY: 1

B



LEG WITH ADJUSTABLE FOOT PAD - QTY: 4

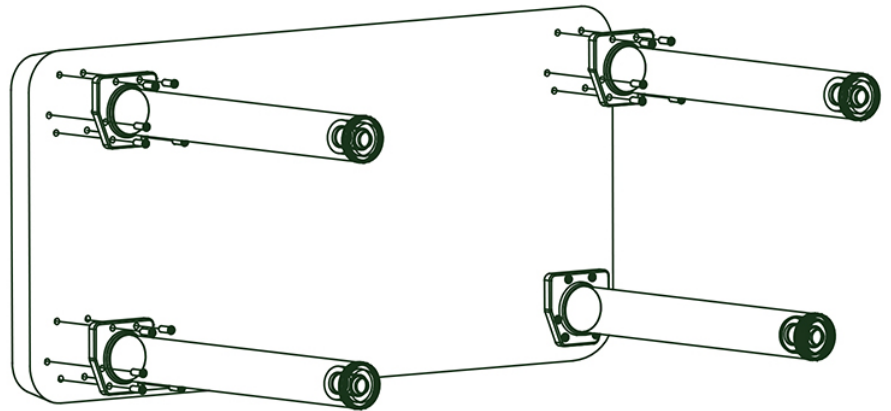
C



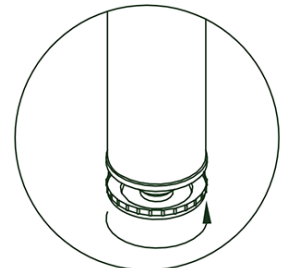
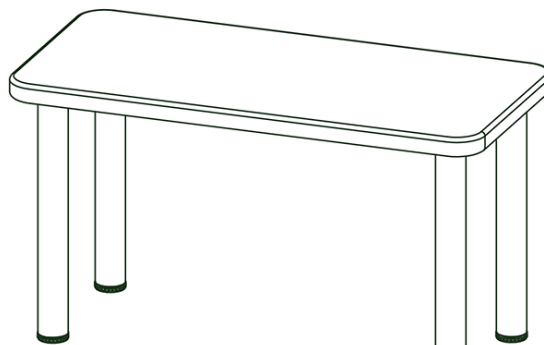
1/4"x 5/8" BOLT - QTY: 24

INSTRUCTIONS

STEP ONE Using the **SCREWS C** provided, attach the **LEGS B** to the **TABLETOP A** as shown below.



STEP TWO Carefully turn the table upright. You may need two people.



Turn the **ADJUSTABLE GLIDES** to level the table on uneven surfaces.