

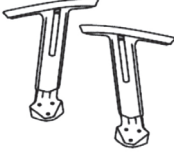
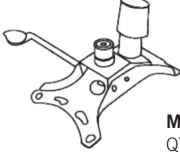
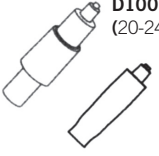








Congratulations on the purchase of your new **OFFICIENT** chair!

**PARTS** (REMOVE ALL THE PARTS FROM THE CARTON AND VERIFY THE PARTS AND QUANTITIES AS INDICATED BELOW.)

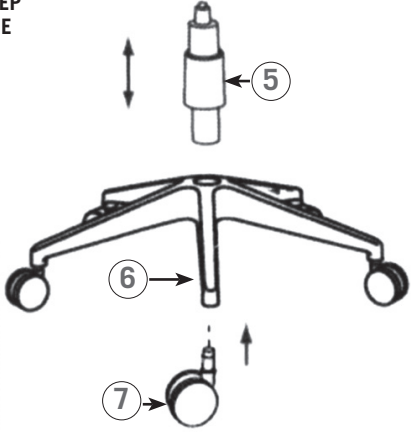
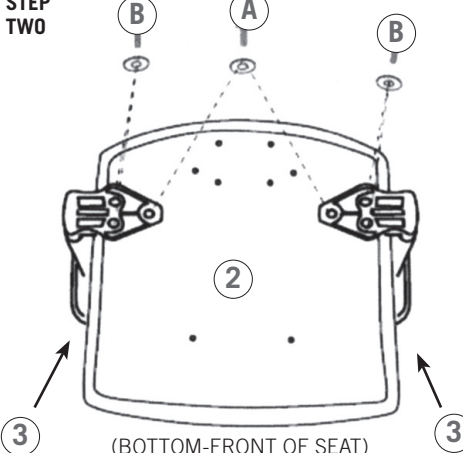
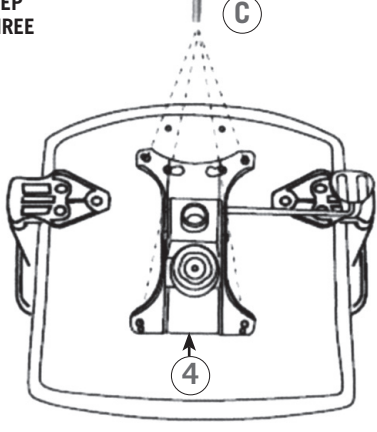
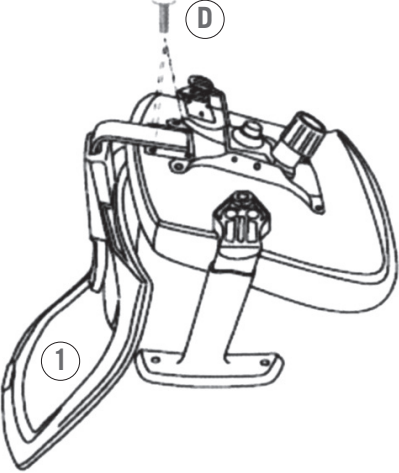
 <p><b>1</b> MESH BACK QTY: 1</p>	 <p><b>2</b> SEAT CUSHION QTY: 1</p>	 <p><b>3</b> ARMS QTY: 2</p>	 <p><b>4</b> MECHANISM QTY: 1</p>	 <p><b>5</b> D100 (20-24" SEAT HEIGHT) D60 (18-21" SEAT HEIGHT) GAS LIFTS (CHOOSE ONE)</p>
 <p><b>6</b> BASE QTY: 1</p>	 <p><b>7</b> CASTER QTY: 5</p>	<p><b>A</b>  ARM SCREWS M6*25 - QTY: 2</p> <p><b>B</b>  ARM SCREWS M6*40 - QTY: 4</p>	<p><b>C</b>  MECHANISM SCREWS M8*22 - QTY: 4</p> <p><b>D</b>  BACK BAR SCREWS M6*25 - QTY: 4</p>	<p><b>ATTENTION:</b> Insert and loosely tighten all screws. When assembly is completed, fully tighten all screws before using. These screws may need to be periodically re-tightened.</p>

**INSTRUCTIONS**

- STEP ONE** Insert the **D100** (20-24" seat height) or **D60** (18-21" seat height) **5** cylinder into the **base 6**. Insert the 5 **casters 7** into the **base 6**.
- STEP TWO** Attach the **arms 3** to the **seat cushion 2** using the **arms screws A** and **B**.
- STEP THREE** Attach the **mechanism 4** to the **seat cushion 2** using the **mechanism screws C**.
- STEP FOUR** Attach the **back 1** to the **seat cushion 2** using the **back bar screws D**.
- STEP FIVE** Place the whole back and cushion set on top of the gas lift and base.



This chair is only intended for sitting. Any other use will void the warranty.  
**WEIGHT CAPACITY:  
250 LBS.**

<p><b>STEP ONE</b></p> 	<p><b>STEP TWO</b></p>  <p>(BOTTOM-FRONT OF SEAT)</p>	<p><b>STEP THREE</b></p>  <p>(BOTTOM-FRONT OF SEAT)</p>
<p><b>STEP FOUR</b></p> 	<p><b>STEP FIVE</b></p> 