
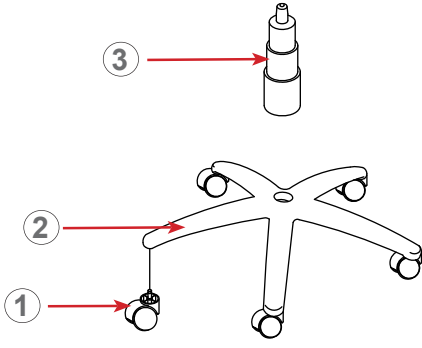
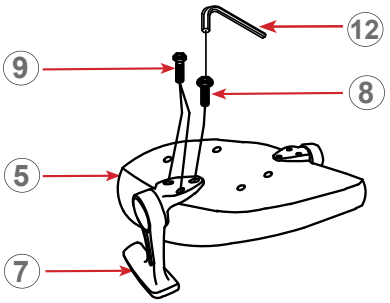

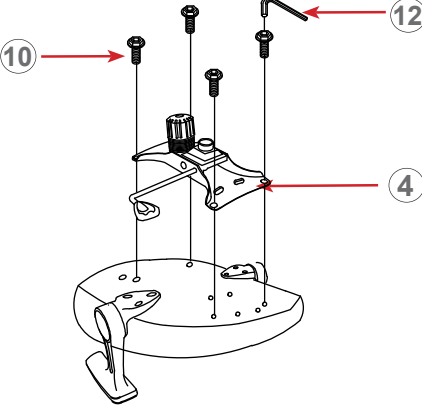
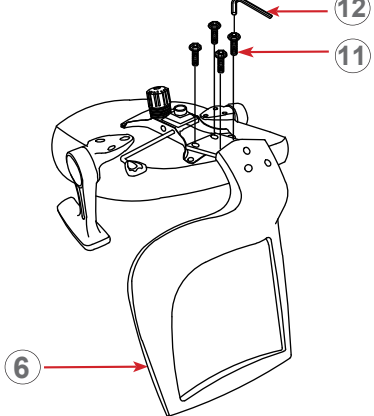
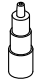
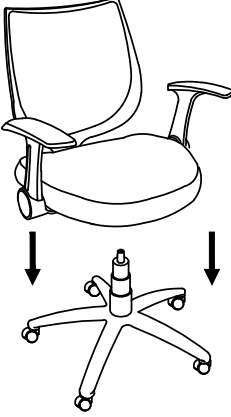

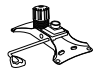








# MESH BACK TASK CHAIR ASSEMBLY INSTRUCTIONS

**PARTS** – remove all the parts from the carton and verify part quantities as indicated on this parts list.

<p>①</p>  <p><b>CASTOR – QTY: 5</b></p>	<p><b>STEP 1</b></p> 	<p><b>STEP 2</b></p>  <p><b>Note:</b> ⑧ SCREW USE ONE PER ARM ⑨ SCREW USE TWO PER ARM</p>						
<p>②</p>  <p><b>5-STAR BASE – QTY: 1</b></p>			<p><b>STEP 3</b></p> 	<p><b>STEP 4</b></p> 				
<p>③</p>  <p><b>GAS LIFT – QTY: 1</b></p>	<p><b>STEP 5</b></p> 	<p><b>STEP 6</b></p> 						
<p>④</p>  <p><b>MECHANISM – QTY: 1</b></p>			<p>⑤</p>  <p><b>SEAT CUSHION – QTY: 1</b></p>	<p>⑥</p>  <p><b>BACK CUSHION – QTY: 1</b></p>	<p>⑦</p>  <p><b>ARMS – QTY: 2</b></p>	<p>⑧</p>  <p><b>1/4x1-1/4" SCREW – QTY: 2</b></p>	<p>⑨</p>  <p><b>1-1/2" SCREW – QTY: 4</b></p>	<p>⑩</p>  <p><b>7/8" SCREW – QTY: 4</b></p>

**IMPORTANT:** This chair is to be used by one person at a time. Be sure all screws are securely tightened. Save the wrench and periodically tighten the screws. Do not lean the chair back on 2 wheels or use the chair as a stepladder. Use this chair for its intended purpose only.