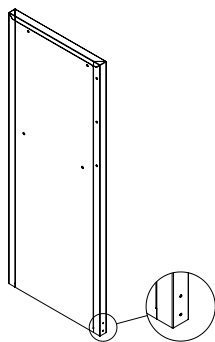


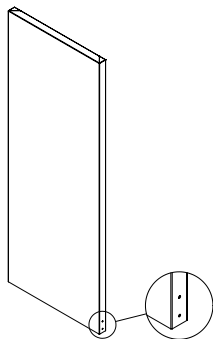
Congratulations on the purchase of your new *Signature Series* product!

COMPONENTS

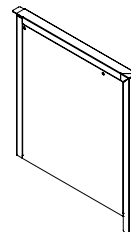
A. Hutch Side Panel-L\*1pc



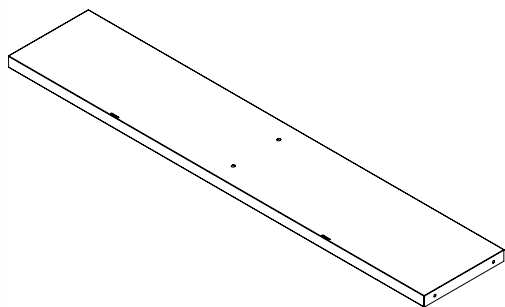
B. Hutch Side Panel-R\*1pc



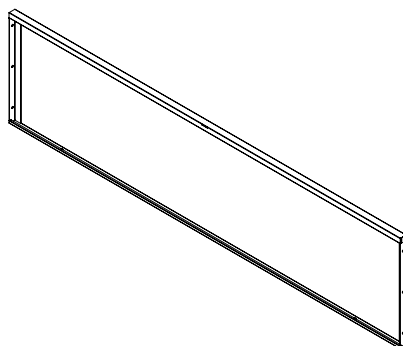
C. Hutch Divider\*1pc



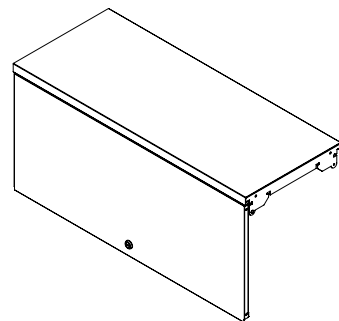
D. Hutch Shelf \*1pc



E. Hutch Back Panel \*1pc



F. Flip Door\*2pcs



HARDWARE

(1).Self-tapping  
Screw 4\*10mm-14pcs



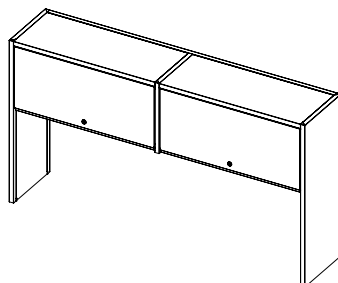
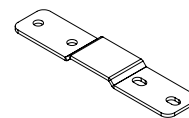
(2).Screw  
M6\*12mm-6pcs



(3).Screw  
M5\*10mm-8pcs



(4).Bracket-2pcs

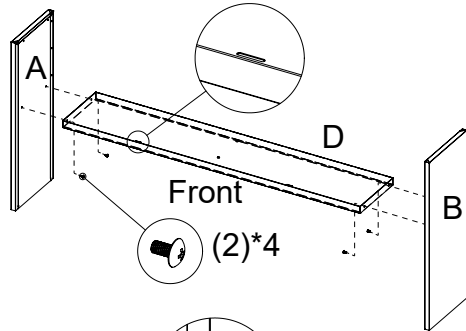


HUTCH

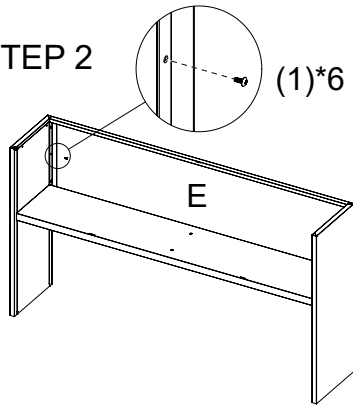
Congratulations on the purchase of your new *Signature Series* product!

INSTRUCTIONS FOR 66" TWO DOOR HUTCH

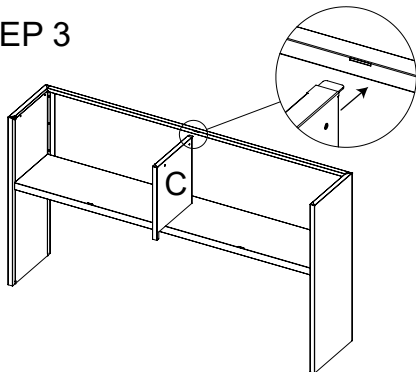
STEP 1



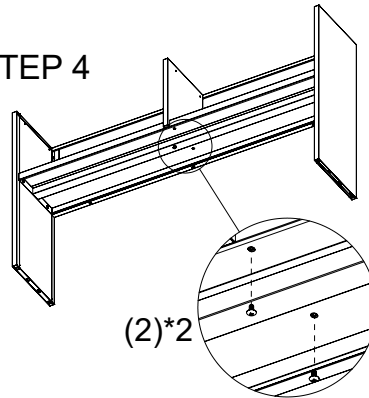
STEP 2



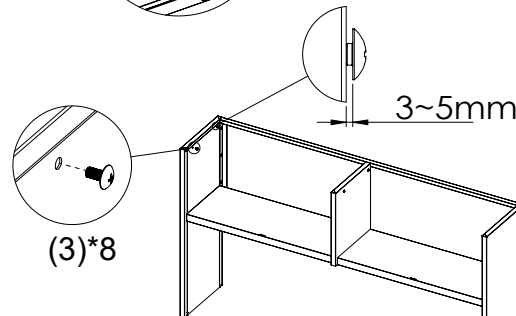
STEP 3



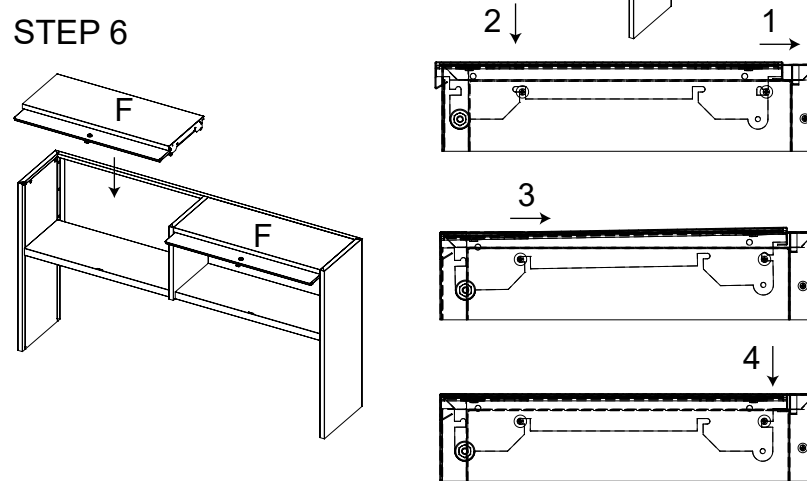
STEP 4



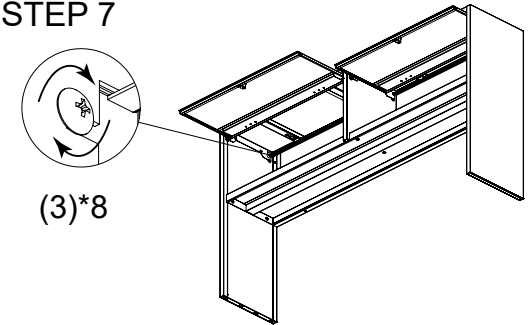
STEP 5



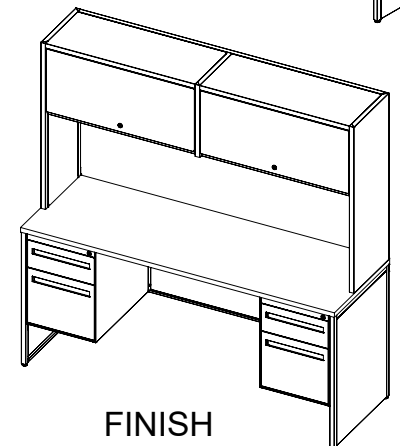
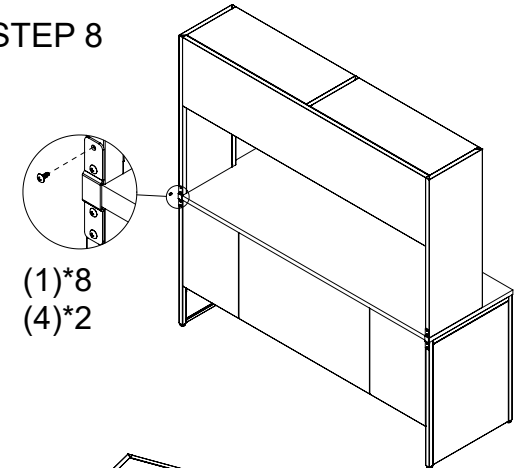
STEP 6



STEP 7



STEP 8



FINISH