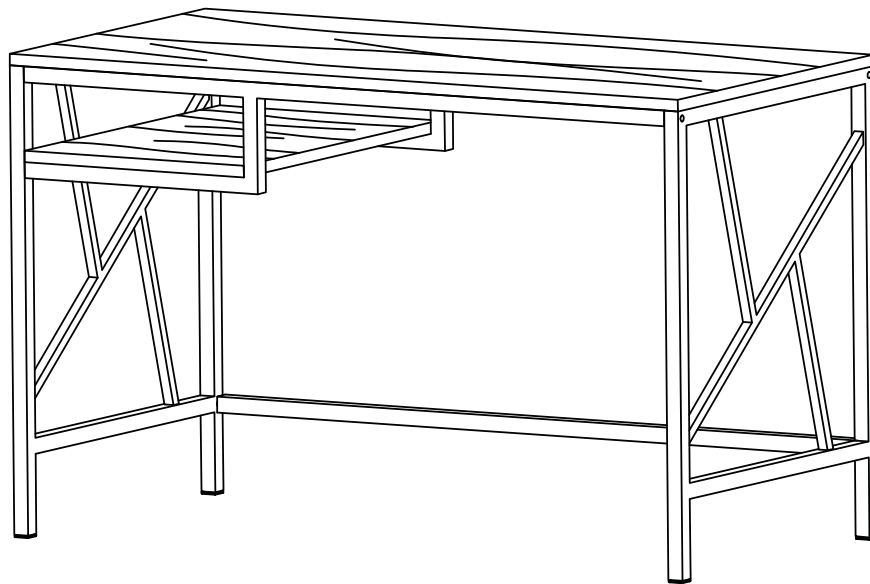



Assembly Instructions

CM-DK6272



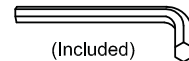
ASSEMBLY RATING

The Assembly Rating is a 5-point system that shows the degree of effort needed in assembling a specific product (with 1 being easy and 5 being difficult). For some products, two persons are recommended.

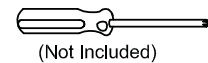
EASY  DIFFICULT

Tools Required For Assembly:

Allen Wrench



Phillips Screwdriver

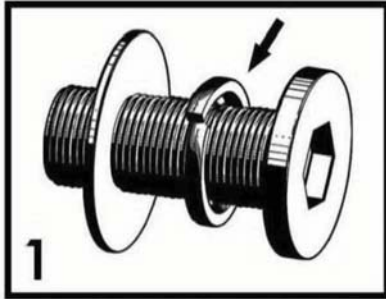


2 PERSONS RECOMMENDED

ASSEMBLY & CARE ADVICE

FOR YOUR FURNITURE TO LAST, CORRECT ASSEMBLY AND PROPER MAINTENANCE ARE NECESSARY. PLEASE FOLLOW THE INFORMATION PROVIDED BELOW TO FULLY ENJOY YOUR FURNITURE.

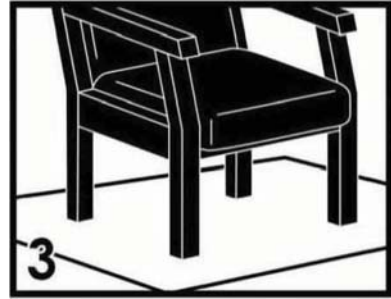
BASIC ASSEMBLY TECHNIQUES



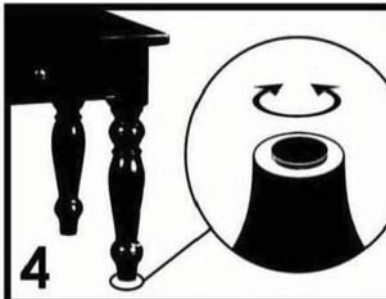
1 When lock or spring washer is used in an assembly, please make sure the lock or spring washer is placed between the larger flat washer and the head of the screw or bolt.



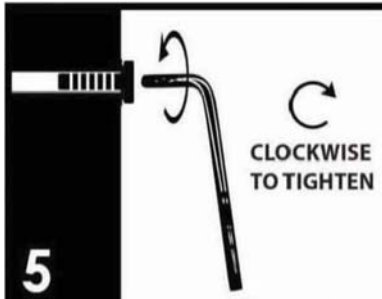
2 Position each part correctly and insert screws or bolts into their respective holes by hand tighten or using the proper hand tool. Only tighten when step is completed or when instructed to do so.



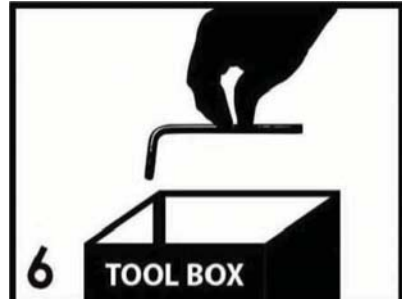
3 Use cardboard or carpet area when assembling furniture to prevent scratches. Make sure the furniture rests on a flat and level surface with each leg evenly touching the floor.



4 Some furniture comes with height adjustment knobs underneath each leg. To lower or to raise each leg, you need to turn clockwise or counterclockwise, respectively.

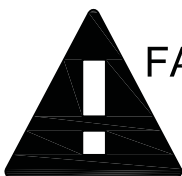


5 Make sure all parts are properly aligned, then use the appropriate hand tool to completely tighten the bolts or screws. Do not use power tools and do not overtighten.



6 Save the instructions and store the Allen wrench or any supplied tool for later maintenance. After two weeks, check and tighten any loose hardware and repeat again every six months thereafter.

IT IS THE USER'S RESPONSIBILITY TO MAINTAIN THE FURNITURE. THE HARDWARE MAY LOOSEN OVER TIME AND MAY CAUSE THE FURNITURE TO BE WOBBLY AND UNABLE TO SUPPORT ITS INTENDED WEIGHT CAPACITY. THIS MAY LEAD TO COLLAPSE AND MAY CAUSE SERIOUS INJURY.



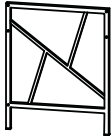
FAILURE TO FOLLOW THE GUIDELINES ABOVE MAY RESULT IN INJURY AND/OR PROPERTY DAMAGE.



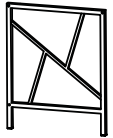
Before you begin, please read Page 2 of "Assembly and Care Advice".

And remember, do not tighten until each step is completed or instructed.

Parts List



#1 x 1pc
Left Side Panel



#2 x 1pc
Right Side Panel



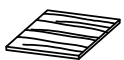
#3 x 2pcs
Stretcher



#4 x 1pc
Bottom Stretcher

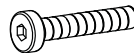


#5 x 1pc
Wood Top

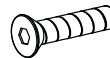


#6 x 1pc
Wood Shelf

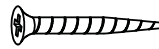
Hardware List



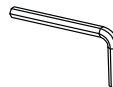
#A x 8pcs
Bolt 1/4"X1-1/2"



#B x 8pcs
Bolt 1/4" X 1-1/4"



#C x 4pcs
Screw



#D x 1pc
Allen Wrench M4

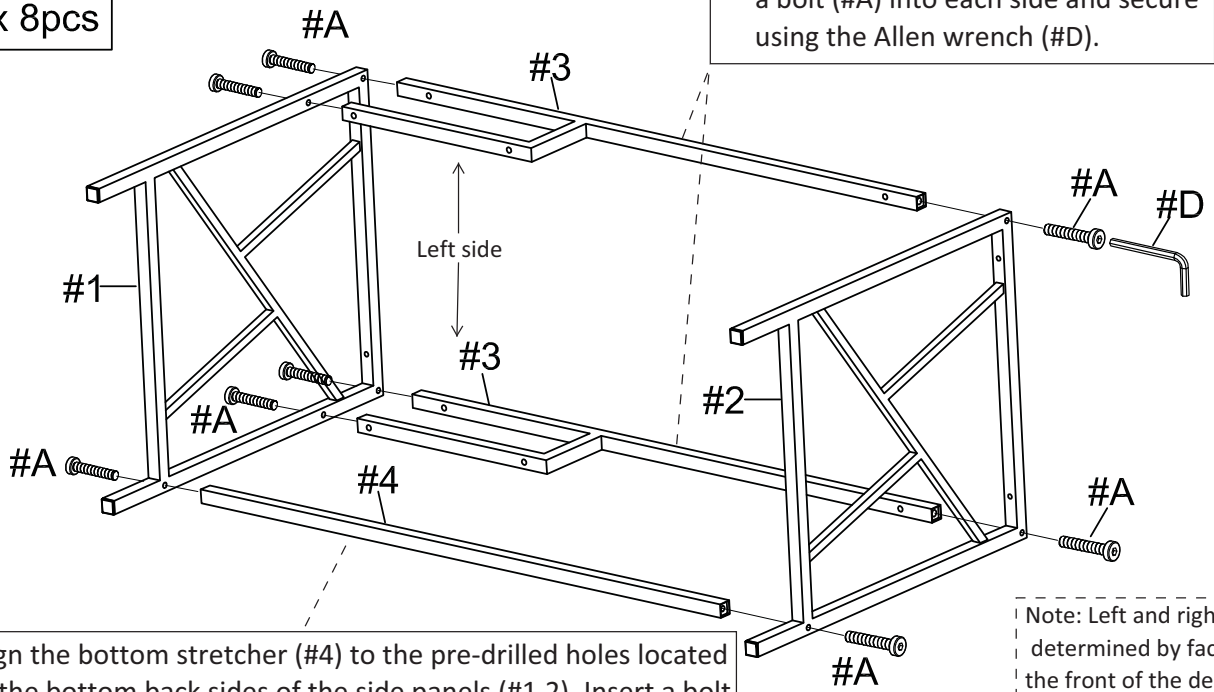


#1

1. Place the left and right side panels (#1,2) onto their sides.

3. Align the stretchers (#3) to the pre-drilled holes located along the top sides of the side panels (#1,2). Insert a bolt (#A) into each side and secure using the Allen wrench (#D).

#A x 8pcs



2. Align the bottom stretcher (#4) to the pre-drilled holes located on the bottom back sides of the side panels (#1,2). Insert a bolt (#A) into each side and secure using the Allen wrench (#D).

Note: Left and right is determined by facing the front of the desk in its upright position.

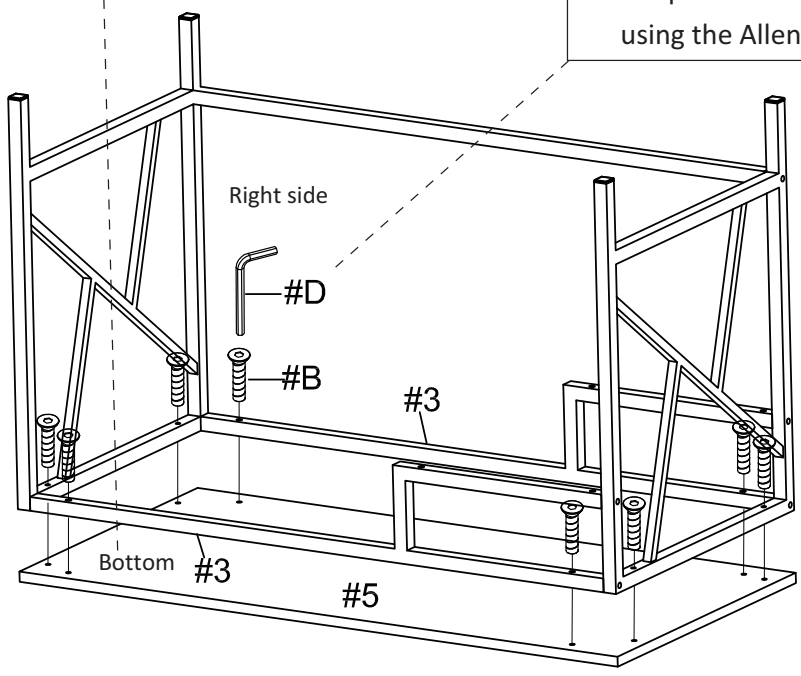


#2

1. Carefully place the wood top (#5) face down onto a protected surface.

2. Carefully apply the desk frame onto the the wood top (#5) and insert a total of 8 bolts (#B) into the pre-drilled holes. Secure using the Allen wrench (#D).

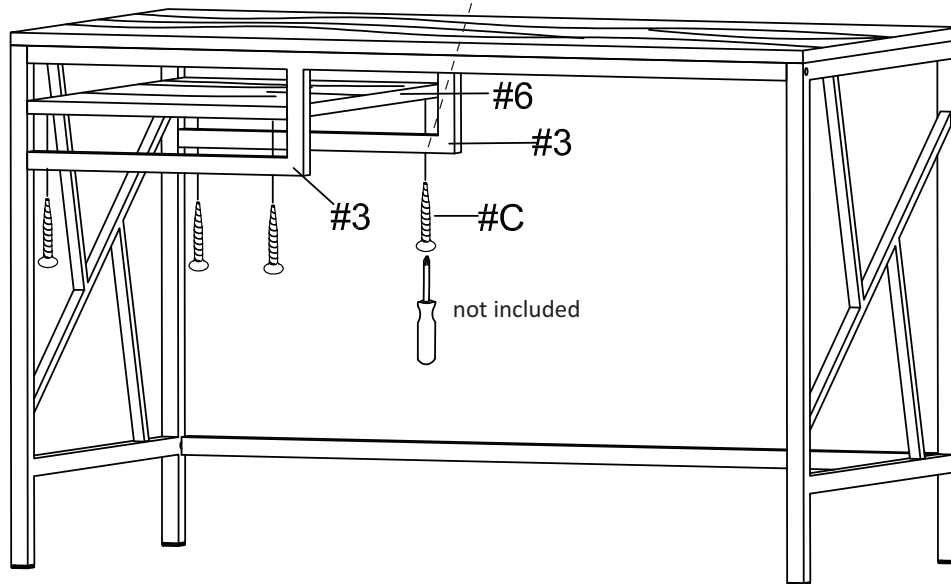
#B x 8pcs





#C x 4pcs

Apply the wood shelf (#6) onto the designated slot and insert a total of 4 screws (#C) into the pre-drilled holes from underneath. Secure using a Phillips screwdriver.



Carefully turn the completed chair upright. Make sure the chair is rested on a flat surface and does not feel loose or wobbly. If it does, double check that the bolts are secured and properly tightened.

ASSEMBLY IS COMPLETED