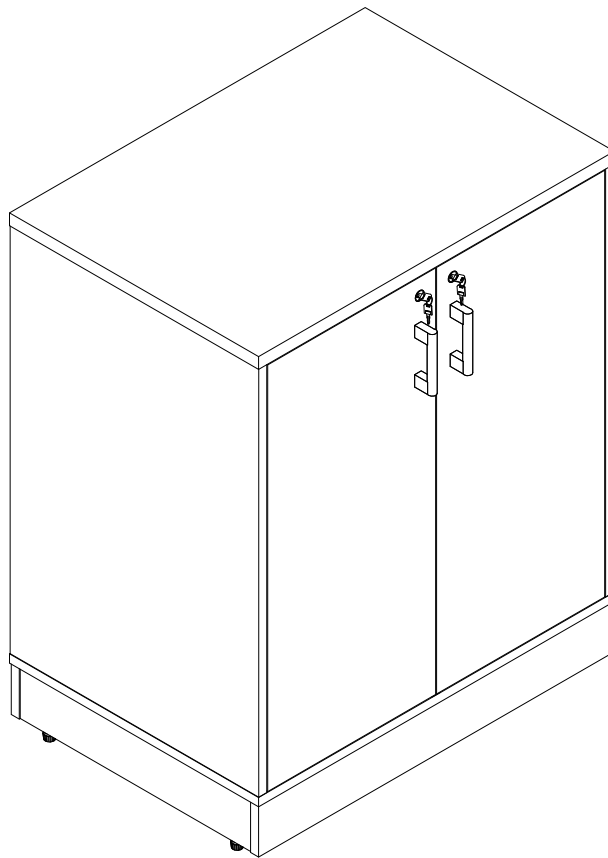

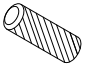
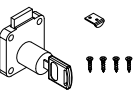



NBF

Wardrobe Cabinet Assembly Instructions

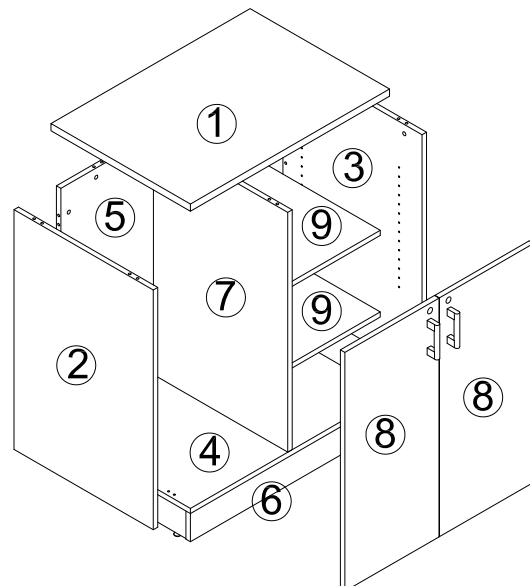


Assembly HARDWARE

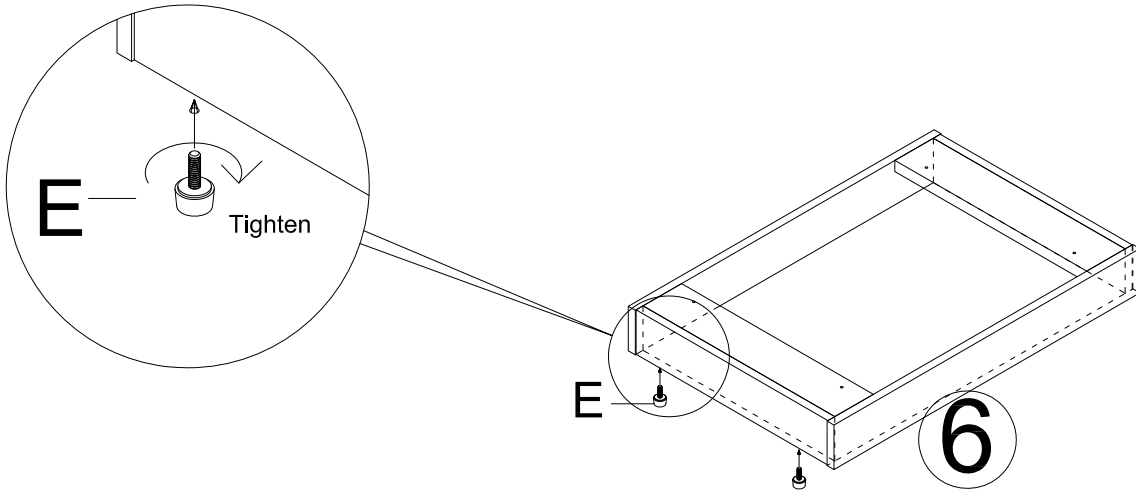
S/N	PICTURE	NAME	TOTAL QTY	REMARK
A		CAM SCREW	21+2(SPARE)	
B		KLIX CAM	21+2(SPARE)	
C		CAM COVER STICKER	21+2(SPARE)	use cam covers to cover any klix cam screws
D		WOOD DOWEL	18+2(SPARE)	
E		LEVELER	4+1(SPARE)	
F		SHELF PEG	8+1(SPARE)	
G		HINGE	4PCS	
H		LOCK	2PCS	
I		Connector for rail	2PCS	
J		HANGING RAIL	1PCS	
K		Handle With Screws	2PCS	
L		Ø4*35Screw	4PCS	

PARTS LIST

- ① TOP PANEL
- ② LEFT SIDE PANEL
- ③ RIGHT SIDE PANEL
- ④ BOTTOM PANEL
- ⑤ BACK PANEL
- ⑥ BASE SUPPORT
- ⑦ CENTER PANEL
- ⑧ DOOR (2)
- ⑨ SHELF(2)



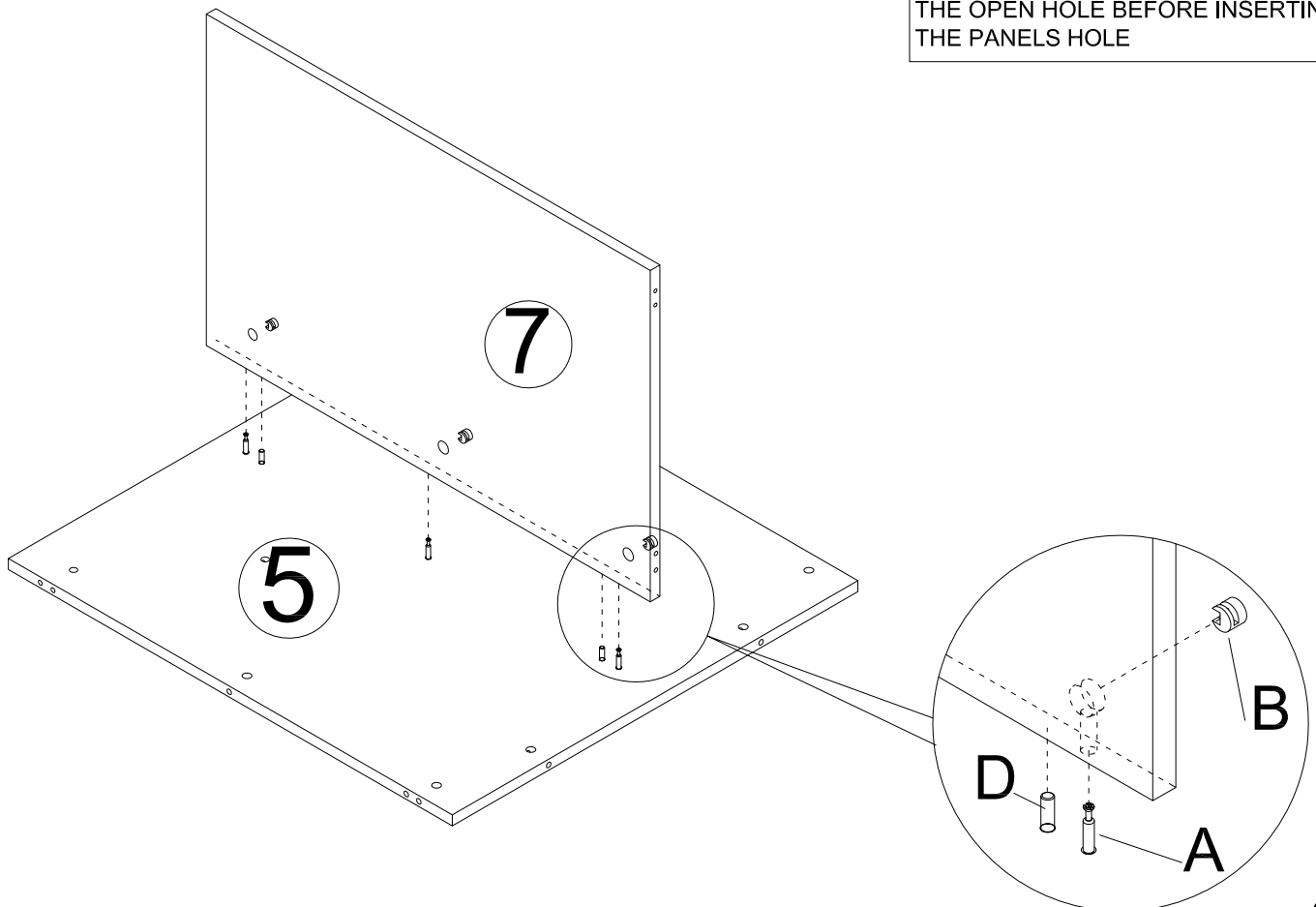
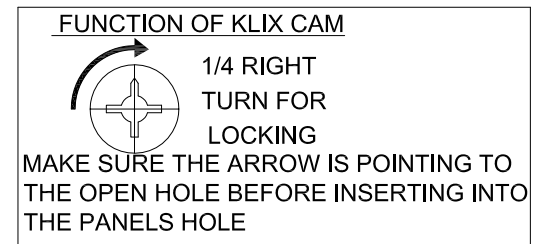
1. INSTALL THE "E" LEVELERS ON THE BOTTOM OF BASE SUPPORT ⑥.
E(4x)



2. INSTALL "A" CAM SCREWS AND "D" DOWELS INTO BACK PANEL ⑤. INSERT "B" KLIX CAMS INTO CENTER PANEL ⑦ . CONNECT PANEL ⑤ TO ⑦ . TIGHTEN.

A (3x)
B (3X)
D(2X)

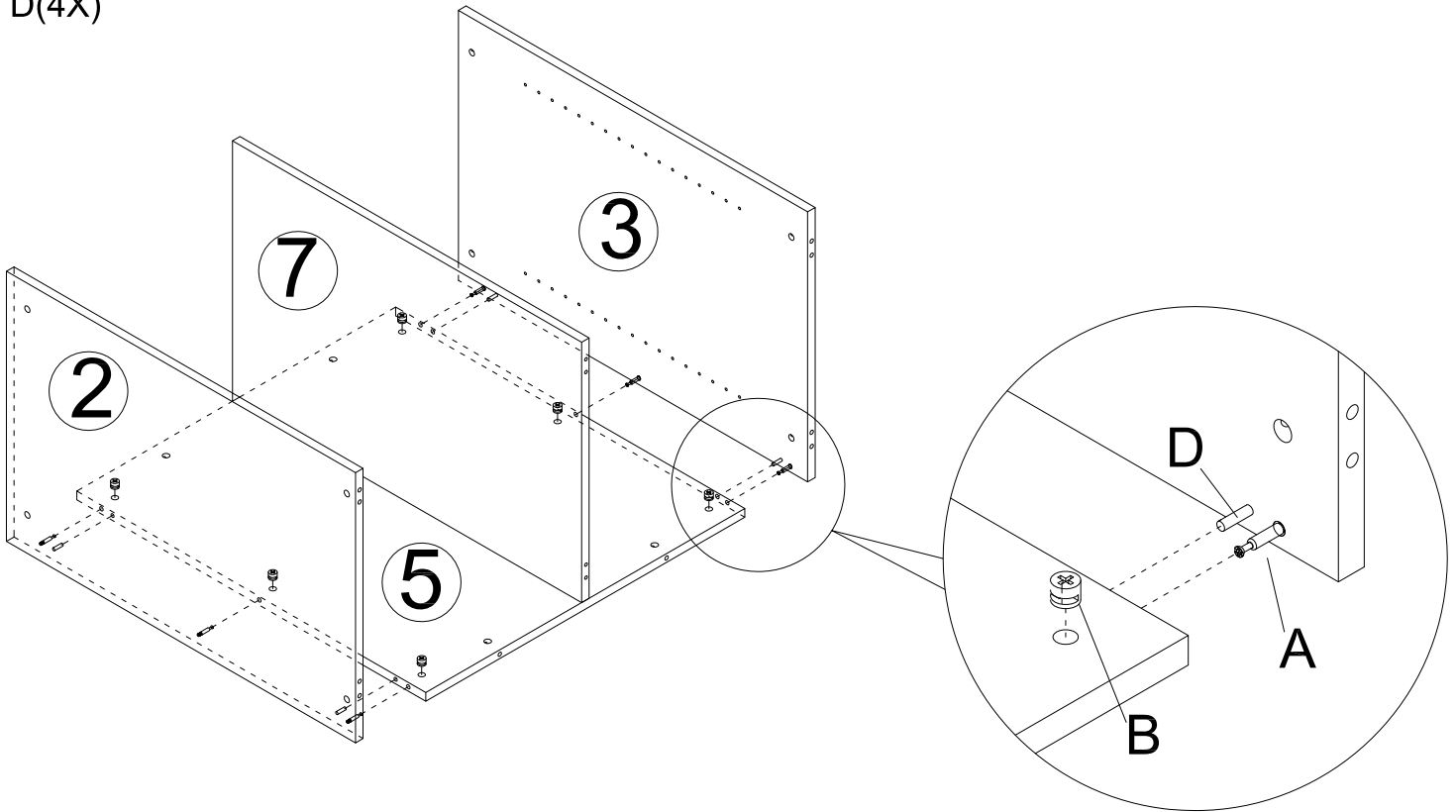
IMPORTANT:



3.

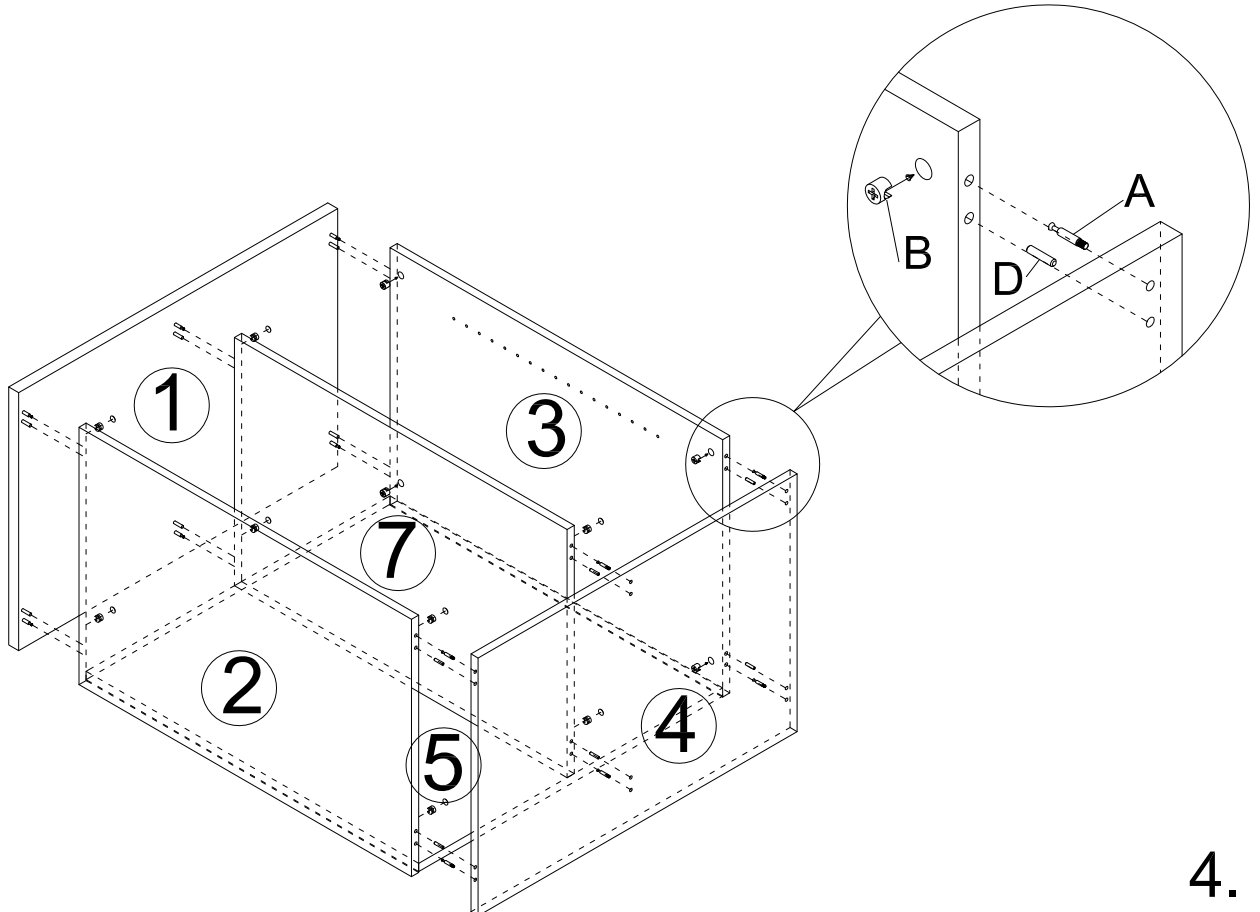
3. INSTALL "A" CAM SCREWS AND "D" DOWELS ON SIDE PANELS ② . INSTALL "B" KLIX CAMS INTO BACK PANEL ⑤ . THEN CONNECT ② TO ⑤ , TIGHTEN. DO THE SAME STEP TO CONNECT ③ TO ⑤ .

A(6X)
B(6X)
D(4X)

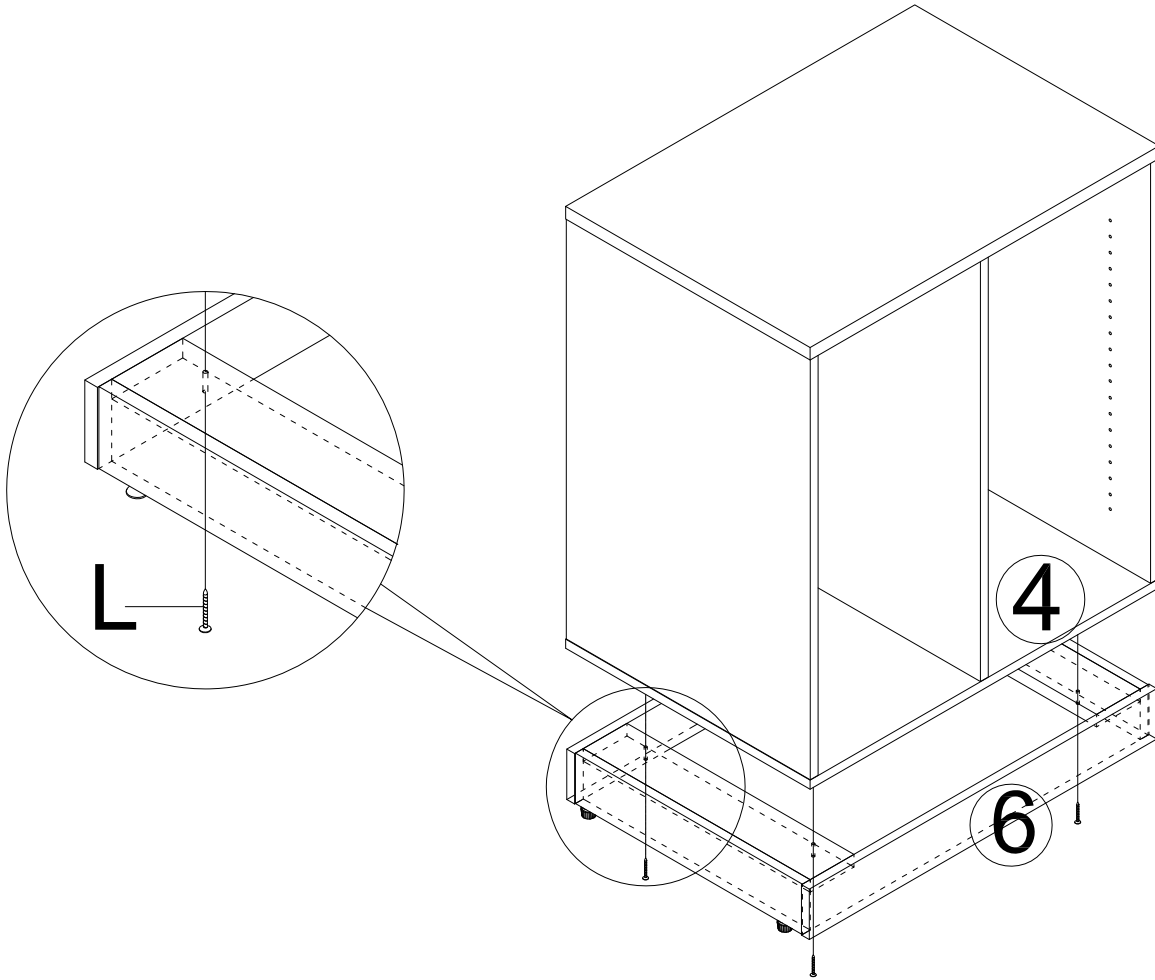


4. INSTALL "A" CAM SCREWS AND "D" DOWELS ON ON BOTTOM PANEL ④ . INSTALL "B" KLIX CAMS ON PANEL ② ③ ⑤ ⑦ . THEN CONNECT ④ TO ② ③ ⑤ ⑦ , TIGHTEN. REPEAT STEP TO CONNECT ① TO ② ③ ⑤ ⑦ .

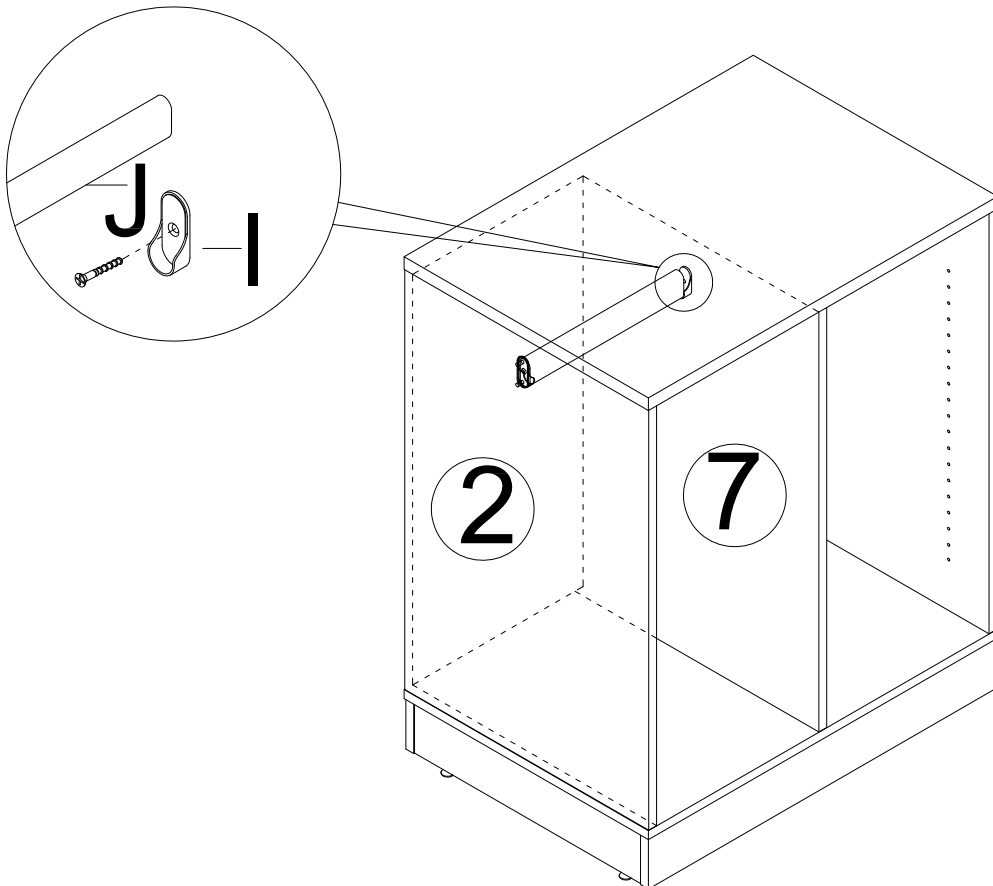
A(12X)
B(12X)
D(12X)



5. CONNECT BASE SUPPORT ⑥ TO BOTTOM PANEL ④ USING "L" SCREWS.
L(4X)

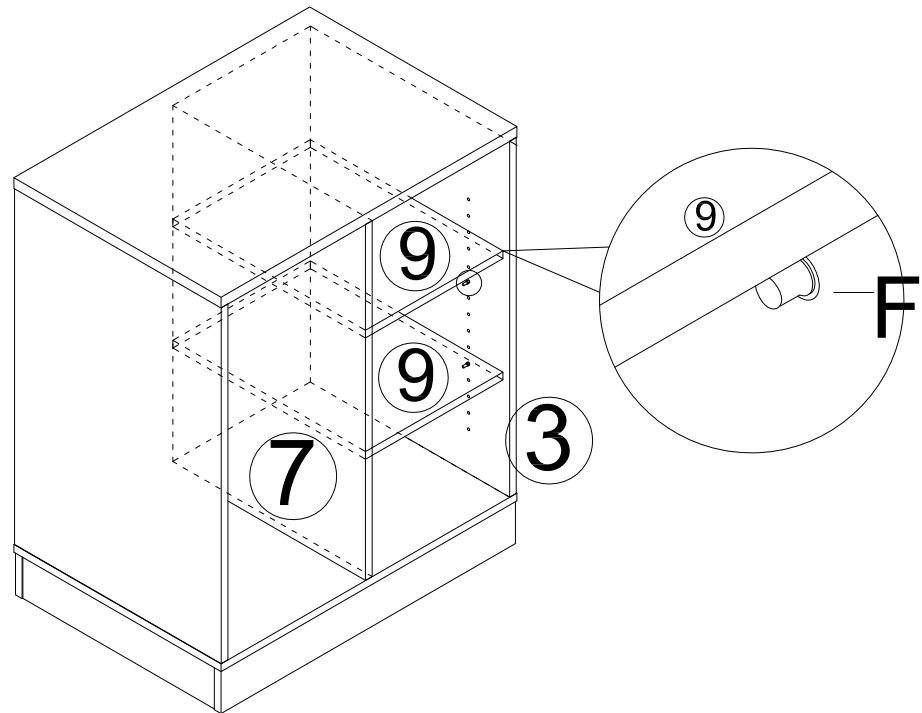


6. INSTALL "J" HANGING RAIL TO PANEL ② & ⑦ USING "I" CONNECTORS.
J(1x)
I(2x)



7. INSTALL "F" SHELF PEGS ON PANELS ③ & ⑦ . THEN PLACE SHELVES ⑨ INSIDE ON "F" SHELF PEGS.

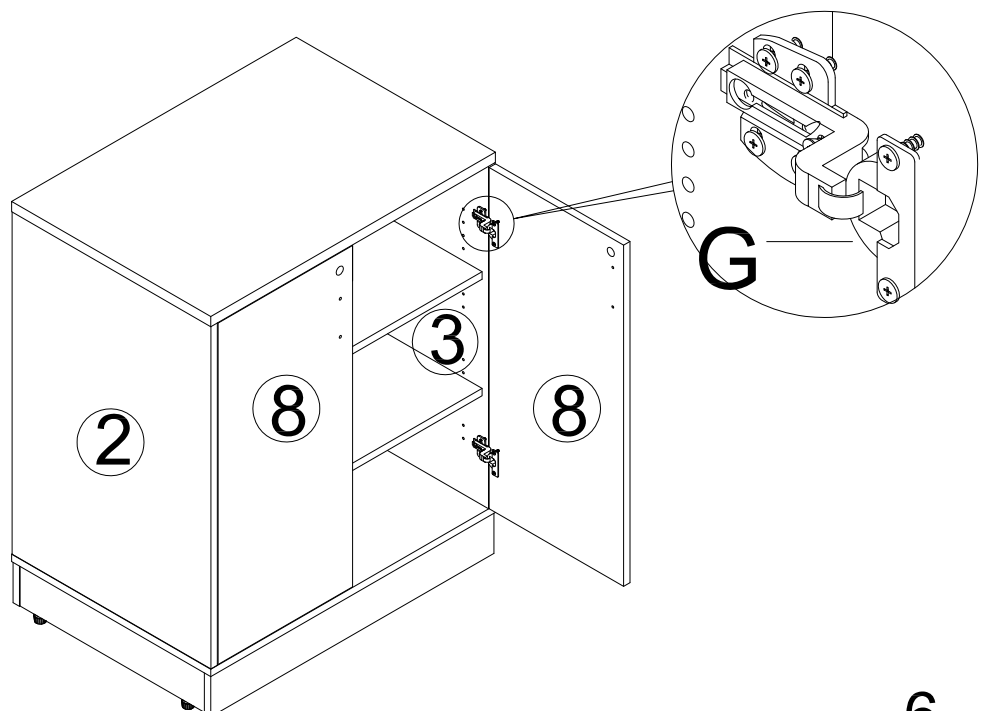
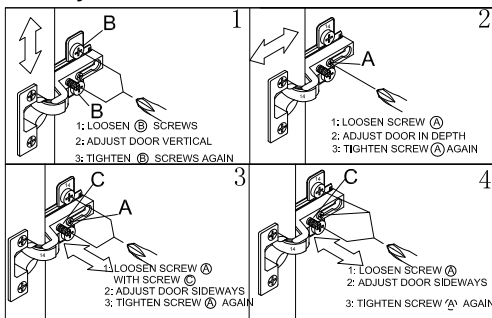
F(8X)



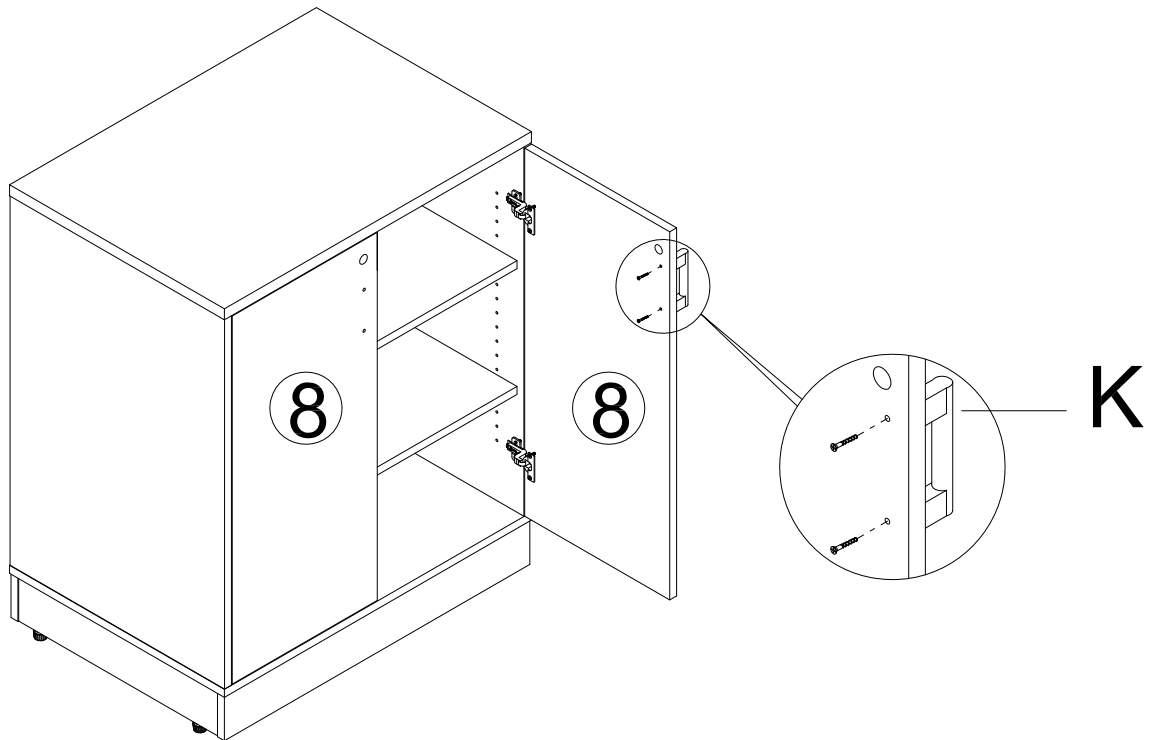
8. INSTALL "G" HINGES ON THE INSIDE OF DOORS ⑧ , 2 PER DOOR, ATTACH DOOR ⑧ TO PANELS ② AND ③, ADJUST AS NEEDED SEE BOX.

G (4x)

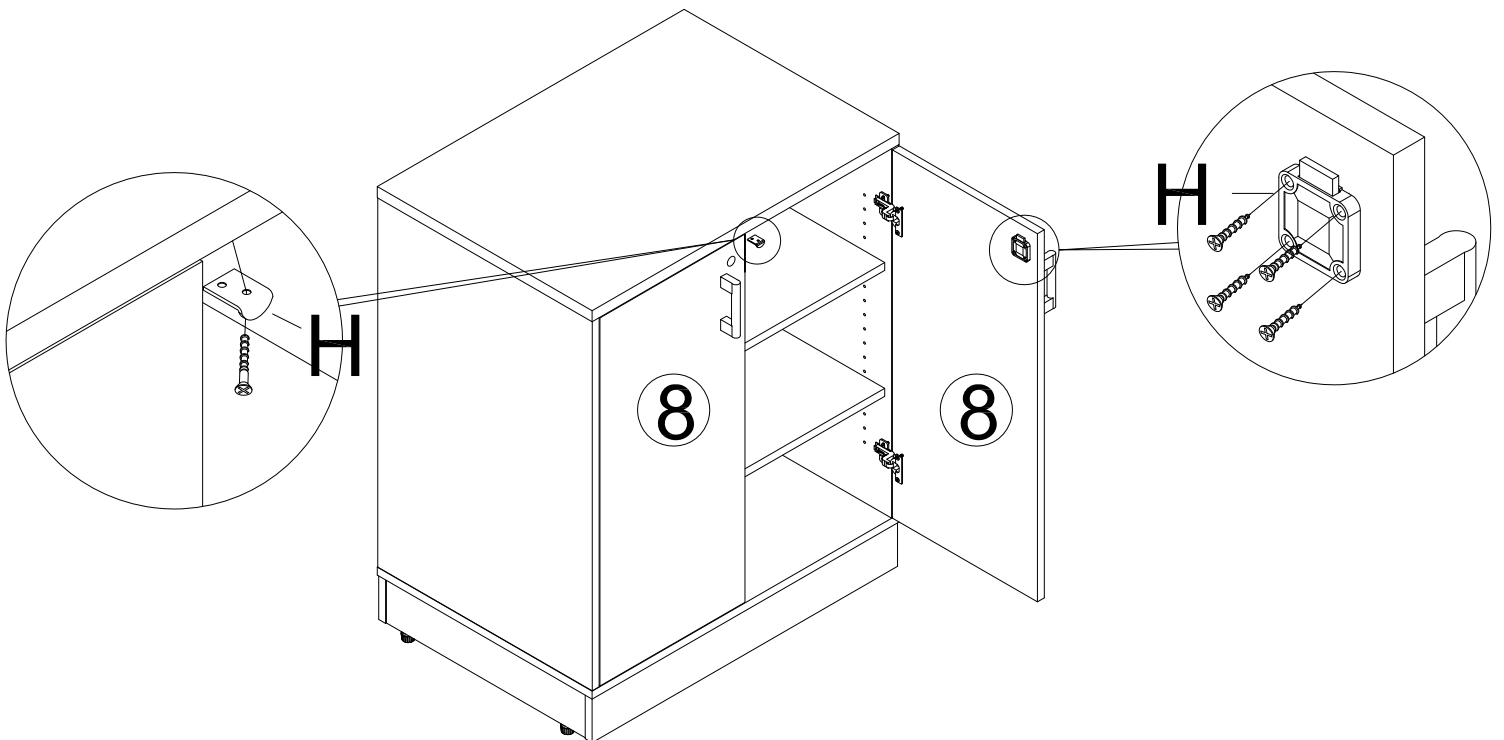
To adjust doors



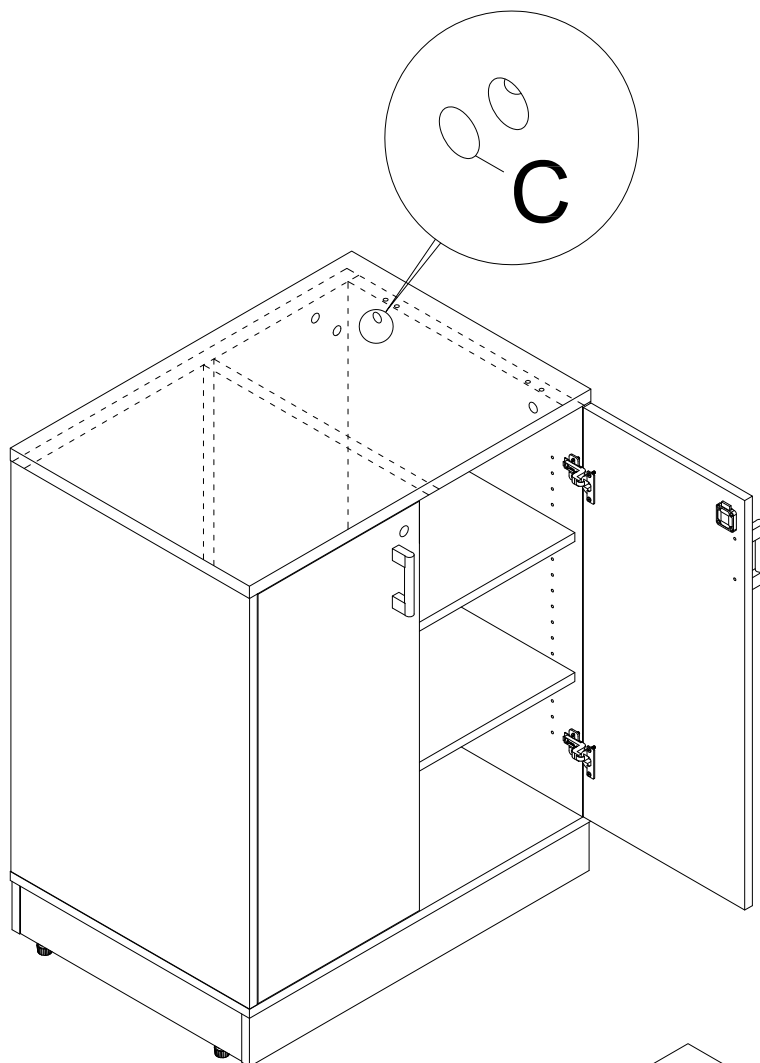
9. INSTALL "K" HANDLES ON OUTSIDE OF DOORS ⑧. ONE PER DOOR.
K (2x)



10. INSTALL LOCKS ON DOOR ⑧ AND UNDERSIDE OF TOP ①. ONE PER DOOR.
H(2x)



11. USE "C" CAM COVERS STICKERS TO COVER ALL EXPOSED KLIX CAMS.
C (21x)



12. COMPLETED

