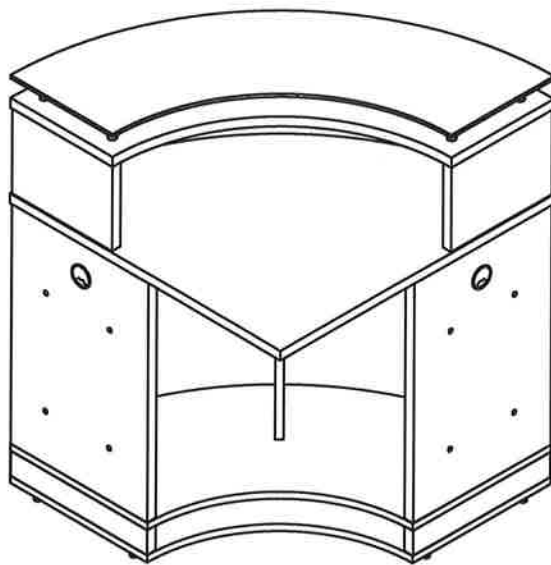




NBF




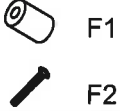





Curved Reception Desk Assembly Instructions



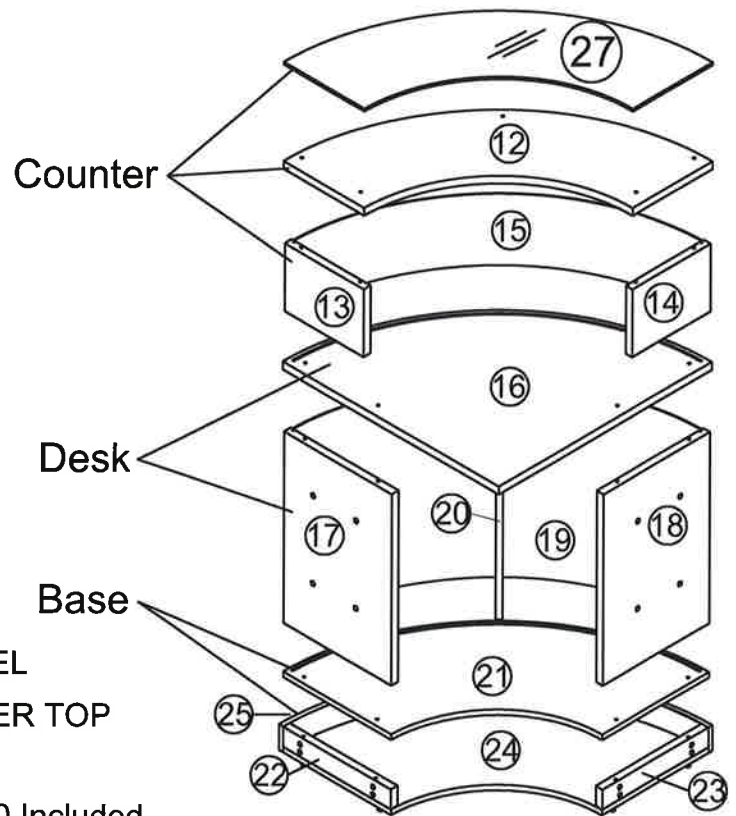
**NBF**

Assembly HARDWARE

S/N	PICTURE	NAME	TOTAL QTY		REMARK
A		CAM SCREW	20PCS		
B		KLIX CAM	20PCS		
C		CAM COVER STICKER	28PCS		use cam covers to cover any klix cam
F	 F1 F2	GLASS SPACERS SCREWS	5PCS		
G		CONNECTOR SCREW	4PCS		Use to connect to another desk
H		GROMMET	2PCS		
I		LEVELER	5PCS		

PART LIST

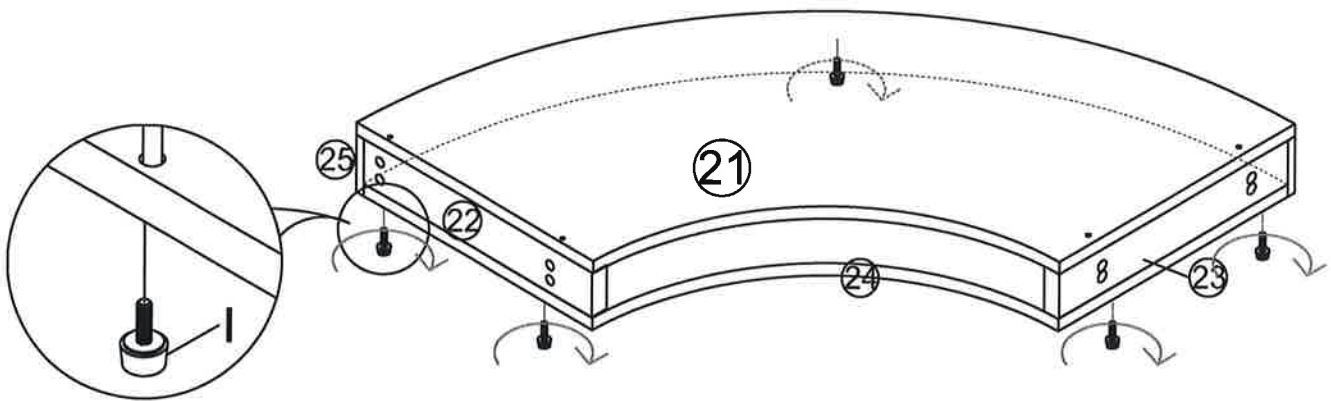
- ⑫ COUNTER TOP
- ⑯ DESK TOP
- ⑬⑭ COUNTER SUPPORTS
- ⑰⑱ DESK SIDES
- ⑳㉑ BASE SUPPORTS
- Double ⑮ COUNTER BACK
- Double ⑲ DESK BACK
- ⑳ BASE BACK
- ㉑ DESK BOTTOM
- ㉒ BASE BOTTOM
- Double ㉓ CENTER SUPPORT PANEL
- ⑳ CURVED GLASS COUNTER TOP



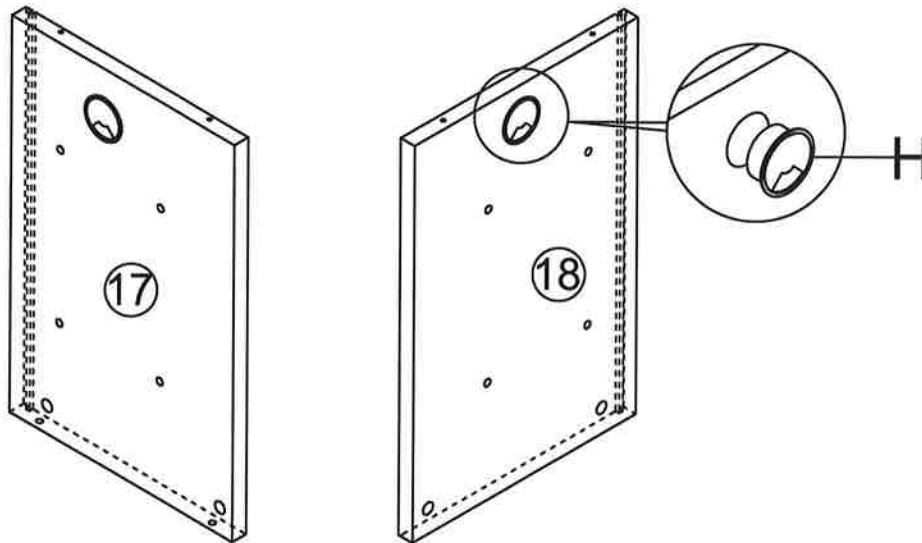
Note: Additional Parts 15, 19, and 20 Included

Bottom Parts 21, 22, 23, 24, and 25 come Pre-Assembled.

1. INSTALL "I" LEVELERS ON THE BOTTOM OF ㉒
I(5x)



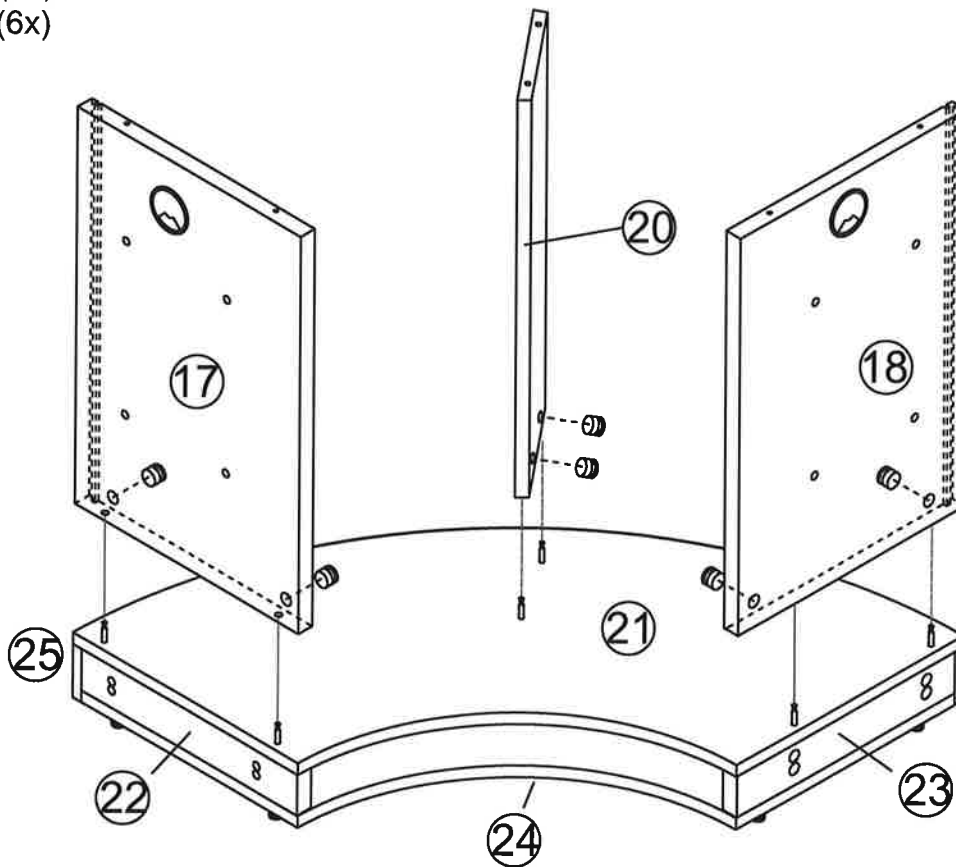
2. INSTALL "H" GROMMETS ON SIDE PANELS 17 & 18.
H(2X)




3. CONNECT 21 DESK BOTTOM TO 17 & 18 DESK SIDES & 19 BACK PANEL & 20 CENTER SUPPORT. INSTALL 19 LAST. SEE TWO STEPS BELOW.

- <1> INSTALL "A" CAM SCREWS IN 21 AND "B" KLIX CAMS IN 17 18 AND 20.
.CONNECT 17 18 AND 20 TO 21, TIGHTEN.

A(6x)
B(6x)



IMPORTANT:
FUNCTION OF KLIX CAX

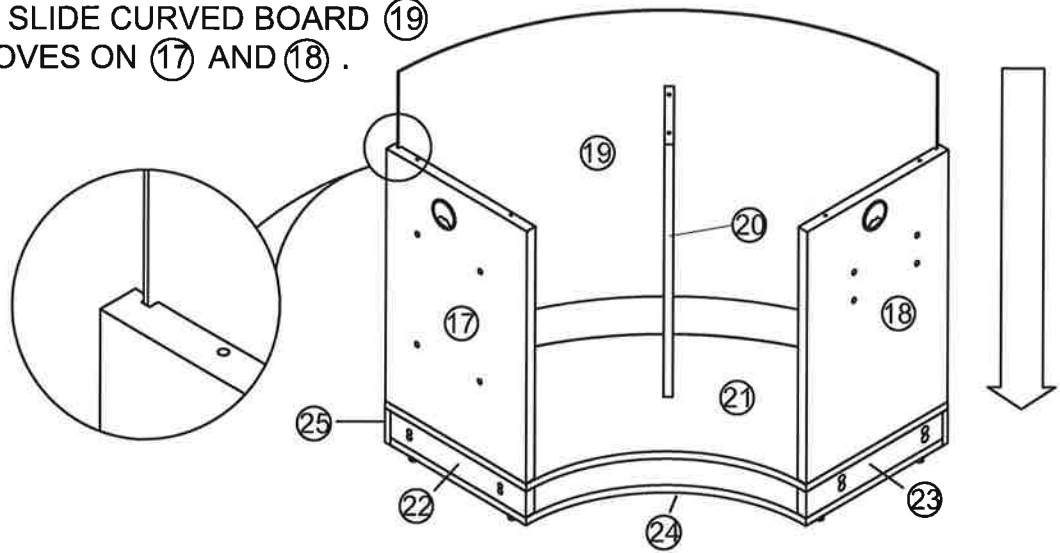


1/4 RIGHT
TURN FOR
LOCKING

MAKE SURE THE ARROW IS
POINTING UPWARDS BEFORE
INSERTING INTO THE PANELS
HOLE

4.

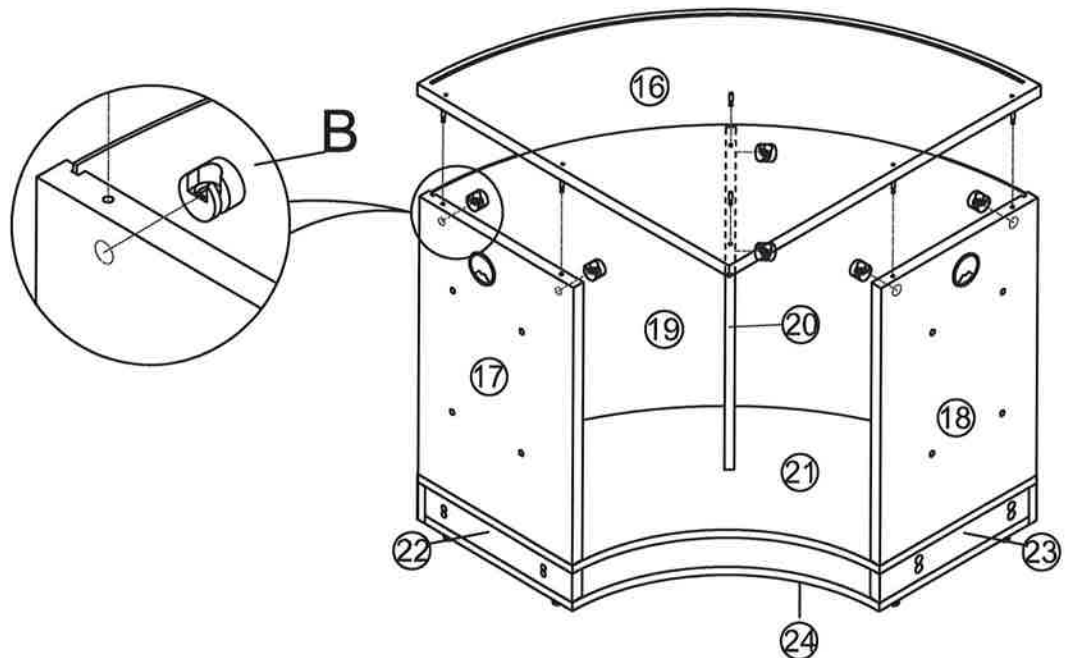
<2> BEND AND SLIDE CURVED BOARD 19 INTO GROOVES ON 17 AND 18 .



4. INSTALL "A" CAM SCREWS ON UNDERSIDE OF TOP 16. INSTALL "B" KLIX CAMS ON PANELS 17, 18 AND 20 . CONNECT 16 TO 17, 18 AND 20 USING INSTALLED CAM SCREWS AND KLIX CAMS. TIGHTEN.

A(6x)

B(6x)

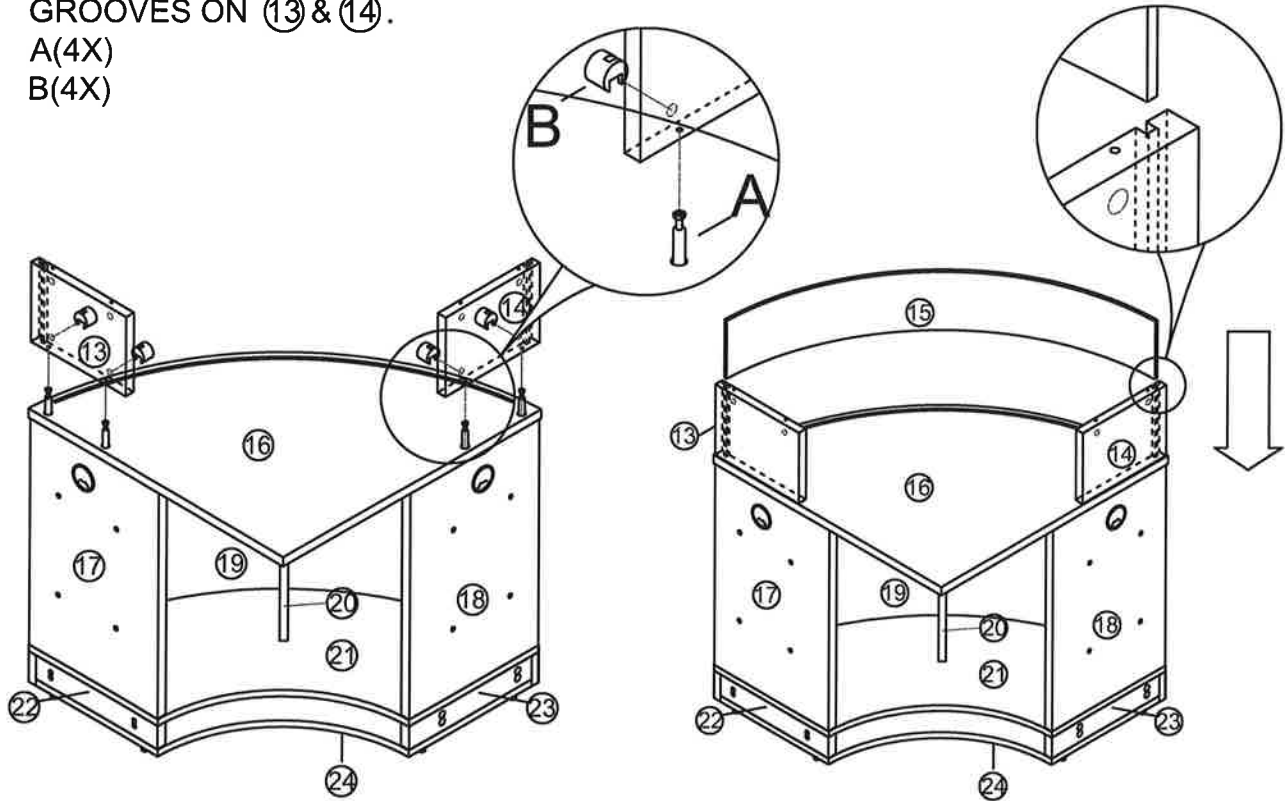


5.

5. INSTALL "A" CAM SCREWS ON PANEL ⑯, INSTALL "B" KLIX CAMS ON SIDE PANELS ⑬ & ⑭. THEN CONNECT PANELS ⑬ & ⑭ TO ⑯ USING ALREADY INSTALLED "A" CAM SCREWS. TIGHTEN. THEN BEND AND SLIDE CURVED BOARD ⑮ INTO GROOVES ON ⑬ & ⑭.

A(4X)

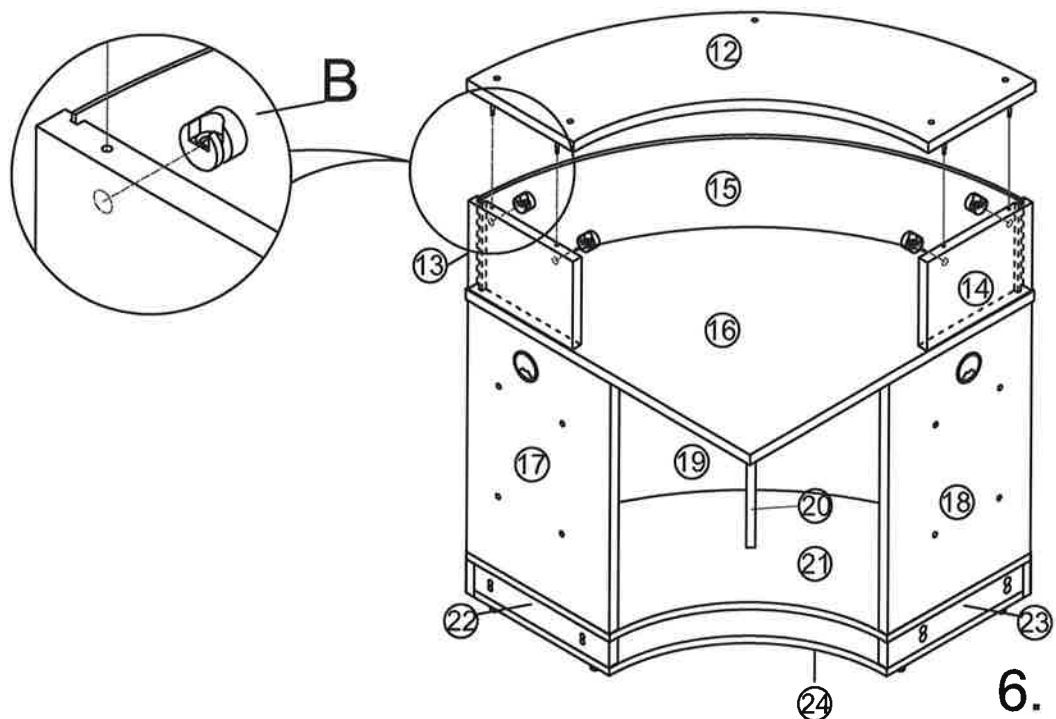
B(4X)



6. INSTALL "A" CAM SCREWS ON THE UNDERSIDE OF COUNTER TOP ⑫. INSTALL "B" KLIX CAMS ON SUPPORTS ⑬ AND ⑭. CONNECT ⑫ TO ⑬ AND ⑭ USING INSTALLED CAM SCREWS AND KLIX CAMS. TIGHTEN.

A(4X)

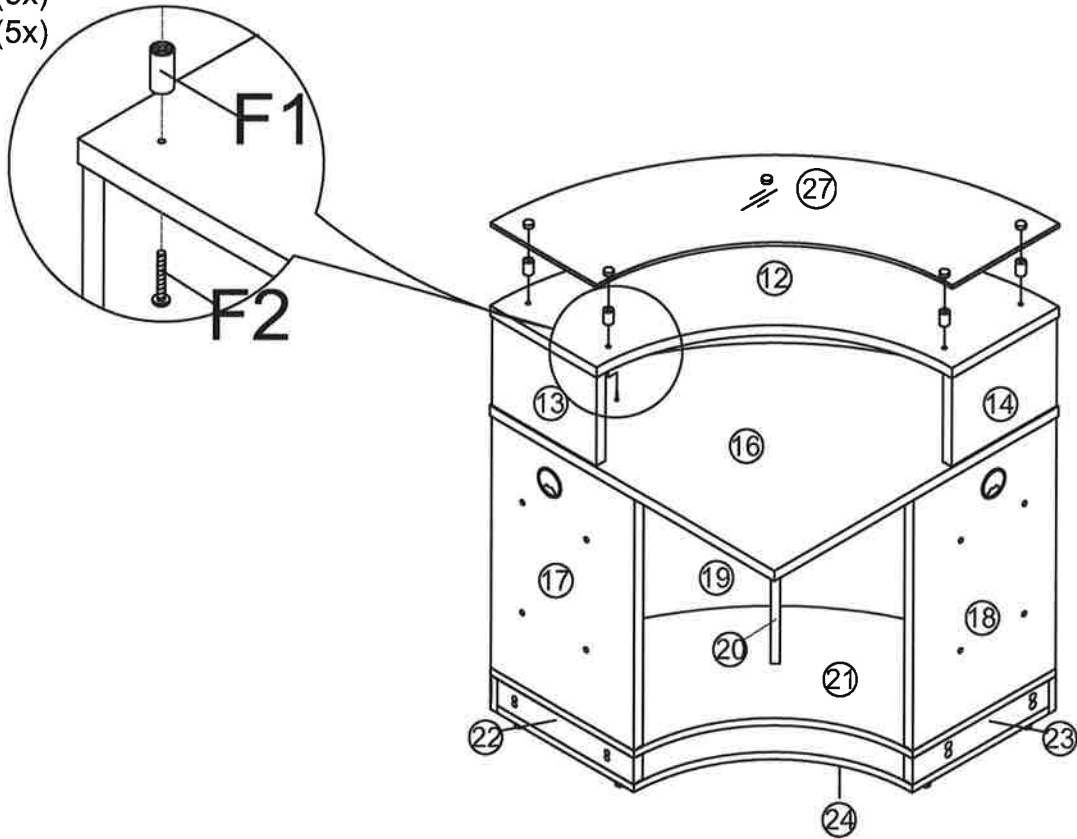
B(4X)



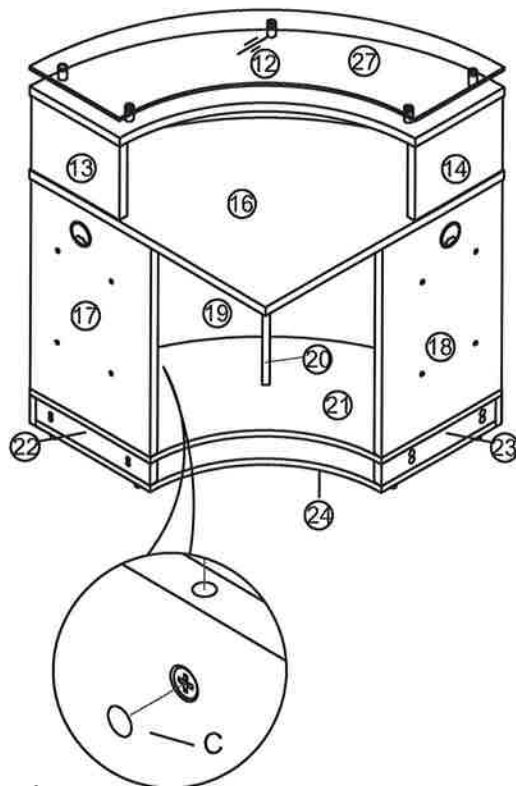
6.

7. ATTACH THE CURVED GLASS COUNTER TOP (27) TO CENTER (12) USING "F1" GLASS SPACERS AND "F2" SCREWS WITH CARE.

F1(5x)
F2(5x)



8. USE "C" CAM COVER STICKERS TO COVER ALL EXPOSED KLIX CAMS ON ALL COMPONENTS.
C(28X)



Note: If using on an end, Use "C" cam cover stickers to cover additional holes on (17) and/or (18) .