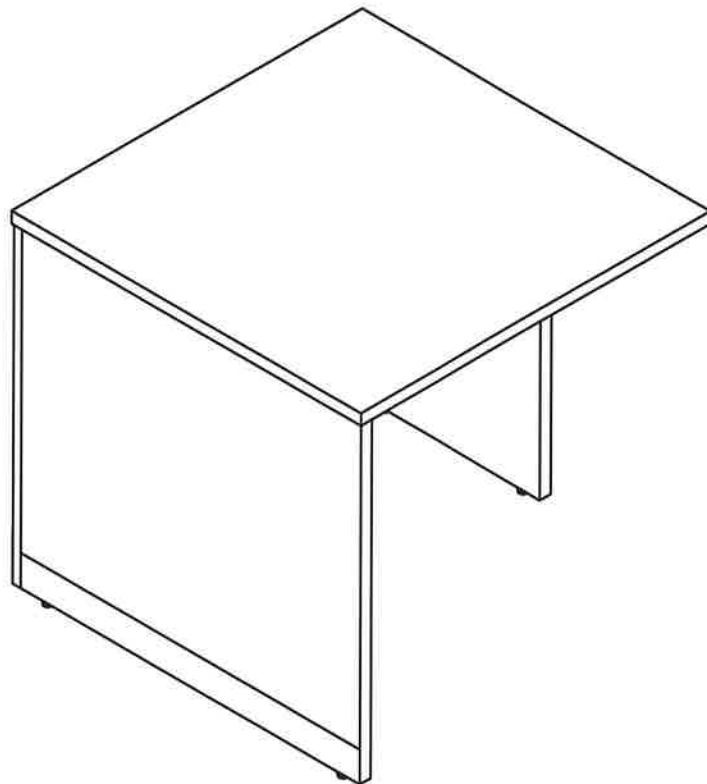


NBF










ADA HEIGHT RETURN Assembly Instructions





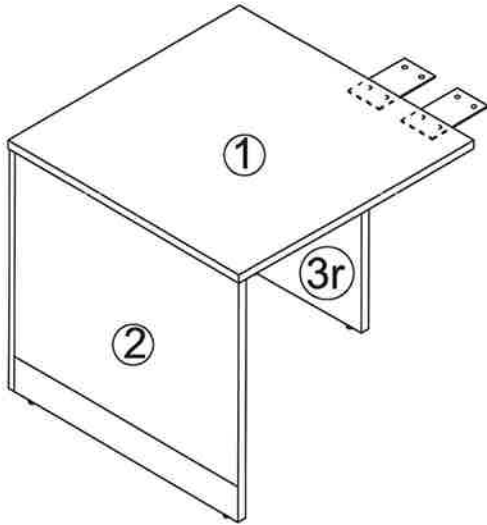
NBF

Assembly HARDWARE

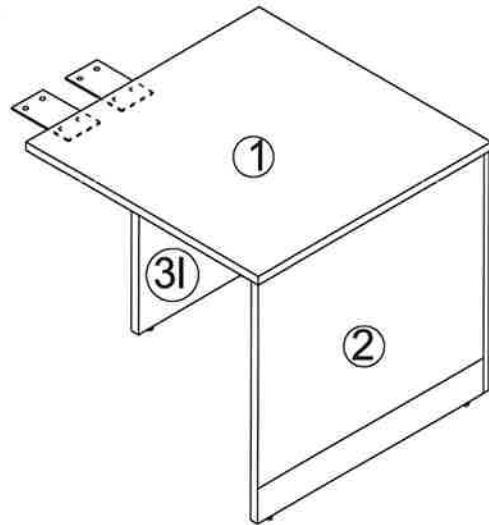
| S/N | PICTURE | NAME | TOTAL QTY | | REMARK |
|-----|--|-----------------------------------|-----------|--|---|
| A |  | CAM SCREW | 13PCS | | |
| B |  | KLIX CAM | 13PCS | | |
| C |  | CAM COVER STICKER | 13PCS | | use cam covers to cover any klix cam screws |
| D |  | WOOD DOWEL | 9PCS | | |
| E |  E1  E2 | CONNECTOR BRACKET Ø6X12 SCREWS | 4PCS | | Use to connect to another desk |
| I |  | LEVELER | 6PCS | | |

IMPORTANT: THERE ARE TWO OPTIONS FOR THIS ADA RETURN AS SHOWN BELOW.
PLEASE DECIDE WHICH ONE YOU NEED BEFORE BEGINNING ASSEMBLY.

OPTION 1 WHEN ATTACHING TO A CURVED DESK OR STRAIGHT DESK
TO CREATE AN END.
SEE STEPS 1 THROUGH 7.

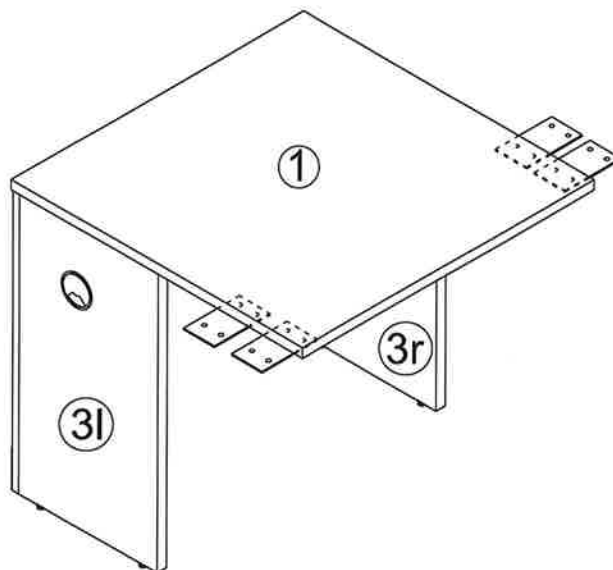


Left Hand Return



Right Hand Return

OPTION 2 WHEN USING IN BETWEEN TWO DESKS
SEE STEPS 8 THROUGH 14

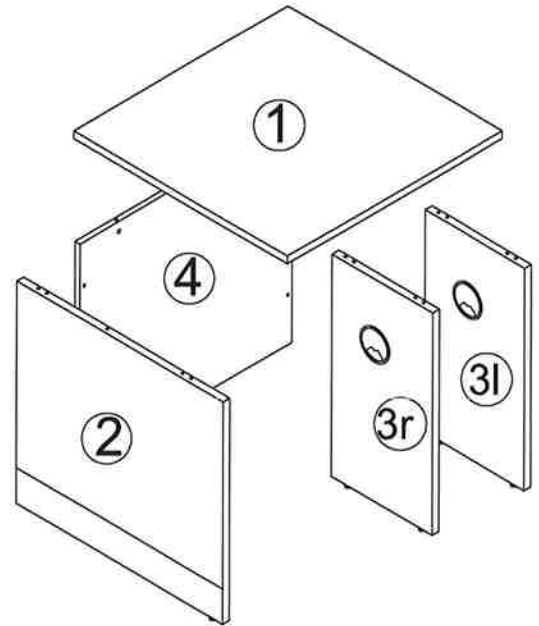


OPTION 1:FOLLOWS STEPS 1-7 IF CREATING AN END.

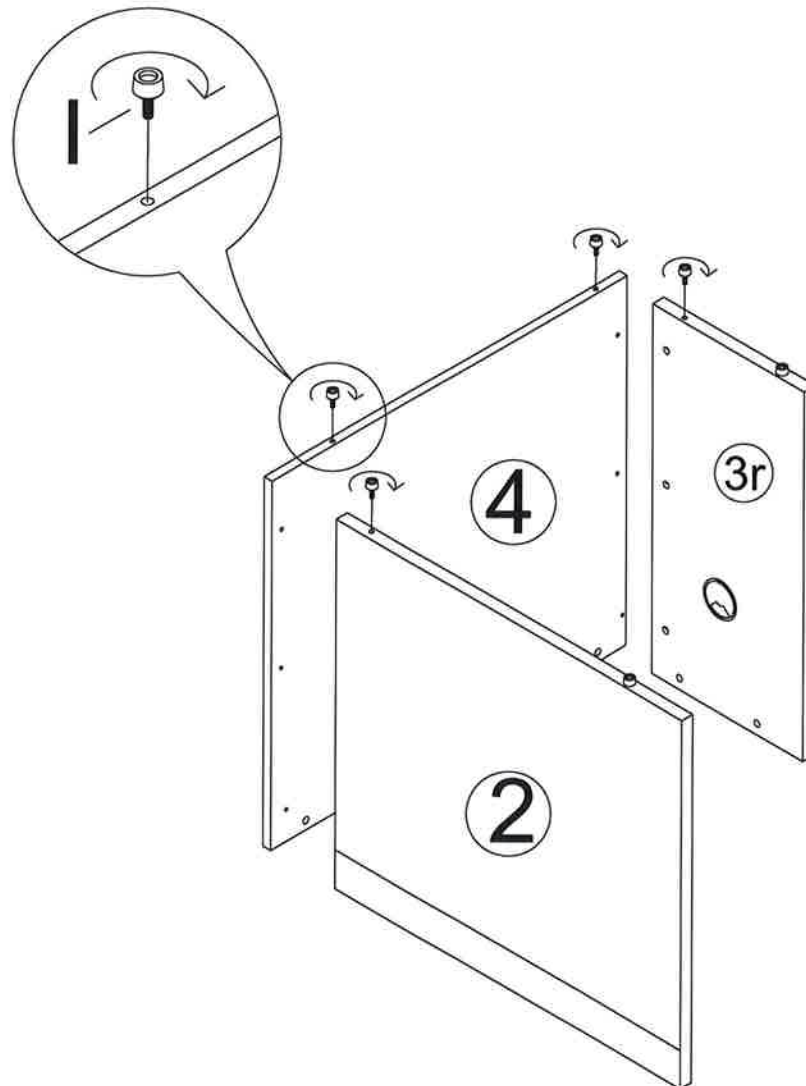
PART LIST

- ① RETURN TOP
- ② LARGE SIDE PANEL
- ③l LEFT NARROW SIDE PANEL
- ③r RIGHT NARROW SIDE PANEL
- ④ BACK PANEL

NOTE: Panels② is reversible.
When attaching to a curved desk or straight desk use 1 panel②and panel③r to attach to the left side of another desk.
Use 1 panel②and panel③l to attach to right side of another desk.



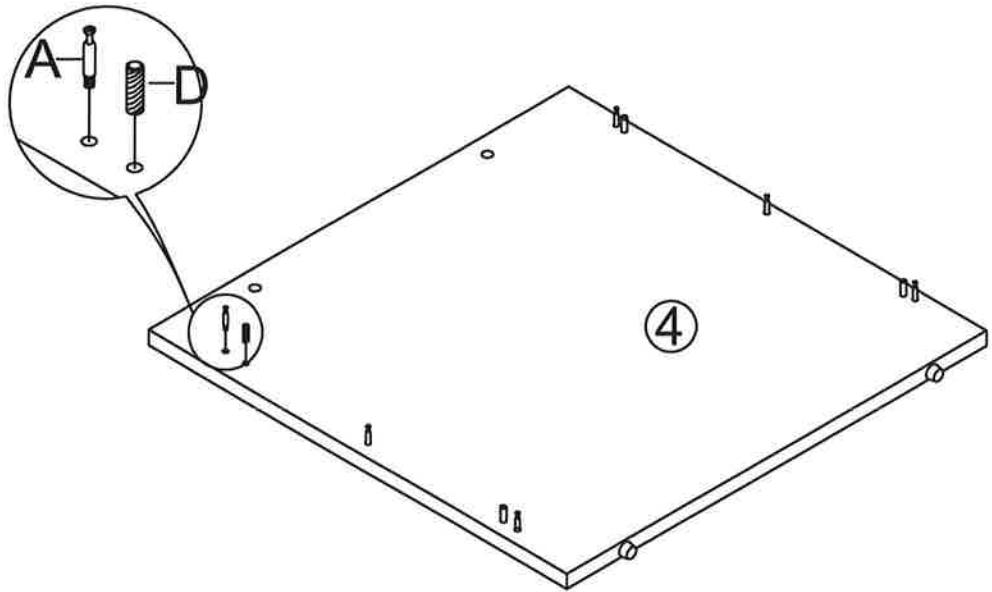
1. INSTALL "I" LEVELERS ON PANELS ② ③l ④ BOTTOMS.
1 (6x)



2. INSTALL "A" CAM SCREWS AND "D" DOWELS ON BACK ④.

A(6x)

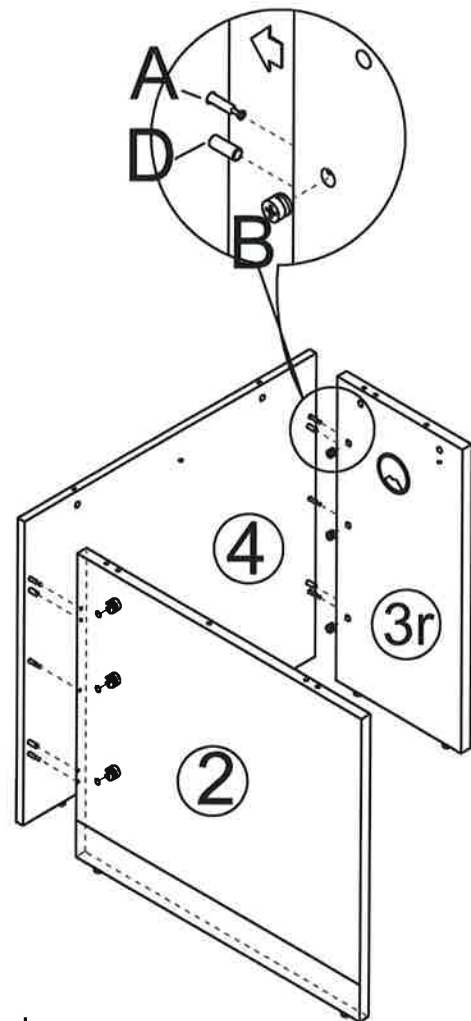
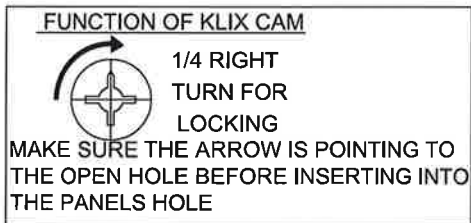
D(4x)



3. INSERT "B" KLIX CAM INTO SIDE PANELS ② & ③r, THEN CONNECT ② & ③r TO BACK ④ USING "A" CAMS SCREWS, "D" DOWELS, AND "B" KLIX CAMS. TIGHTEN.

B(6x)

IMPORTANT:



Note:

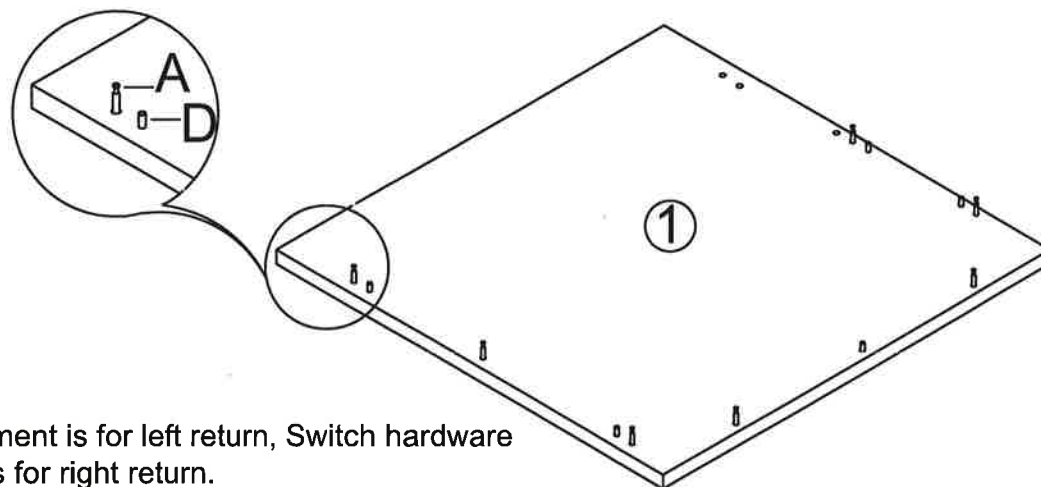
Set up shown is for a left return end. There will be extra holes as panel ② can connect on either side.

5.

4. INSTALL "A" CAM SCREWS & "D" DOWELS TO THE UNDERSIDE OF RETURN TOP ①.

A(7x)

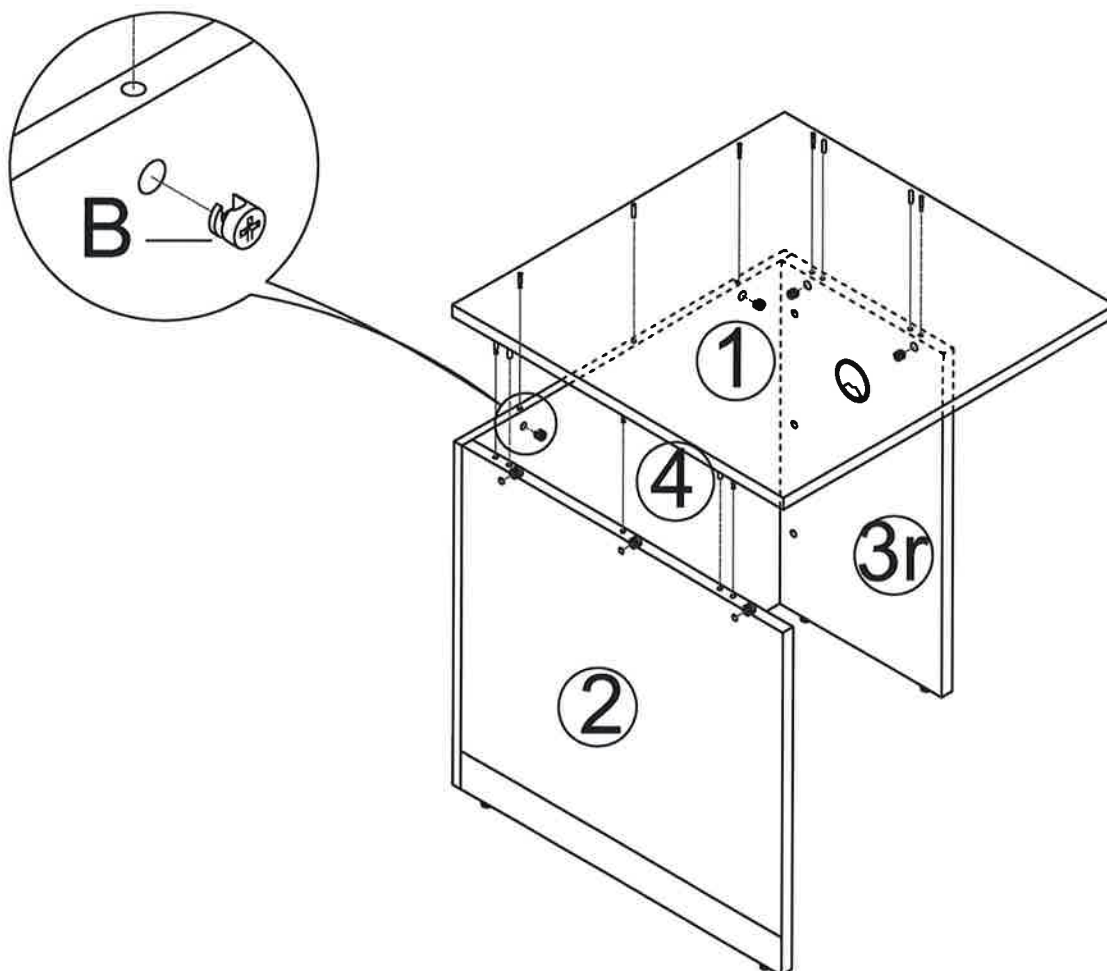
D(5x)



Note:

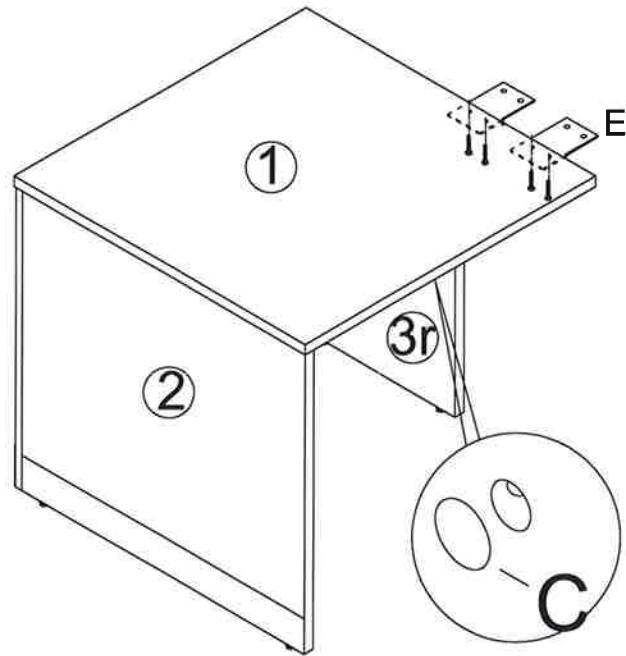
Hardware placement is for left return, Switch hardware to opposite sides for right return.

5. INSTALL "B" KLIX CAMS INTO SIDE AND BACK PANELS ② ③r AND ④. CONNECT RETURN TOP ① TO PANELS ② & ③r & ④ USING ALREADY INSTALLED "B" KLIX CAMS, "A" CAMS SCREWS AND "D" DOWELS. TIGHTEN. B(7x)



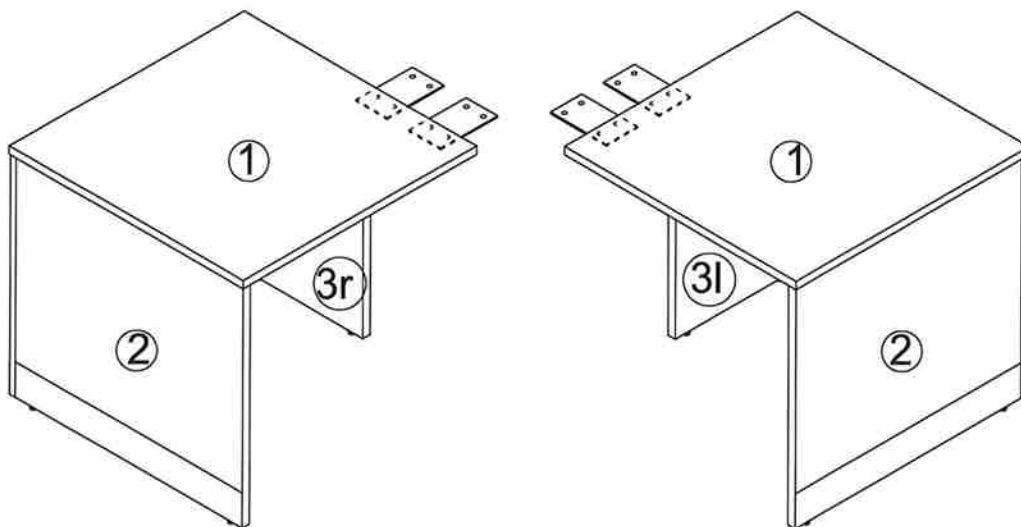
6.

6. INSTALL "C" CAM COVER STICKERS TO COVER ALL EXPOSED KLIX CAMS AND INSTALL "E" BRACKETS UNDER DESK TOP ① .
C(13X)
E1(2X)
E2(4X)



Note: Press in to fit.

7. COMPLETE, READY TO ATTACH TO ANOTHER DESK.



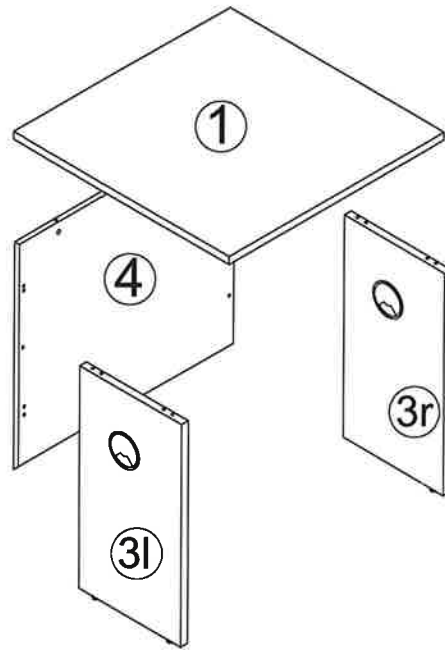
Left Hand Return

Right Hand Return

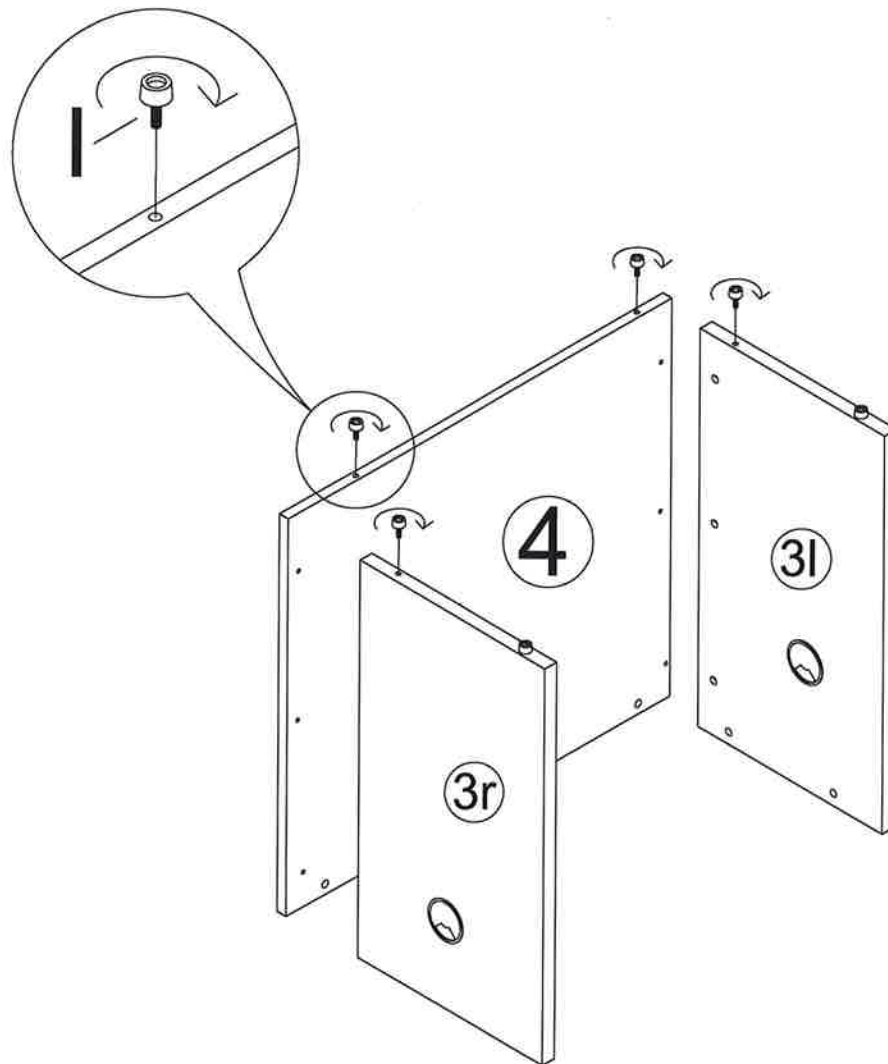
OPTION 2: FOLLOW STEPS 8 TO 14 TO CREATE CENTER PIECE BETWEEN TWO DESKS.

PART LIST

- ① RETURN TOP
- ③ LEFT NARROW SIDE PANEL
- ③r RIGHT NARROW SIDE PANEL
- ④ BACK PANEL

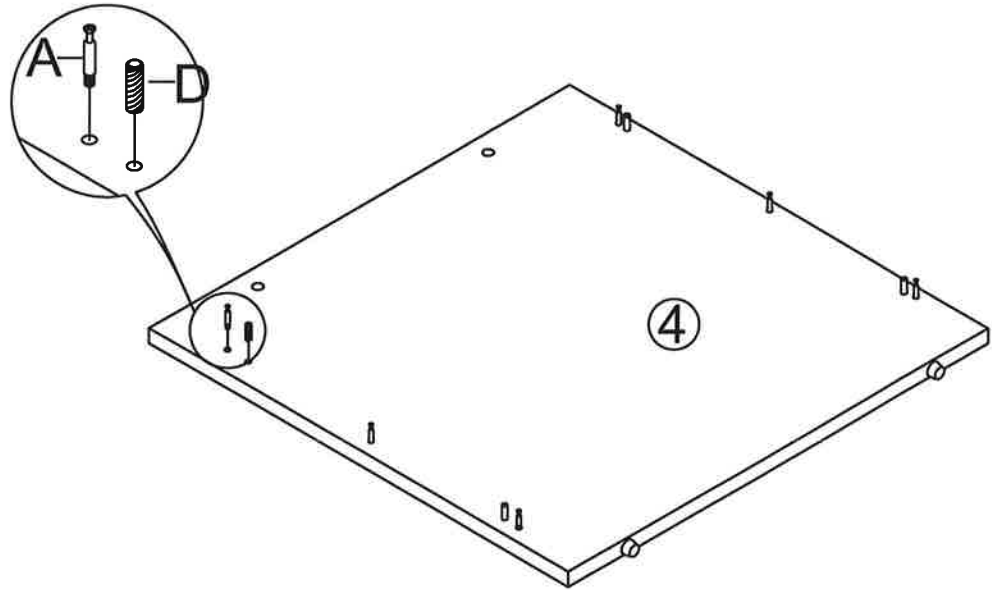


8. INSTALL "I" LEVELERS ON PANELS ③l AND ③r AND ④ BOTTOMS.
I (6x)



9. INSTALL "A" CAM SCREWS AND "D" DOWELS ON BACK ④.

A(6x)
D(4X)



10. INSERT "B" KLIX CAM INTO SIDE PANEL ③l AND ③r, THEN CONNECT ③l AND ③r TO BACK ④ USING THE "A" CAMS SCREWS, "D" DOWELS, AND "B" KLIX CAMS. TIGHTEN.

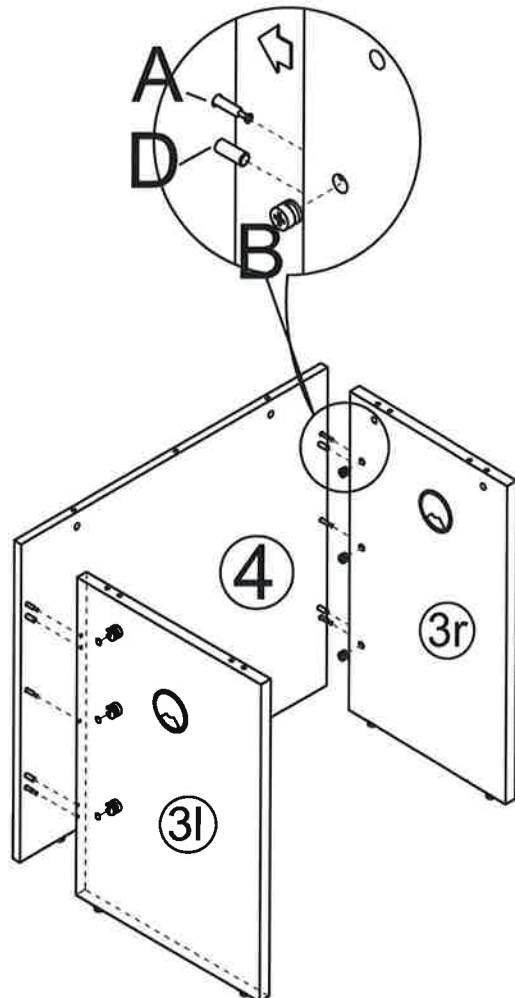
B(6x)

IMPORTANT:

FUNCTION OF KLIX CAM

1/4 RIGHT
TURN FOR
LOCKING

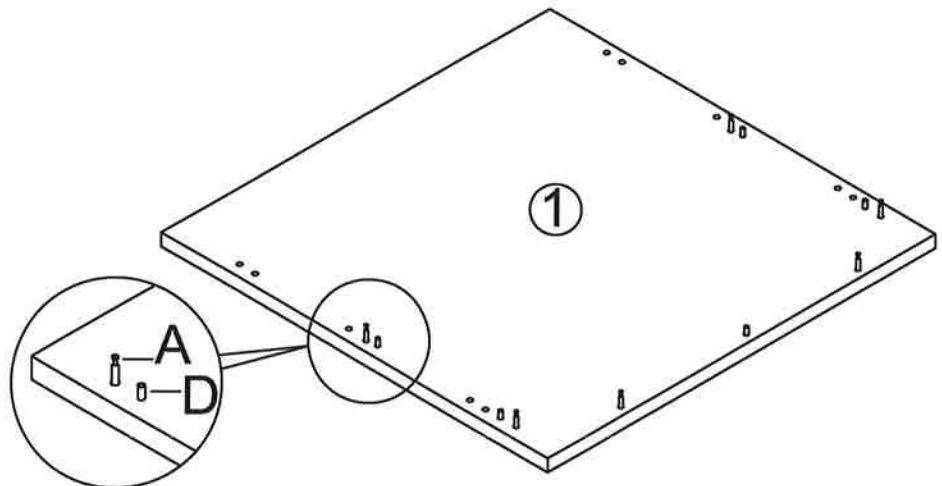
MAKE SURE THE ARROW IS POINTING TO
THE OPEN HOLE BEFORE INSERTING INTO
THE PANELS HOLE



11. INSTALL "A" CAM SCREWS & "D" DOWELS TO THE UNDERSIDE OF RETURN TOP ①.

A(6x)

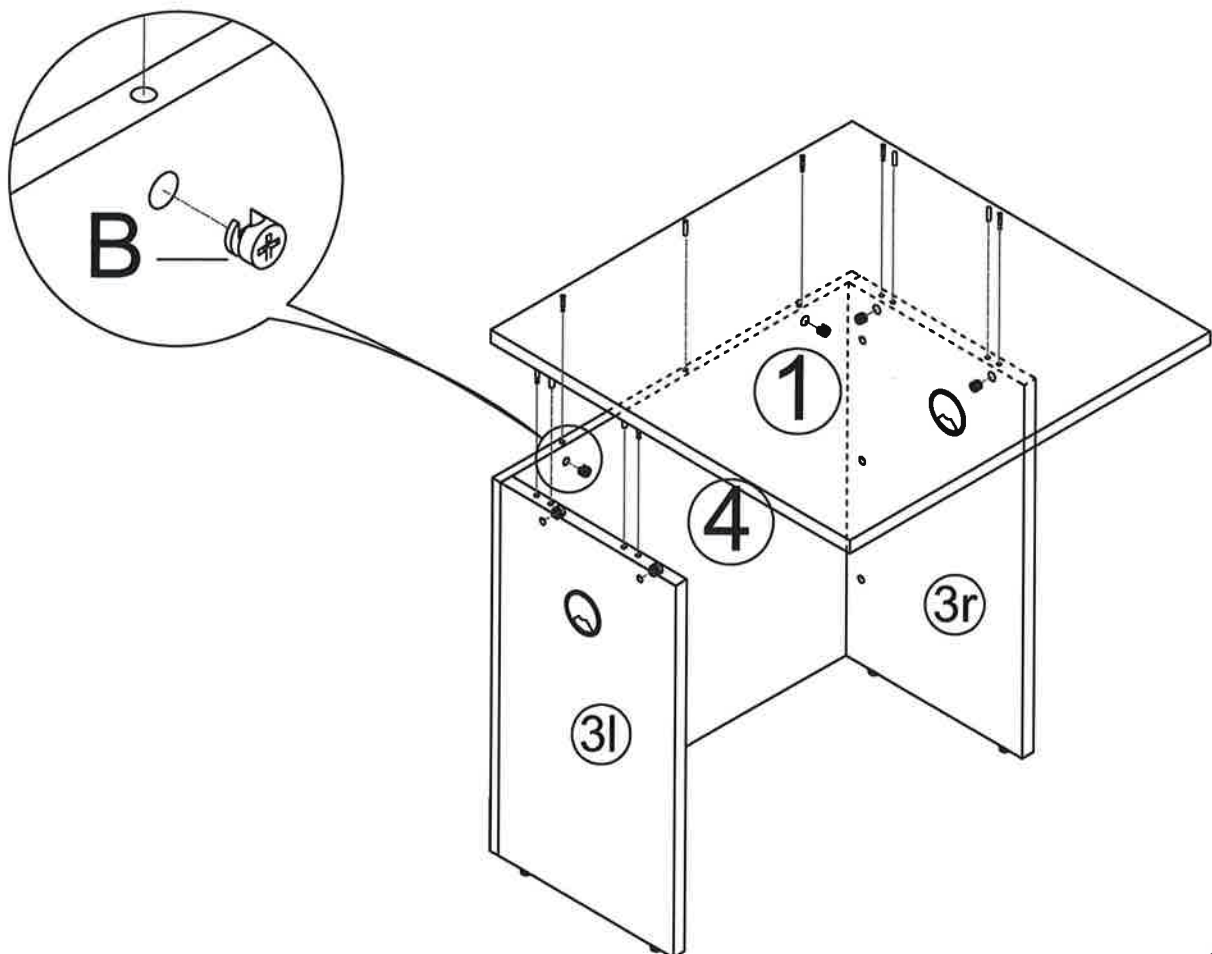
D(5x)



Note: As the desktop needs to be able to attach to side panels ② and ③, there will be some empty holes.

12. INSTALL "B" KLIX CAMS INTO SIDE AND BACK PANELS ③l ③r & ④. CONNECT RETURN TOP ① TO PANELS ③l ③r & ④ USING ALREADY INSTALLED "B" KLIX CAMS, "A" CAMS SCREWS AND "D" DOWELS. TIGHTEN.

B(6x)

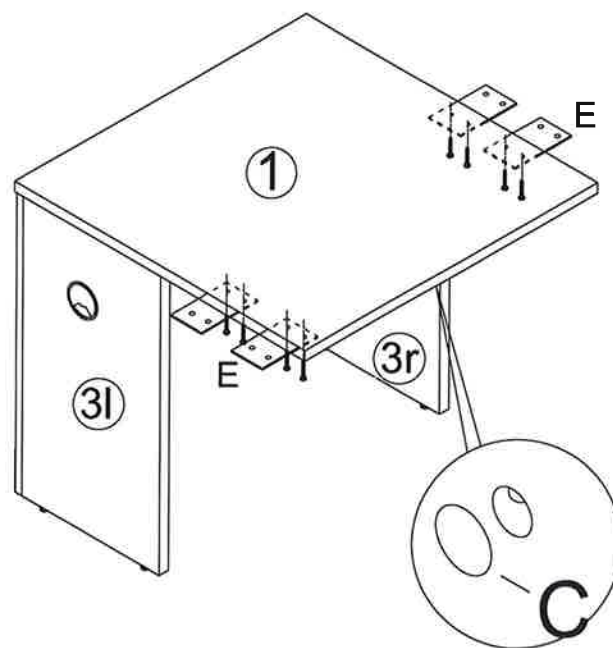


13. INSTALL "C" CAM COVER STICKERS TO COVER ALL EXPOSED KLIX CAMS AND INSTALL "E" BRACKETS UNDER DESK TOP ① .

C(13X)

E1(4X)

E2(8X)



Note: Press in to fit.

14. COMPLETE (READY TO ATTACH BETWEEN TWO DESKS.)

