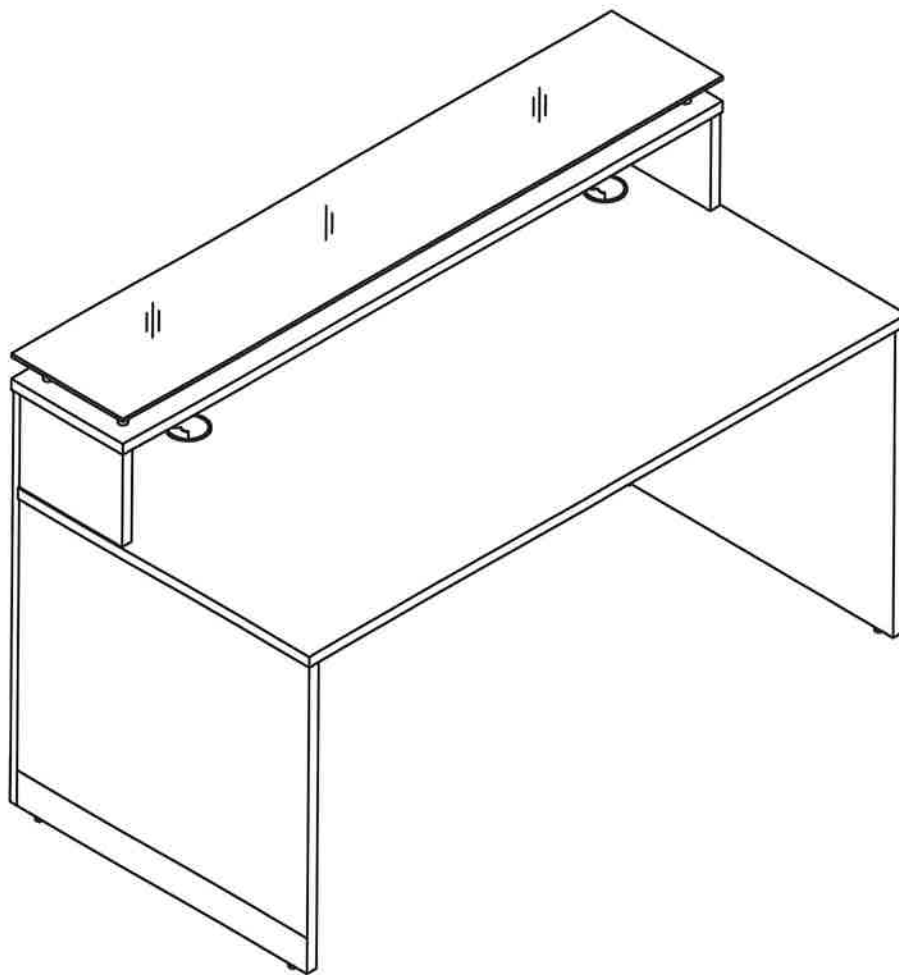


# NBF














## 63" Straight Desk Assembly Instructions



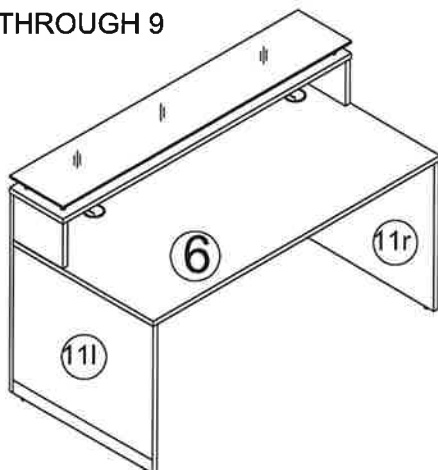


Assembly HARDWARE

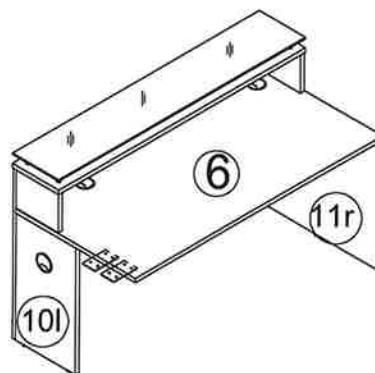
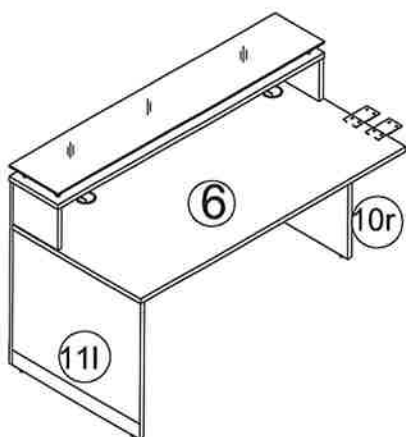
S/N	PICTURE	NAME	TOTAL QTY		REMARK
A		CAM SCREW	26PCS		
B		KLIX CAM	26PCS		
C		CAM COVER STICKER	26PCS		use cam covers to cover any klix cam
D		WOOD DOWEL	23PCS		
E	 E1  E2	CONNECTOR BRACKET Ø6X12 SCREWS	4PCS		Use to connect to another desk.
F	 F1  F2	GLASS SPACERS SCREWS	6PCS		
G		CONNECTOR SCREW	4PCS		Use to connect to another desk
H		GROMMET	2PCS		
I		LEVELER	4PCS		

IMPORTANT: THERE ARE THREE OPTIONS FOR THIS STRAIGHT DESK AS SHOWN BELOW.  
PLEASE DECIDE WHICH ONE YOU NEED BEFORE BEGINNING ASSEMBLY.

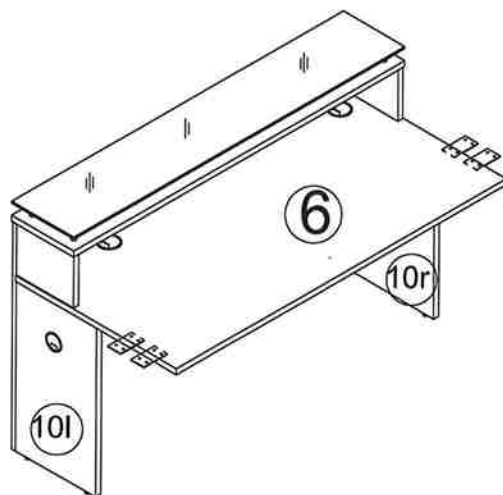
**OPTION 1** WHEN CREATING A STAND ALONE DESK:  
SEE STEPS 1 THROUGH 9



**OPTION 2** WHEN ATTACHING TO ANOTHER DESK TO CREATE AN END:  
SEE STEPS 10 THROUGH 18



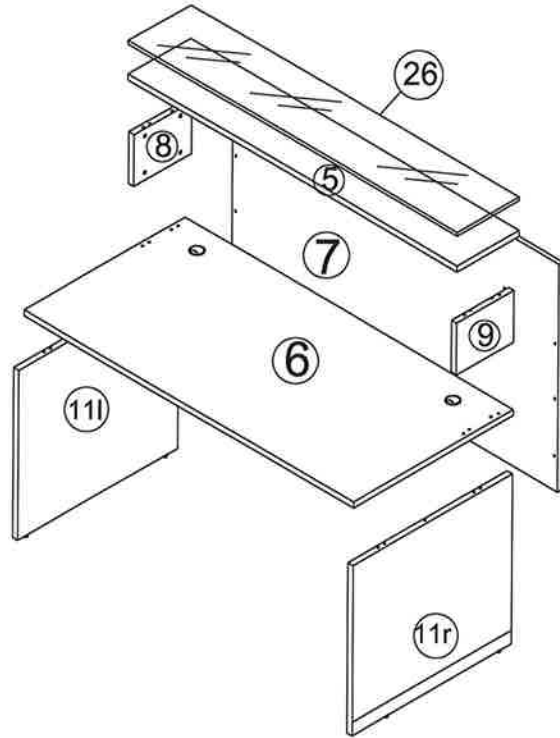
**OPTION 3** WHEN ADDING IN THE MIDDLE OF TWO DESKS:  
SEE STEPS 19 THROUGH 27



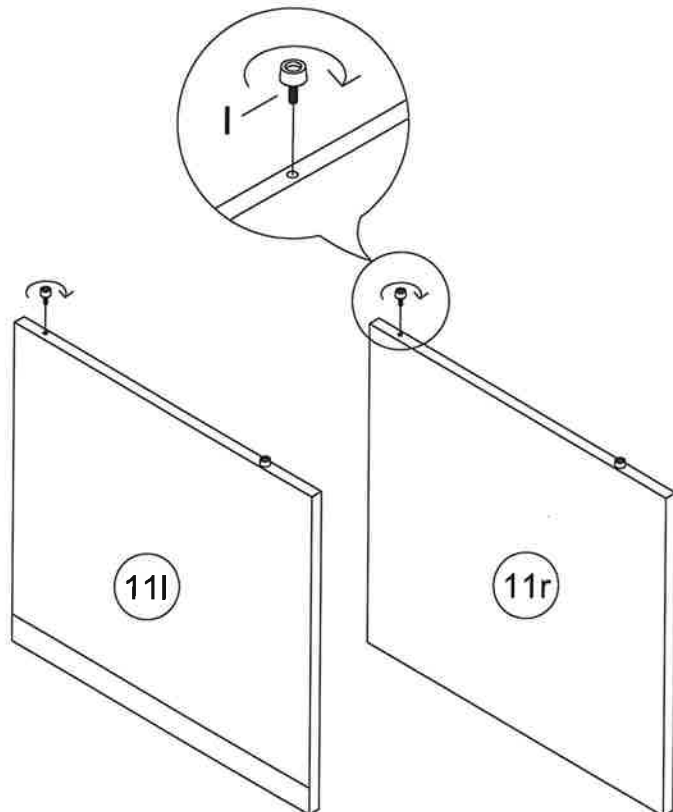
OPTION 1:  
FOLLOW STEPS 1 THROUGH 9 TO CREATE STAND ALONE DESK.

## PARTS LIST

- ⑤ COUNTER TOP
- ⑥ DESK TOP
- ⑦ BACK
- ⑧ ⑨ COUNTER SUPPORTS
- ⑪① LEFT LARGE SIDE PANEL
- ⑪①r RIGHT LARGE SIDE PANEL
- ⑳② GLASS COUNTER TOP



1. INSTALL THE "I" LEVELERS ON THE BOTTOM OF ⑪① AND ⑪①r SIDE PANELS.  
I(4x)

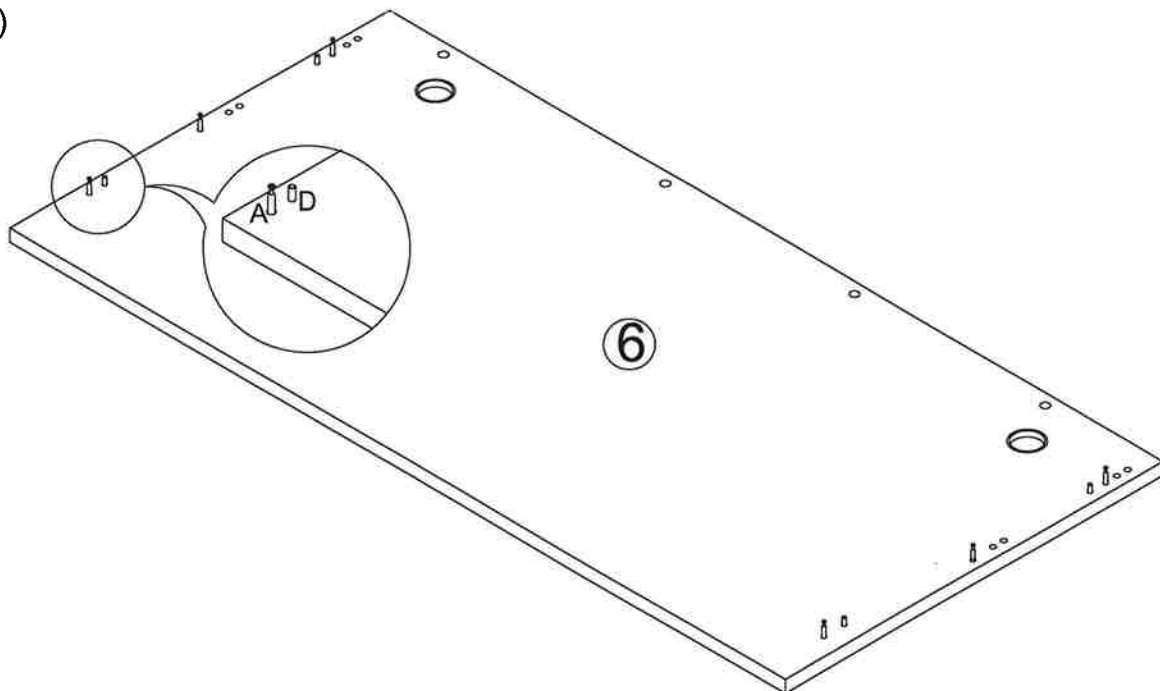


4.

2. INSTALL "A" CAM SCREWS & "D" WOOD DOWELS TO THE UNDERSIDE OF DESK TOP ⑥.

A(6x)

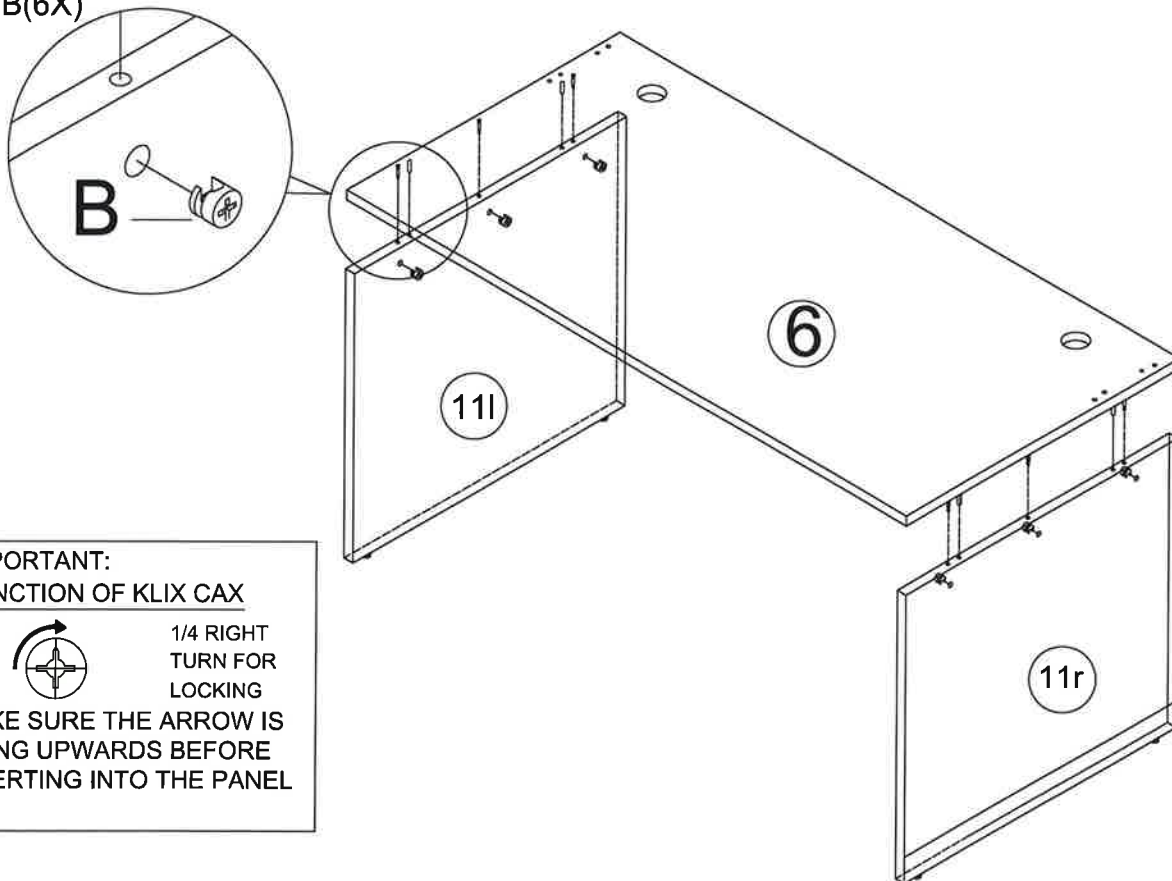
D(4X)



Note: As the desktop needs to be able to attach to side panels ⑪ and ⑩, there will be some empty holes.

3. INSERT "B" KLIX CAMS TO SIDE PANELS ⑪ AND ⑪r, THEN CONNECT TO THE DESK TOP ⑥ USING THE "A" CAM SCREWS AND "D" DOWELS. TIGHTEN.

B(6X)



**IMPORTANT:**  
FUNCTION OF KLIX CAM



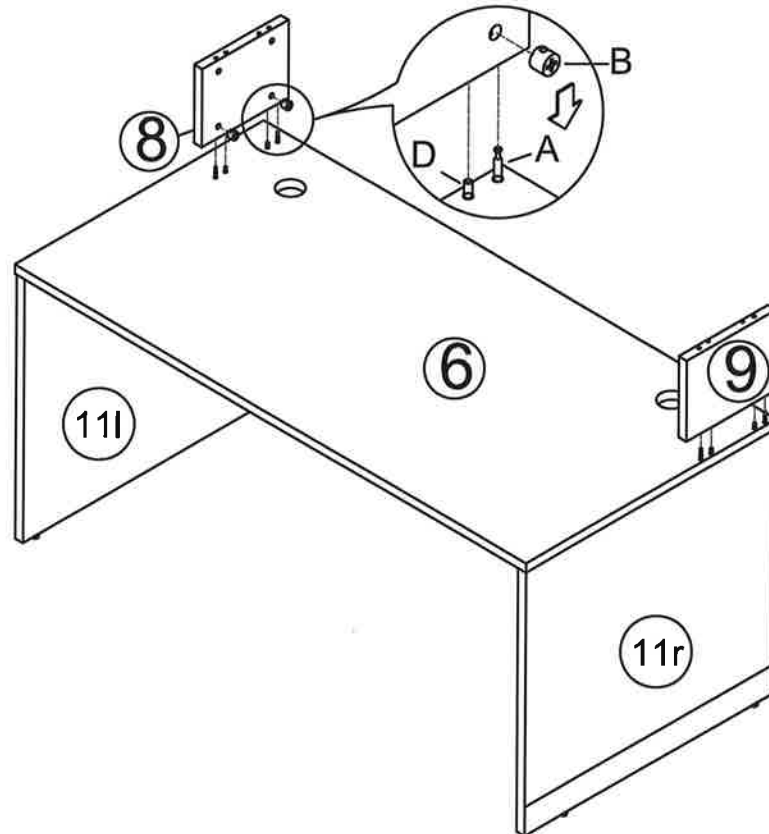
1/4 RIGHT  
TURN FOR  
LOCKING

MAKE SURE THE ARROW IS  
POINTING UPWARDS BEFORE  
INSERTING INTO THE PANEL

5.

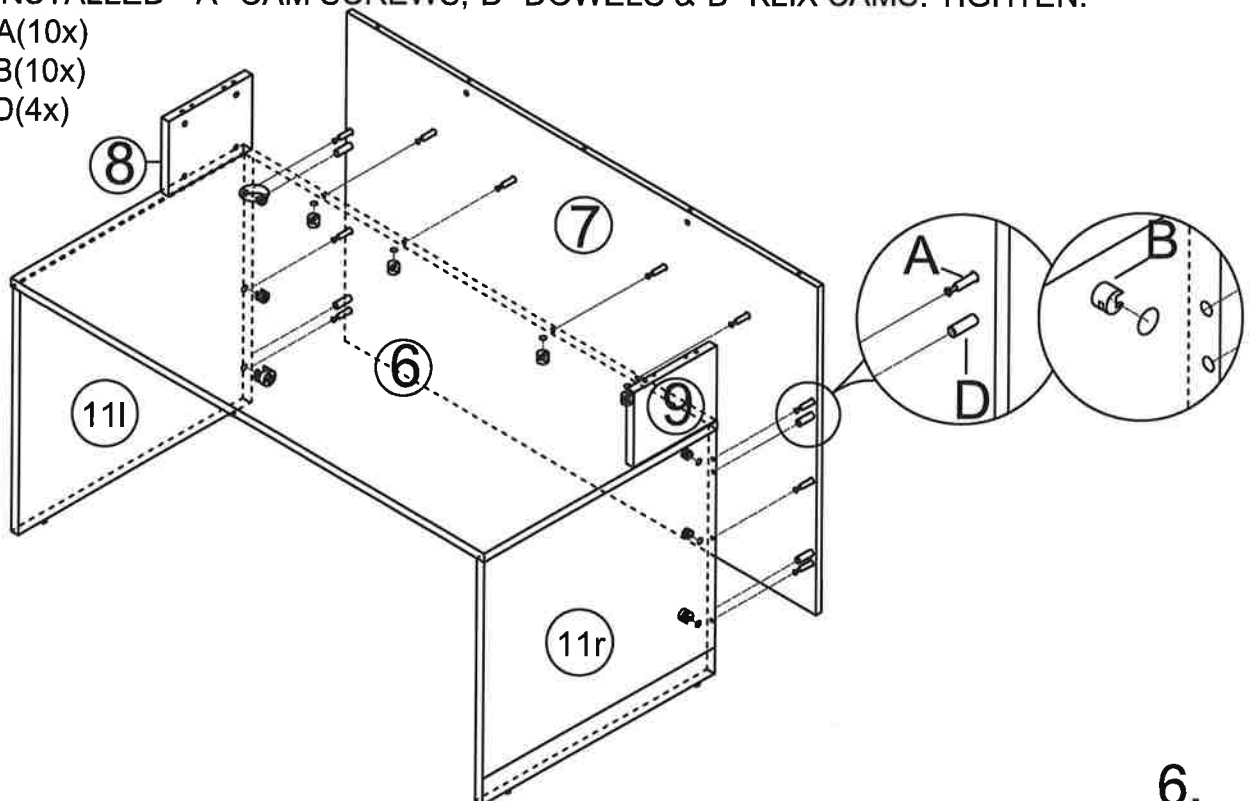
4. INSTALL "A" CAM SCREWS AND "D" DOWELS ON DESK TOP ⑥, INSTALL "B" KLIX CAMS ON SUPPORTS ⑧ & ⑨, THEN CONNECT SUPPORTS ⑧ & ⑨ TO TOP ⑥ USING "B" KLIX CAMS. TIGHTEN.

A(4x)  
B(4x)  
D(4x)



5. INSTALL "A" CAM SCREWS AND "D" DOWELS TO BACK ⑦. INSTALL "B" KLIX CAMS TO PANELS ⑪ & ⑪<sub>r</sub> & ⑥. CONNECT ⑦ TO ⑪ AND ⑪<sub>r</sub> & ⑥ USING INSTALLED "A" CAM SCREWS, "D" DOWELS & "B" KLIX CAMS. TIGHTEN.

A(10x)  
B(10x)  
D(4x)



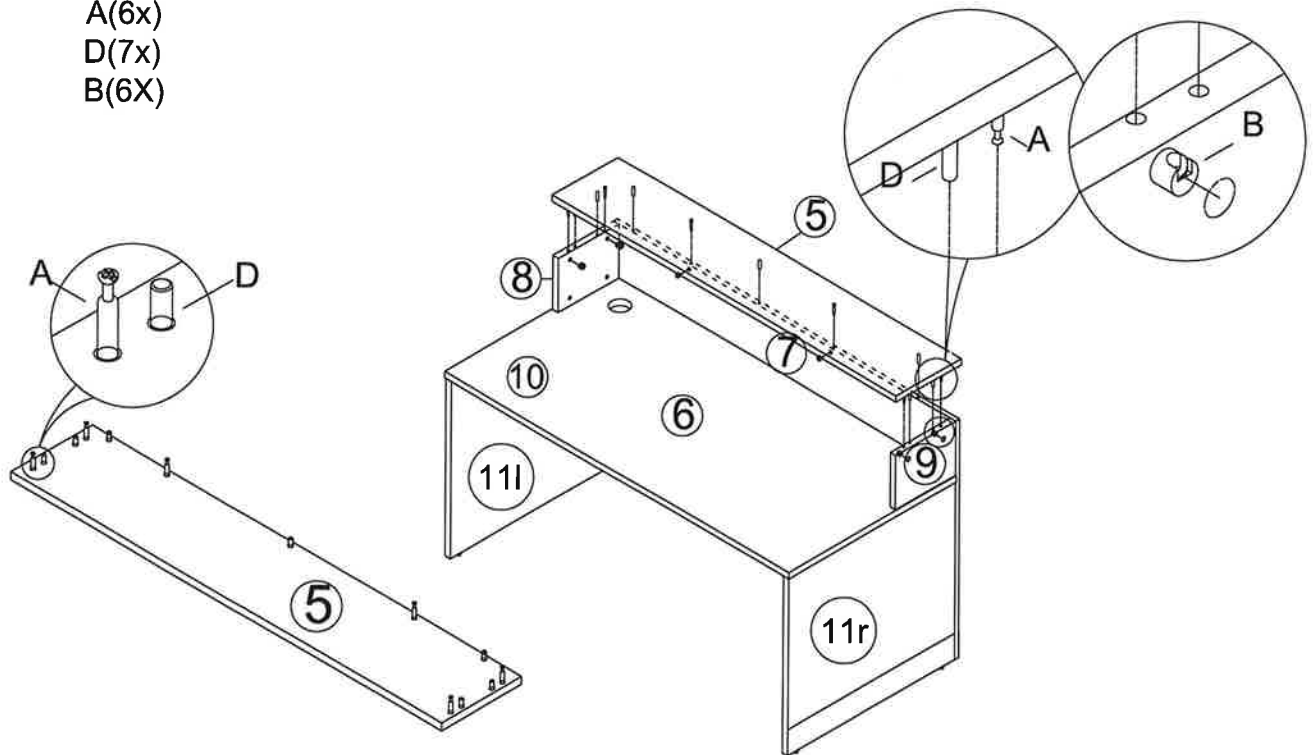


6. INSTALL "A" CAM SCREWS & "D" WOOD DOWELS ON THE UNDERSIDE OF COUNTER TOP (5), THEN INSTALL "B" KLIX CAMS ON PANELS (7) (8) & (9), CONNECT COUNTER (5) ON TOP OF (8) (9) & (7). TIGHTEN.

A(6x)

D(7x)

B(6X)

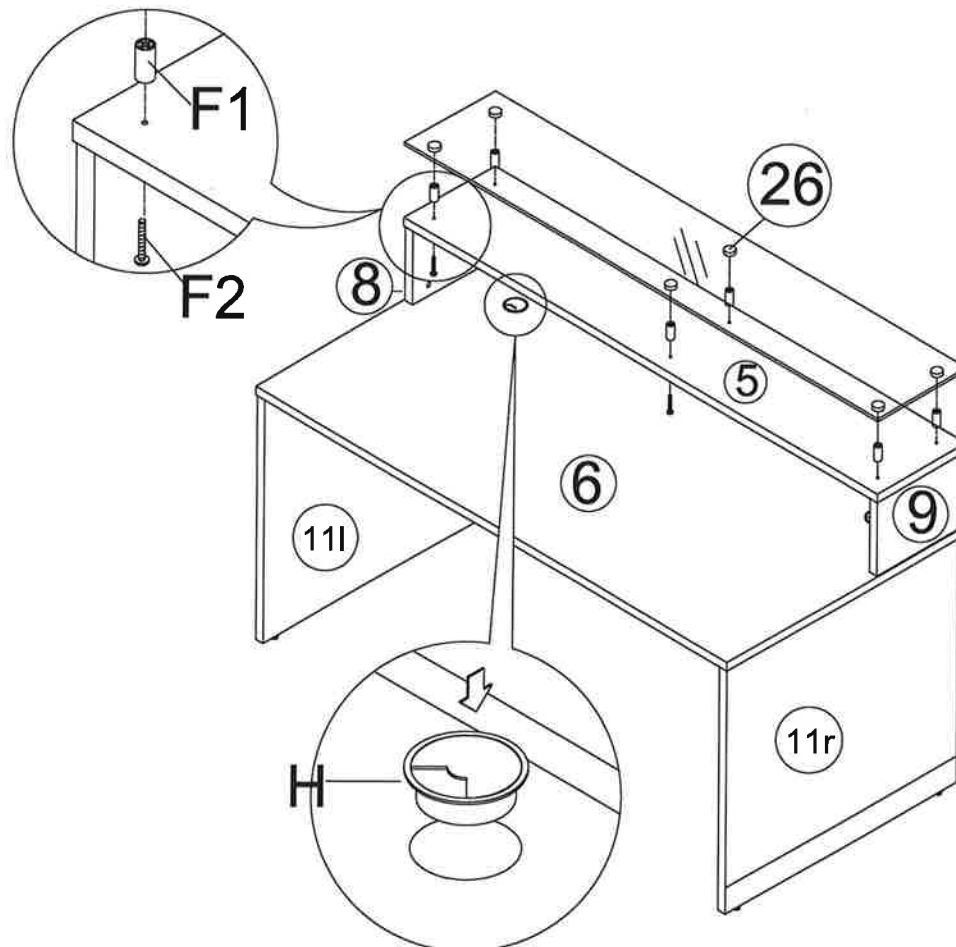


7. INSTALL THE GLASS COUNTER TOP (26) USING "F1" GLASS SPACERS AND "F2" SCREWS. INSTALL "H" GROMMETS ON TOP (6).

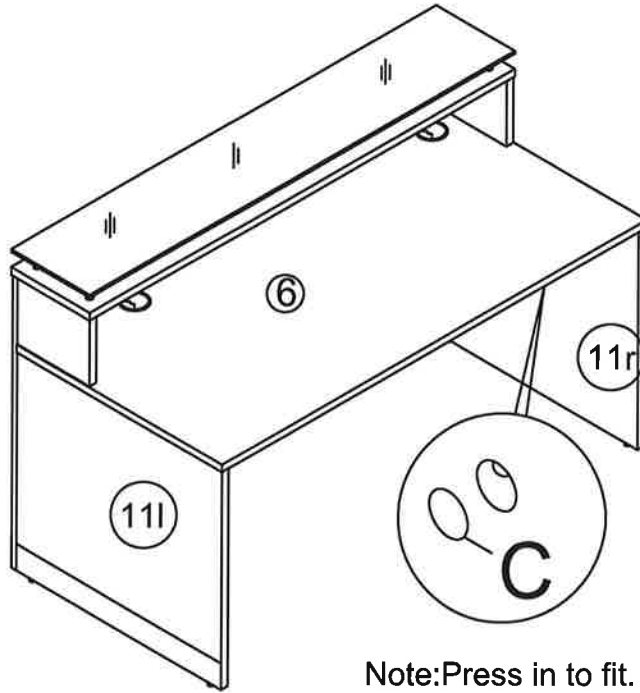
F1(6x)

F2(6x)

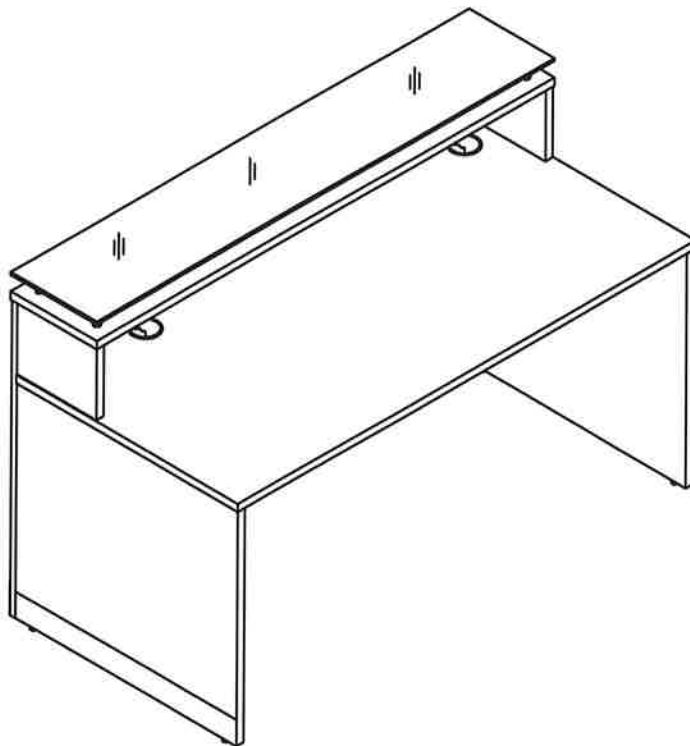
H(2x)



8. INSTALL "C" CAM COVER STICKERS TO COVER ALL EXPOSED KLIX CAMS .  
C(26x)



9. COMPLETE (STAND ALONE DESK)



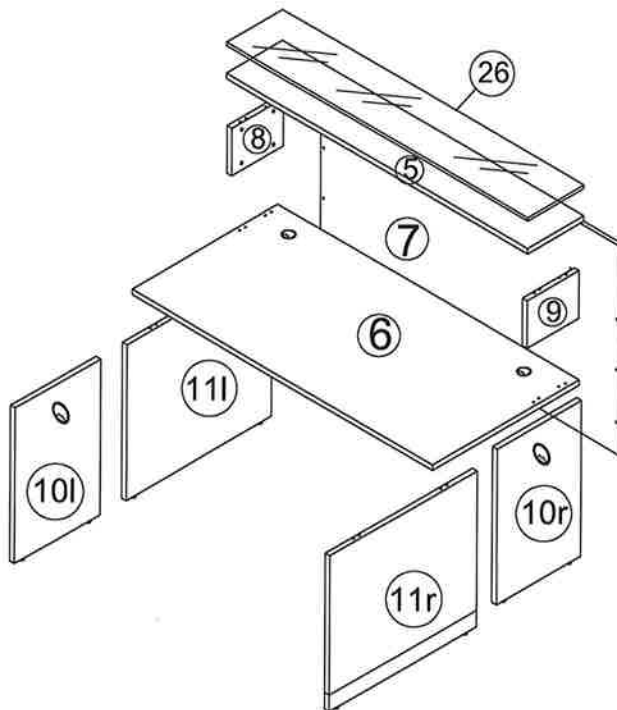


OPTION 2:

FOLLOW STEPS 10 THROUGH 18 TO CREATE DESK TO ATTACH TO AN END OF ANOTHER DESK.

### PARTS LIST

- ⑤ COUNTER TOP
- ⑥ DESK TOP
- ⑦ BACK
- ⑧ ⑨ COUNTER SUPPORTS
- ⑩ ⑩r SMALL SIDE PANEL
- ⑪ ⑪r LARGE SIDE PANEL
- ⑫ GLASS COUNTER TOP

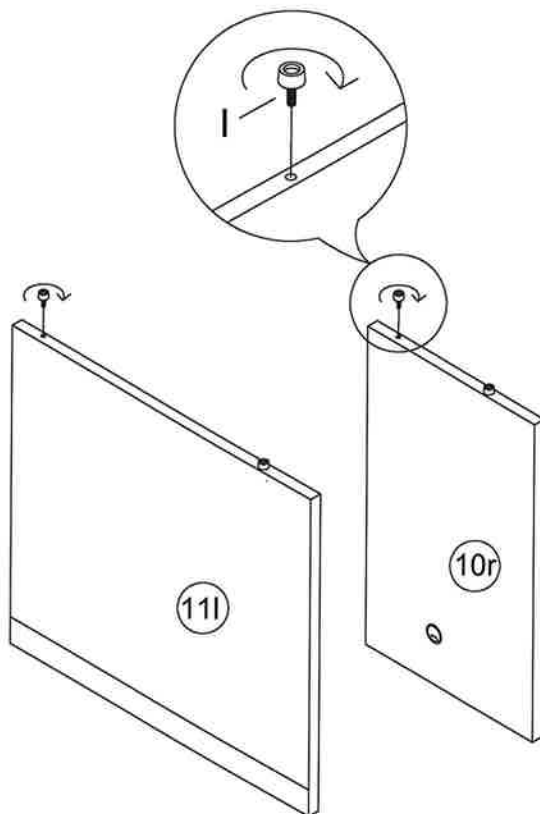


Notes:

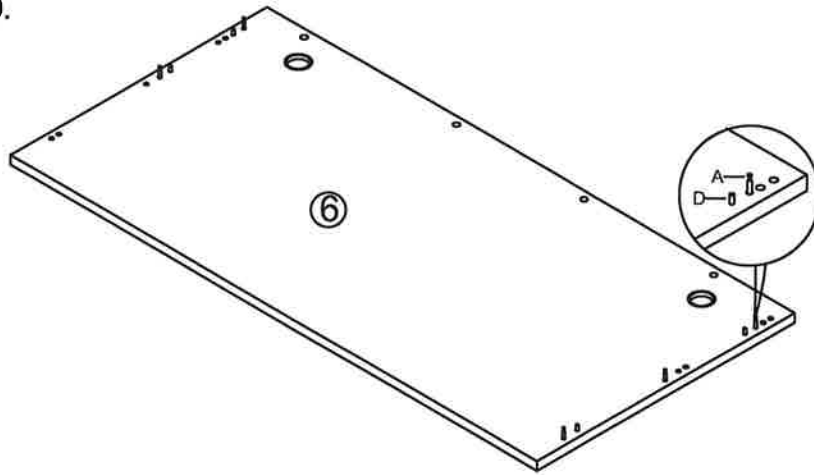
Use 1 large side panel (11l) and 1 small side panel (10r) as the drawing show above when attaching to the left side of another desk.

If Attaching to the right side of another desk, use (10l) and (11r).

10. INSTALL THE "I" LEVELERS ON THE BOTTOM OF (11l) & (10r) SIDE PANELS. (4x)



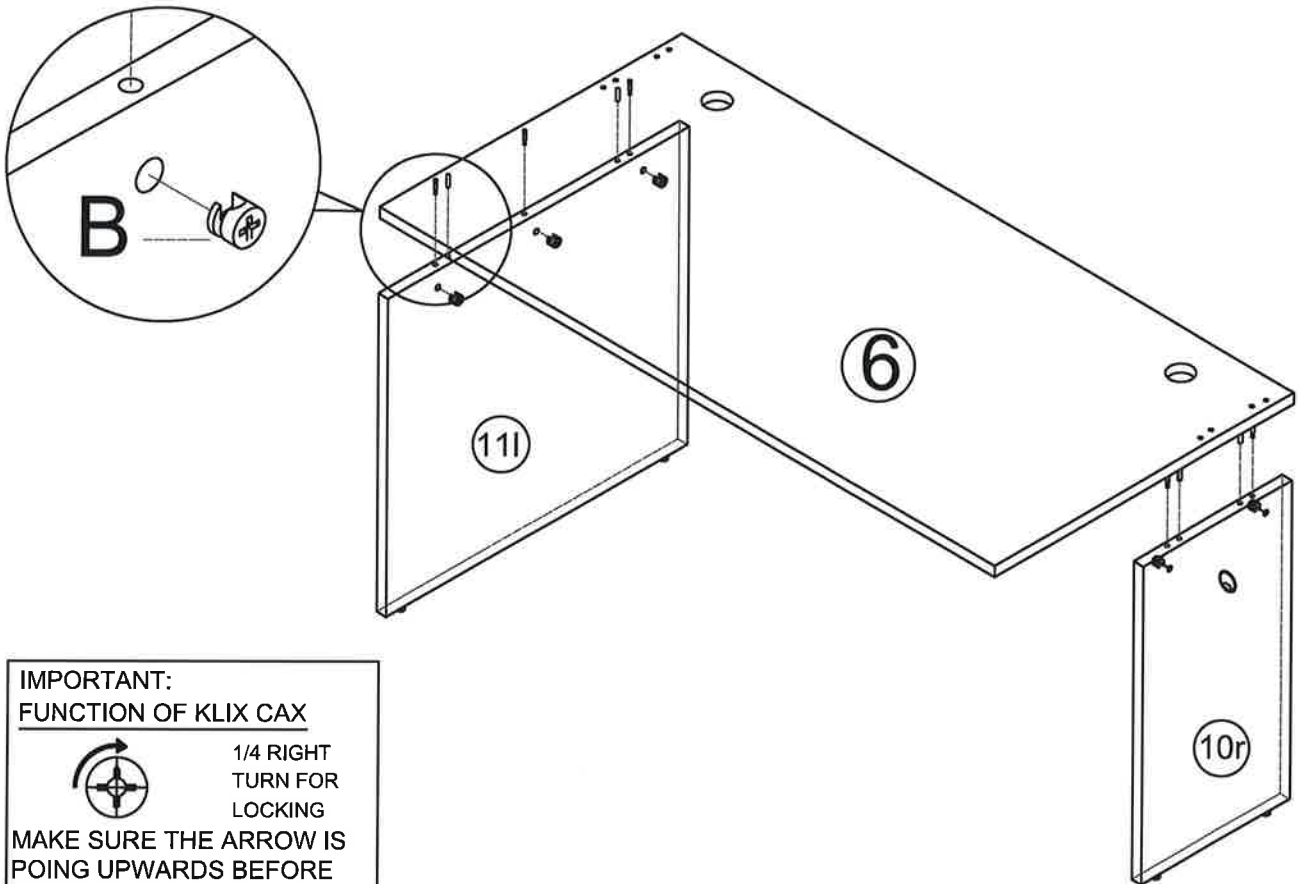
11. INSTALL "A" CAM SCREWS & "D" WOOD DOWELS TO THE UNDERSIDE OF DESK TOP ⑥.  
 A(5x)  
 D(4X)




Notes:

- 1.As the desktop needs to be able to attach to side panels ① and ⑩ there will be some empty holes.
- 2.Hardware placement is for Desk end on left side, Switch hardware to opposite sides for right end.

- 12.INSERT "B" KLIX CAMS TO SIDE PANELS ⑩r & ①1l, THEN CONNECT TO THE DESK TOP ⑥ USING THE "A" CAM SCREWS AND "D" DOWELS. TIGHTEN.  
 B(5X)



**IMPORTANT:**  
**FUNCTION OF KLIX CAX**



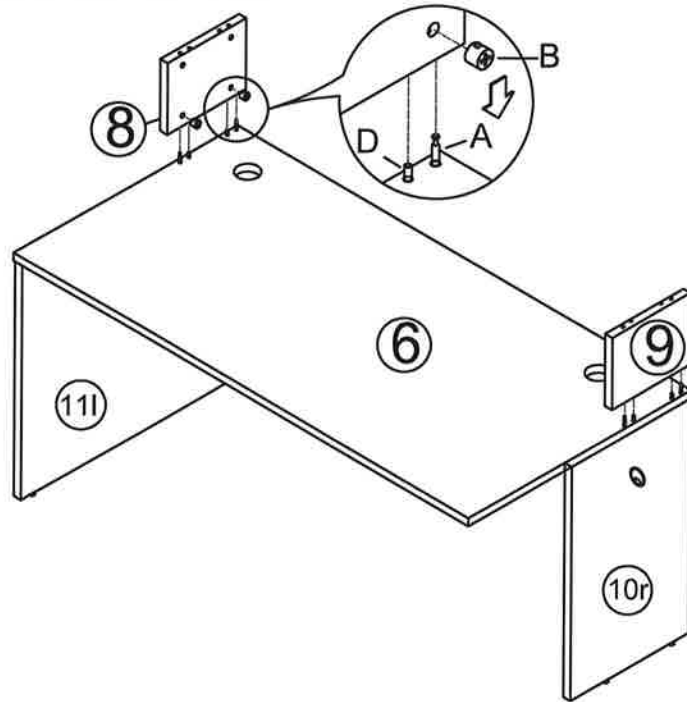
1/4 RIGHT  
 TURN FOR  
 LOCKING

MAKE SURE THE ARROW IS  
 POING UPWARDS BEFORE  
 INSERTING INTO THE PANEL

Note: Setup shown is for desk end on left side, Use ①1r and ⑩l to create a right end.

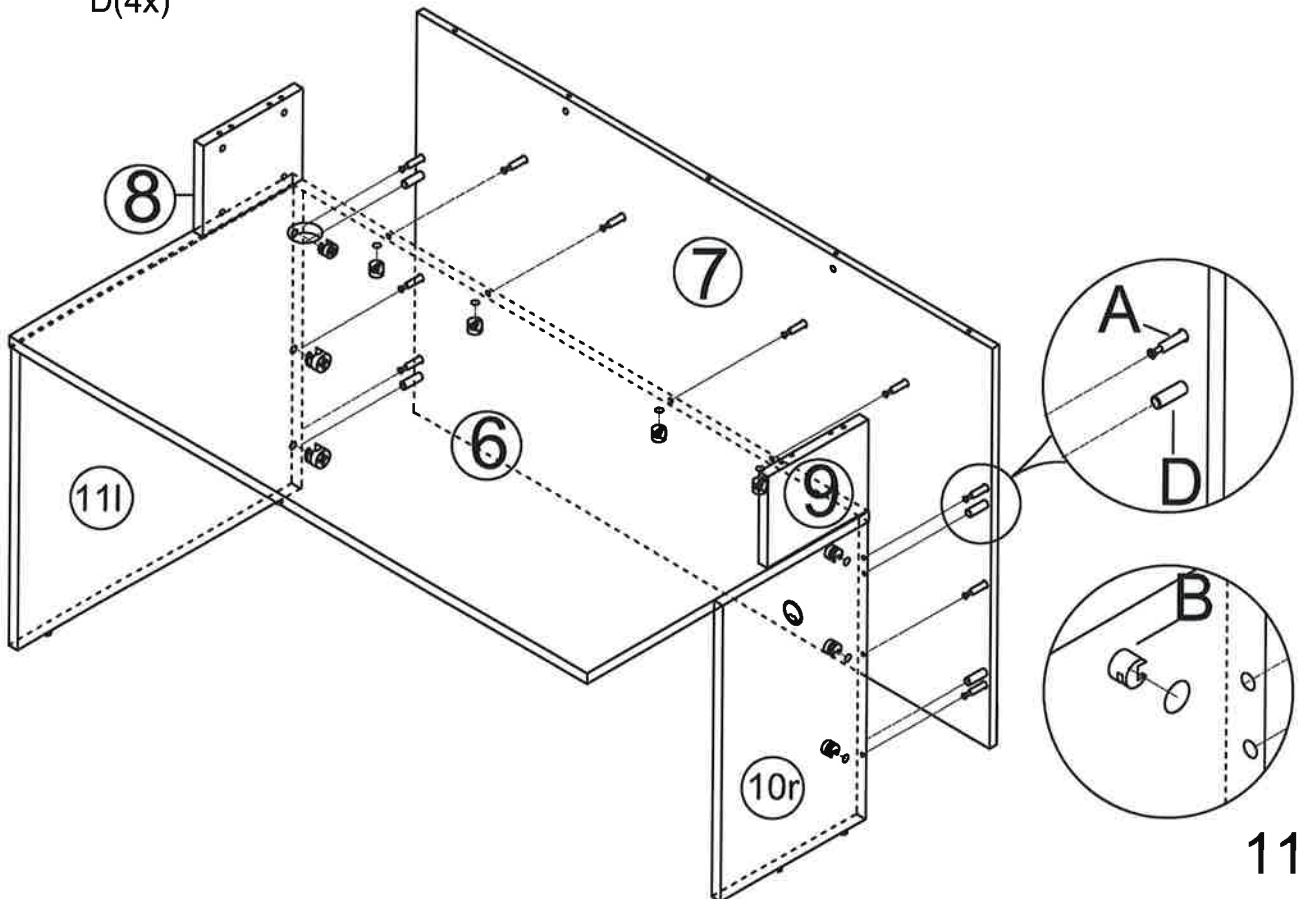
13. INSTALL "A" CAM SCREWS AND "D" DOWELS ON DESK TOP ⑥, INSTALL "B" KLIX CAMS ON SUPPORTS ⑧ & ⑨, THEN CONNECT SUPPORTS ⑧ & ⑨ TO TOP ⑥ USING "B" KLIX CAM. TIGHTEN.

A(4x)  
B(4x)  
D(4x)



14. INSTALL "A" CAM SCREWS AND "D" DOWELS TO BACK ⑦. INSTALL "B" KLIX CAMS TO PANELS ⑩r ⑪l & ⑥. CONNECT ⑦ TO ⑩r ⑪l & ⑥ USING INSTALLED "A" CAM SCREWS, "D" DOWELS & "B" KLIX CAMS. TIGHTEN.

A(10x)  
B(10x)  
D(4x)

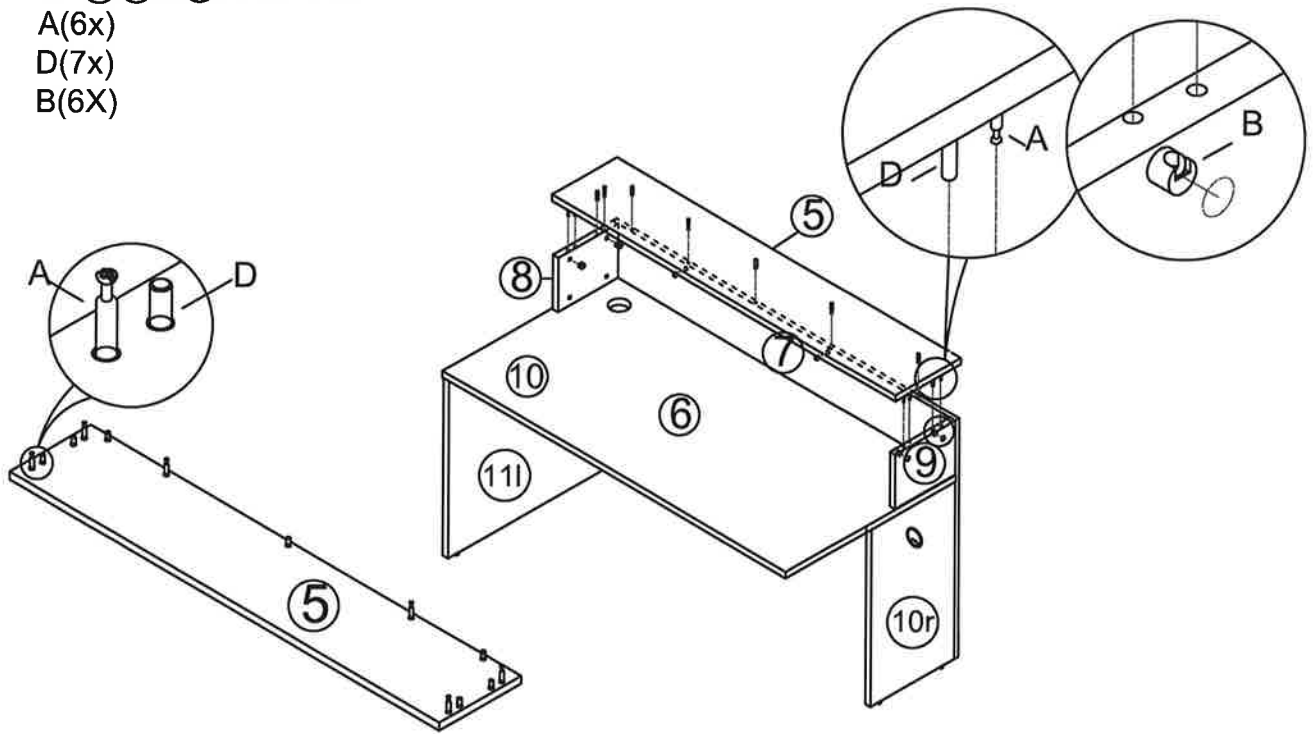


15. INSTALL "A" CAM SCREWS & "D" WOOD DOWELS ON THE UNDERSIDE OF COUNTER TOP (5), THEN INSTALL "B" KLIX CAMS ON PANELS (7) (8) & (9), CONNECT COUNTER (5) ON TOP OF (8) (9) & (7). TIGHTEN.

A(6x)

D(7x)

B(6X)

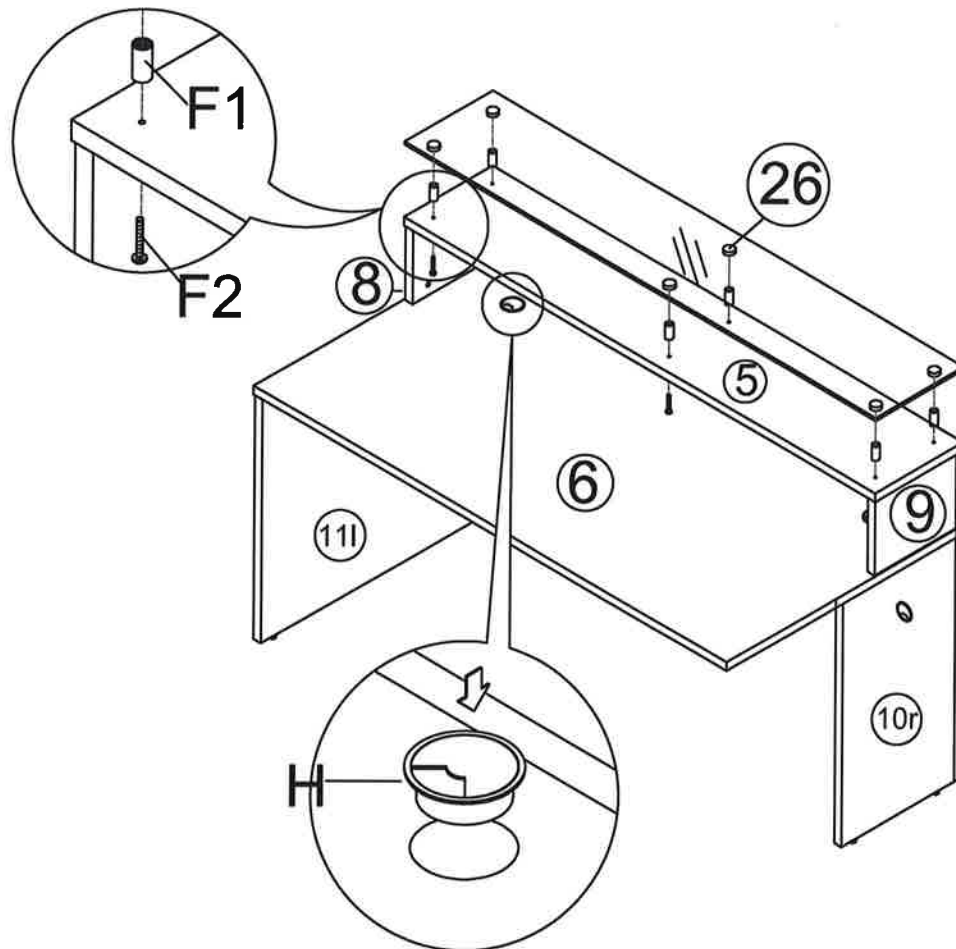


16. INSTALL THE GLASS COUNTER TOP (26) USING "F1" GLASS SPACERS AND "F2" SCREWS. INSTALL "H" GROMMETS ON TOP (6).

F1(6x)

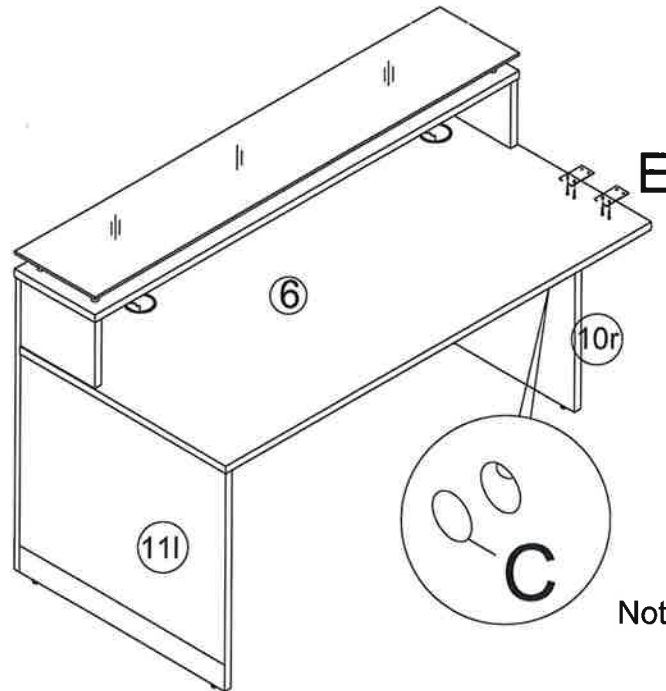
F2(6x)

H(2x)

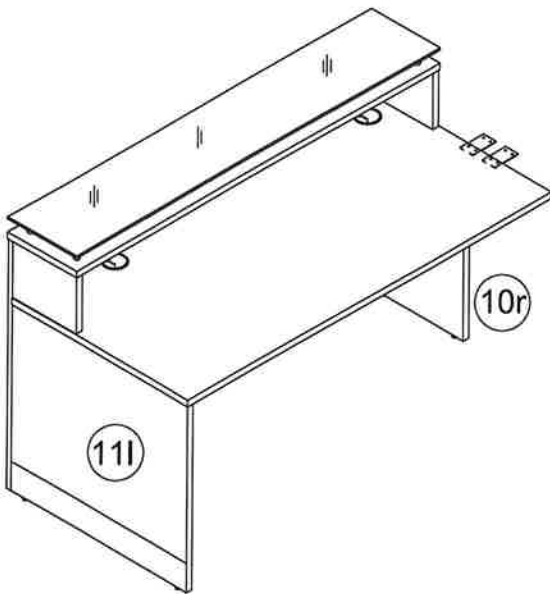


17. INSTALL "C" CAM COVER STICKERS TO COVER ALL EXPOSED KLIX CAMS AND INSTALL "E" BRACKET UNDER DESK TOP ⑥.

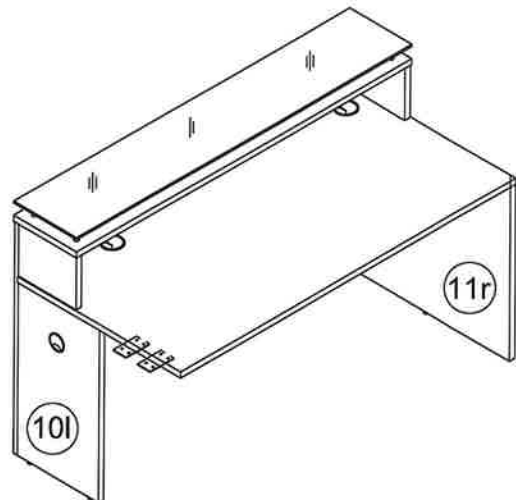
- C(26X)
- E1(2X)
- E2(4X)



18. COMPLETE(READY TO ATTACH TO ANOTHER DESK.)



Ready to attach to the left side of another desk.

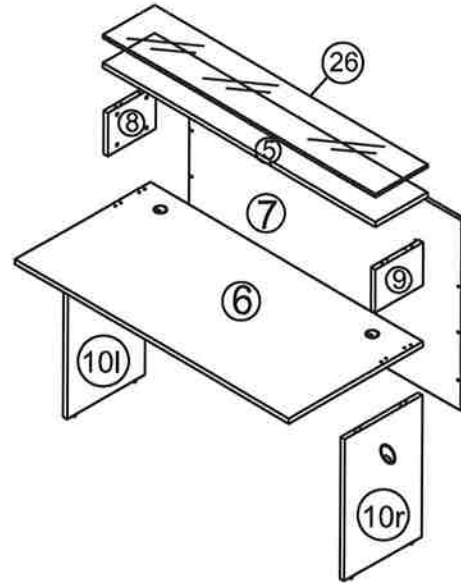


Ready to attach to the right side of another desk.

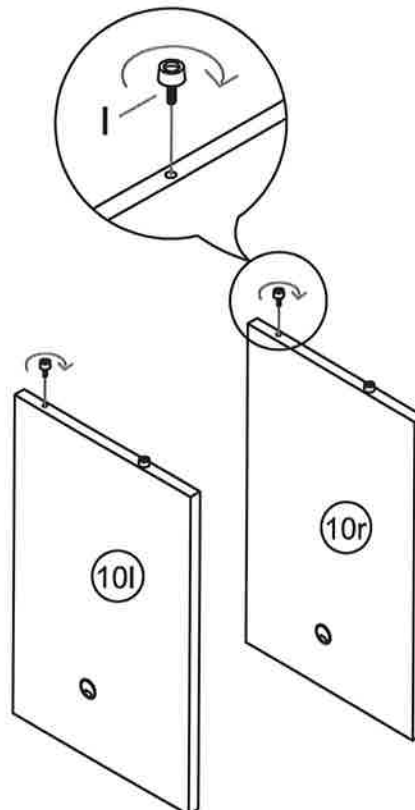
OPTION 3: FOLLOW STEPS 19 THROUGH 27 TO CREATE A DESK TO GO BETWEEN TWO OTHER DESKS.

## PARTS LIST

- ⑤ COUNTER TOP
- ⑥ DESK TOP
- ⑦ BACK
- ⑧⑨ COUNTER SUPPORTS
- ⑩l LEFT SMALL SIDE PANEL
- ⑩r RIGHT SMALL SIDE PANEL
- ⑳ GLASS COUNTER TOP



19. INSTALL THE "I" LEVELERS ON THE BOTTOM OF ⑩ SIDE PANELS.  
1(4x)

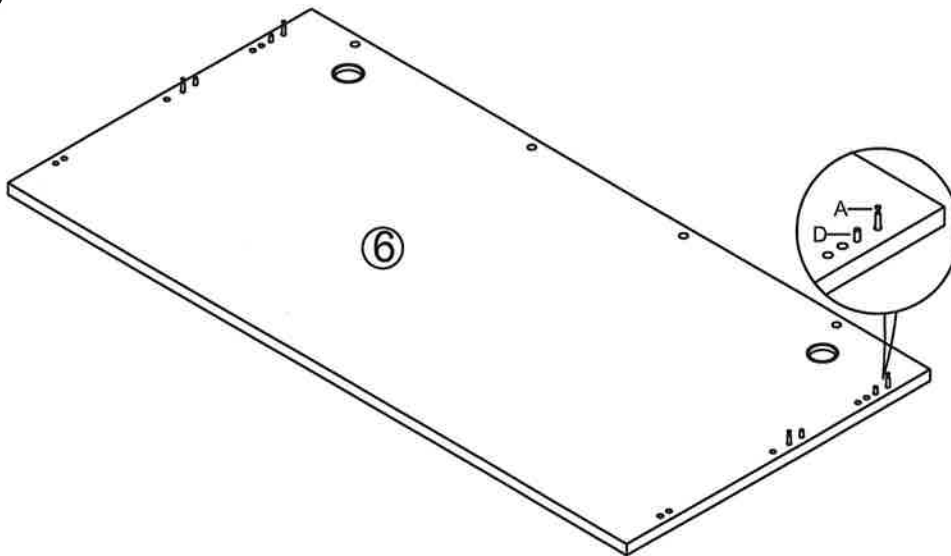




20. INSTALL "A" CAM SCREWS & "D" WOOD DOWELS TO THE UNDERSIDE OF DESK TOP ⑥.

A(4x)

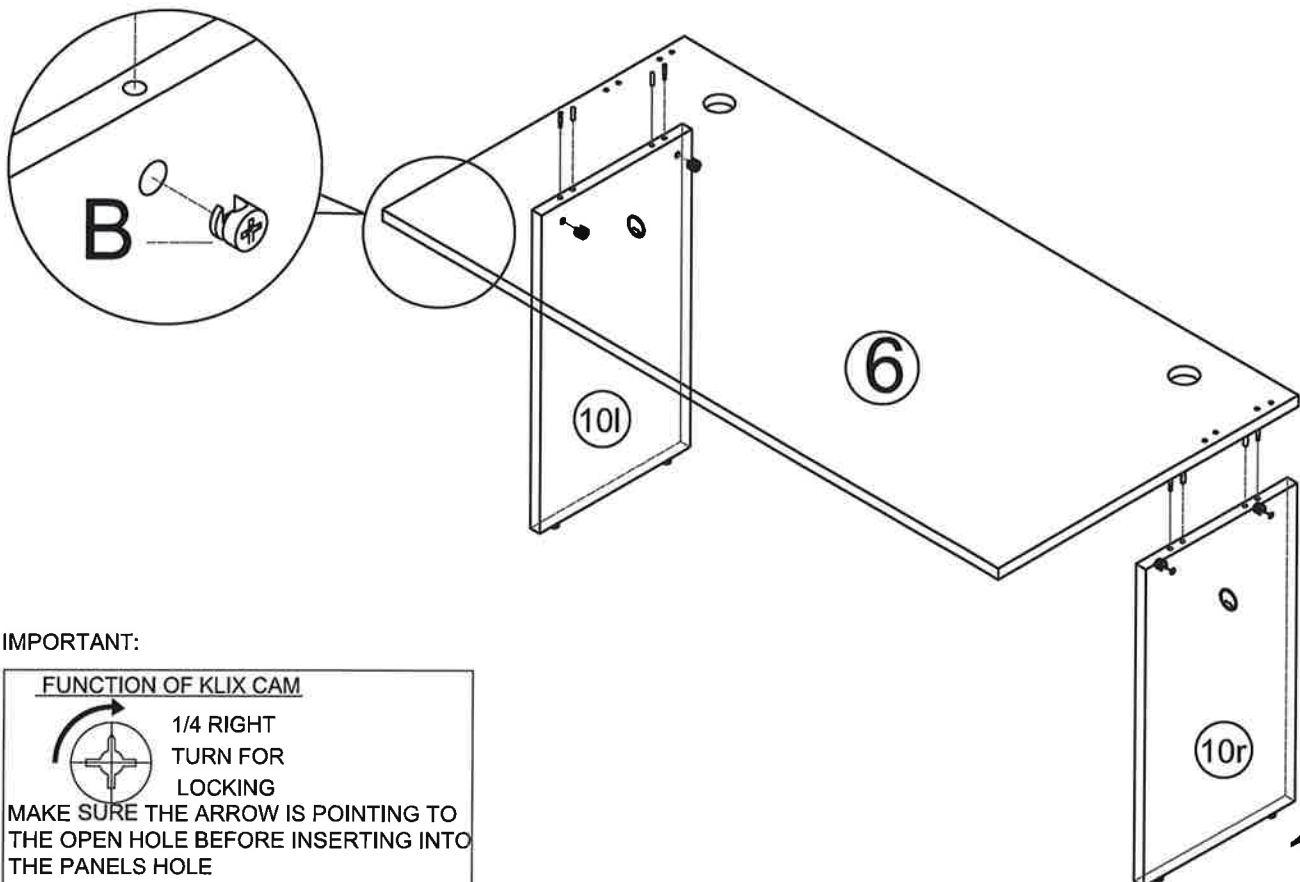
D(4X)



Notes:

As the desktop needs to be able to attach to side panels ⑪ and ⑩ there will be some empty holes.

21. INSERT "B" KLIX CAMS TO SIDE PANELS ⑩l & ⑩r, THEN CONNECT TO THE DESK TOP ⑥ USING THE "A" CAM SCREWS AND "D" DOWELS. TIGHTEN.  
B(4X)



IMPORTANT:

FUNCTION OF KLIX CAM



1/4 RIGHT  
TURN FOR  
LOCKING

MAKE SURE THE ARROW IS POINTING TO  
THE OPEN HOLE BEFORE INSERTING INTO  
THE PANELS HOLE

15.

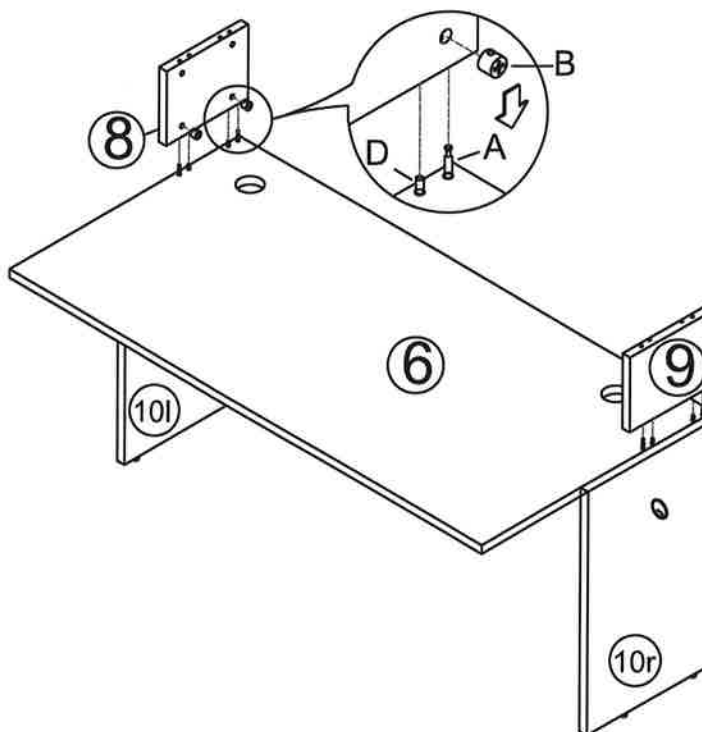


22. INSTALL "A" CAM SCREWS AND "D" DOWELS ON DESK TOP ⑥, INSTALL "B" KLIX CAMS ON SUPPORTS ⑧ & ⑨, THEN CONNECT SUPPORTS ⑧ & ⑨ TO TOP ⑥ USING "B" KLIX CAM. TIGHTEN.

A(4x)

B(4x)

D(4x)

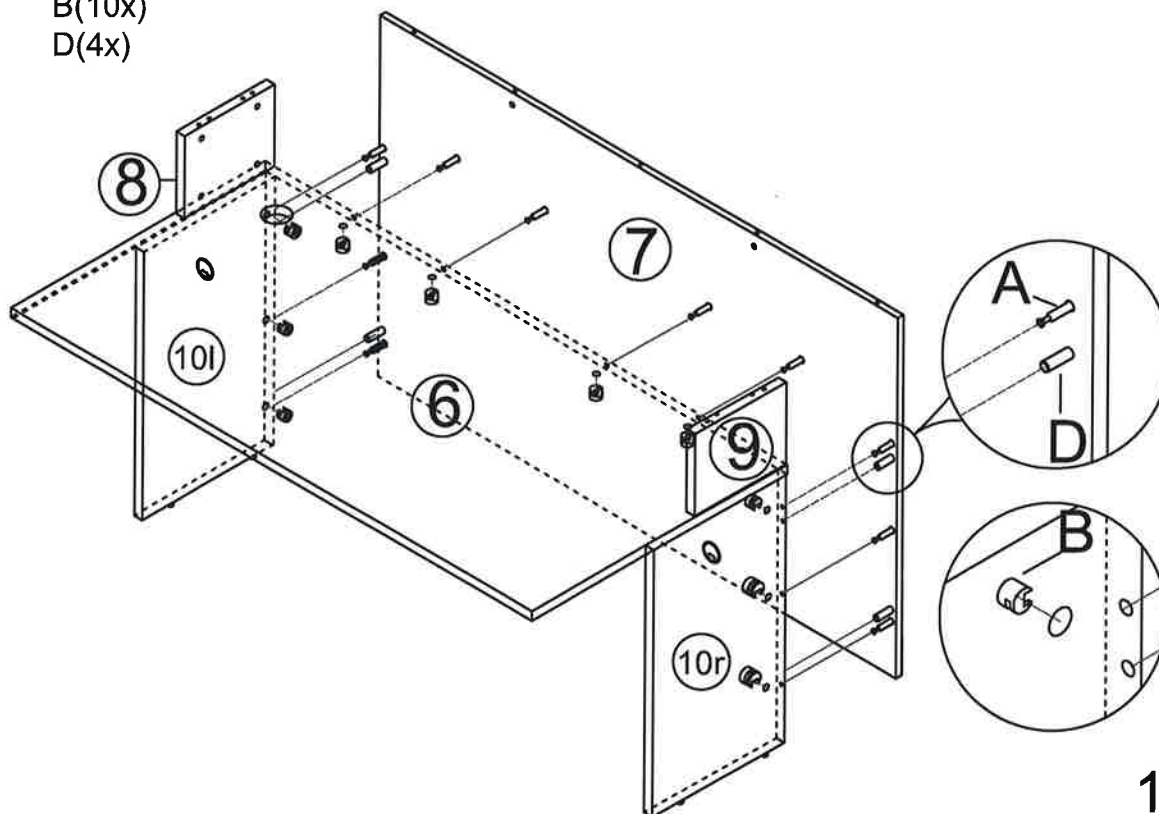


23. INSTALL "A" CAM SCREWS AND "D" DOWELS TO BACK ⑦. INSTALL "B" KLIX CAMS TO PANELS ⑩ & ⑥. CONNECT ⑦ TO ⑩ & ⑥ USING INSTALLED "A" CAM SCREWS, "D" DOWELS & "B" KLIX CAMS. TIGHTEN.

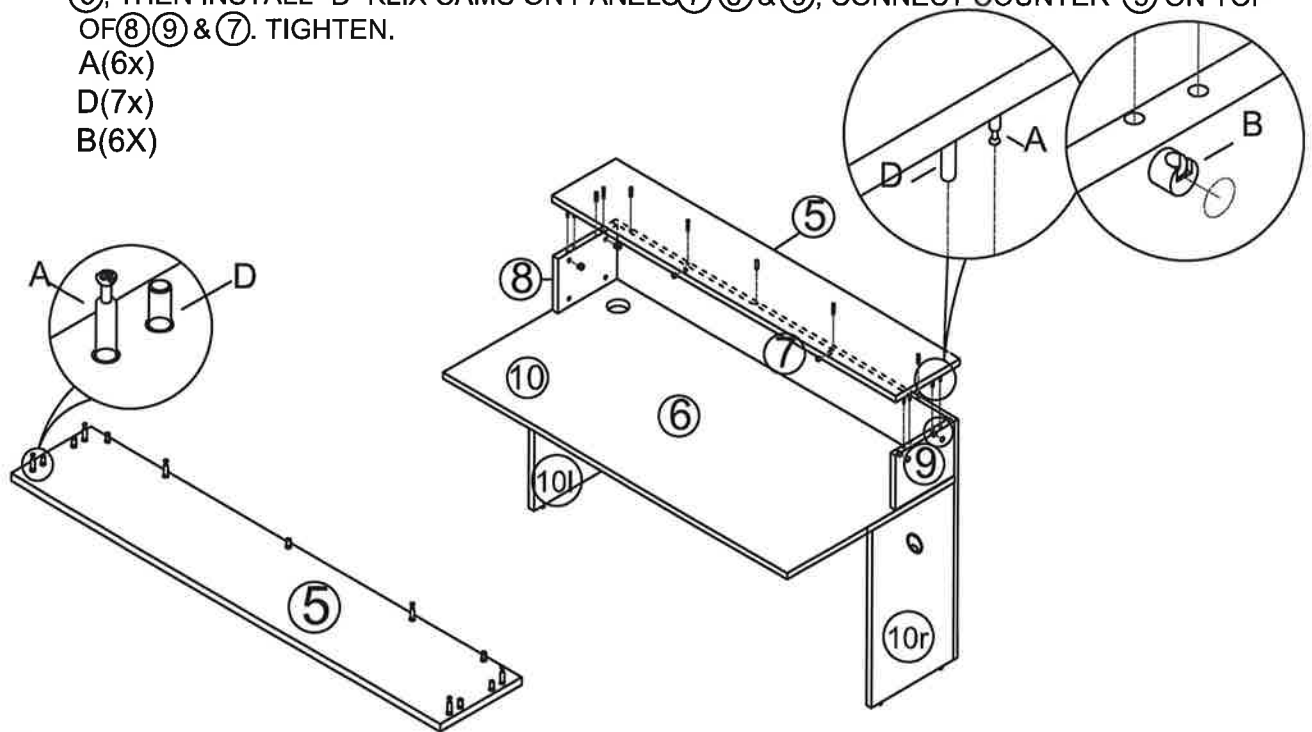
A(10x)

B(10x)

D(4x)

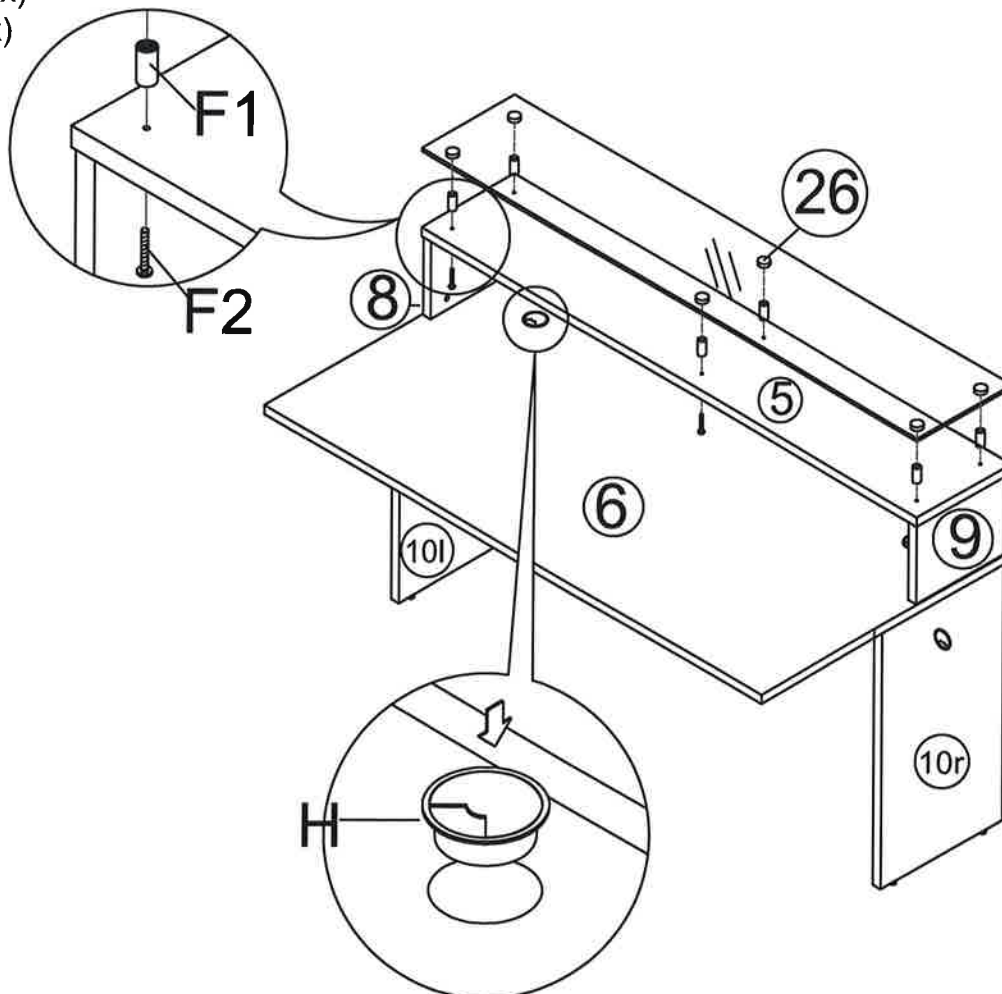


24. INSTALL "A" CAM SCREWS & "D" WOOD DOWELS ON THE UNDERSIDE OF COUNTER TOP (5), THEN INSTALL "B" KLIX CAMS ON PANELS (7) (8) & (9), CONNECT COUNTER (5) ON TOP OF (8) (9) & (7). TIGHTEN.  
 A(6x)  
 D(7x)  
 B(6X)



25. INSTALL THE GLASS COUNTER TOP (26) USING "F1" GLASS SPACERS AND "F2" SCREWS. INSTALL "H" GROMMETS ON TOP (6).

F1(6x)  
 F2(6x)  
 H(2x)

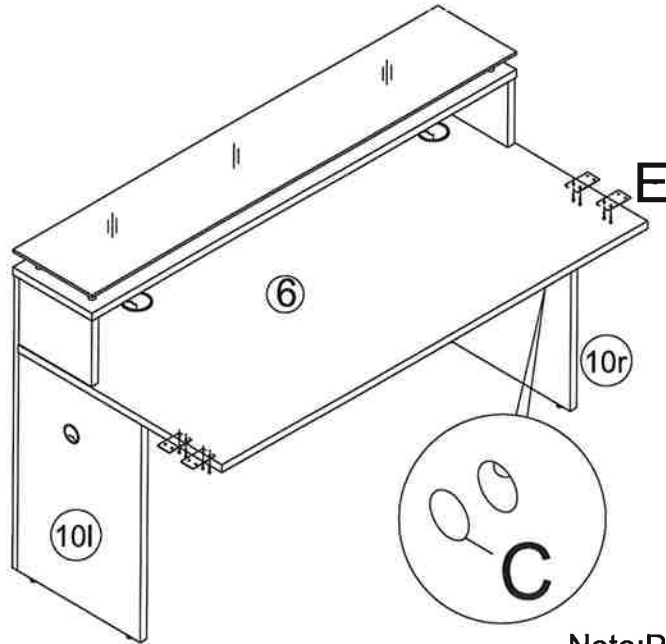


26. INSTALL "C" CAM COVER STICKERS TO COVER ALL EXPOSED KLIX CAMS AND INSTALL "E" BRACKET UNDER DESK TOP ⑥.

C(26X)

E1(4X)

E2(8X)



Note: Press in to fit.

27. COMPLETE( READY TO ATTACH BETWEEN TWO DESKS.)

