




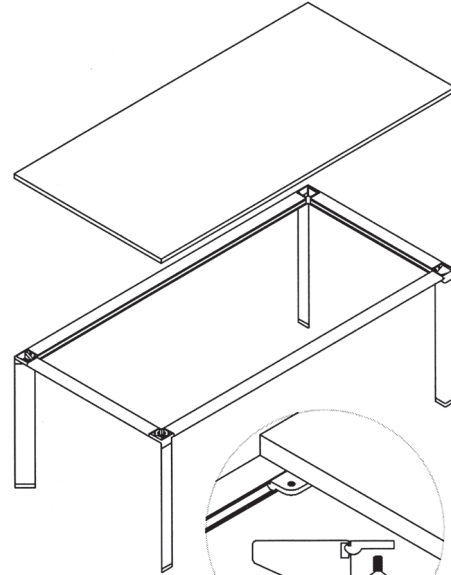


Congratulations on the purchase of your new *Efficient* table!

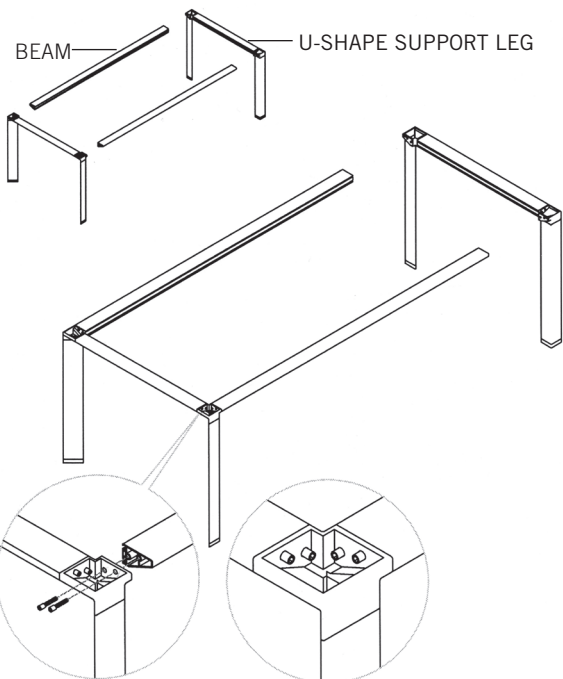
ITEM	DESCRIPTION	QTY.
① 	desktop bracket (black plastic)	6
② 	flat-head screw	12
③ 	inner hex screw	8
④ 	M6 hex wrench (with ball end)	1
⑤ 	M4 hex wrench	1

STEP 2 Hook the plastic connectors into the channel on the beams and slide along the channel until it's lined up with the pre-drilled holes in the table top.



Attach the table top using small flat-head screws and the M4 wrench.

STEP 1 Fasten the beams to the u-shape support legs using the inner hex screws and M6 hex wrench.



STEP 3 Finished! Please use 2-3 people to turn the table upright.

