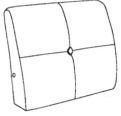







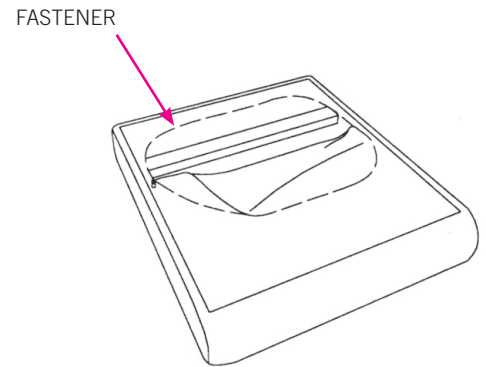


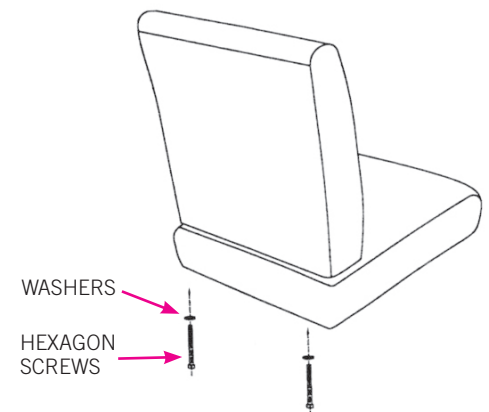
Congratulations on the purchase of your new *Efficient* chair!

ITEM	DESCRIPTION	QTY.
① 	BACK CUSHION	1
② 	SEAT CUSHION	1
③ 	LEFT FRAME	1
④ 	RIGHT FRAME	1
⑤ 	HEXAGON SCREW	10
⑥ 	SCREW COVER	8
⑧ 	WASHER/SPACER	2
⑨ 	WRENCH	1

STEP 1 Fully open the slide fastener on the bottom of seat cushion (#2).



STEP 2 Fasten the back (#1) to the seat cushion using the hexagon screws (#5) and washers (#8).



STEP 3 Fasten the arms (3# & #4) to the back/seat cushion with the cross screws (#5). Then add screw covers (#6).

